



# **ONION ROD LIFTER AND ONION FLUFFER OWNERS MANUAL**

Manual Number 071797-RL

**Parma Company**

---

P.O. Box 190 • 101 Main St. • Parma, Idaho 83660 • (208) 722-5116

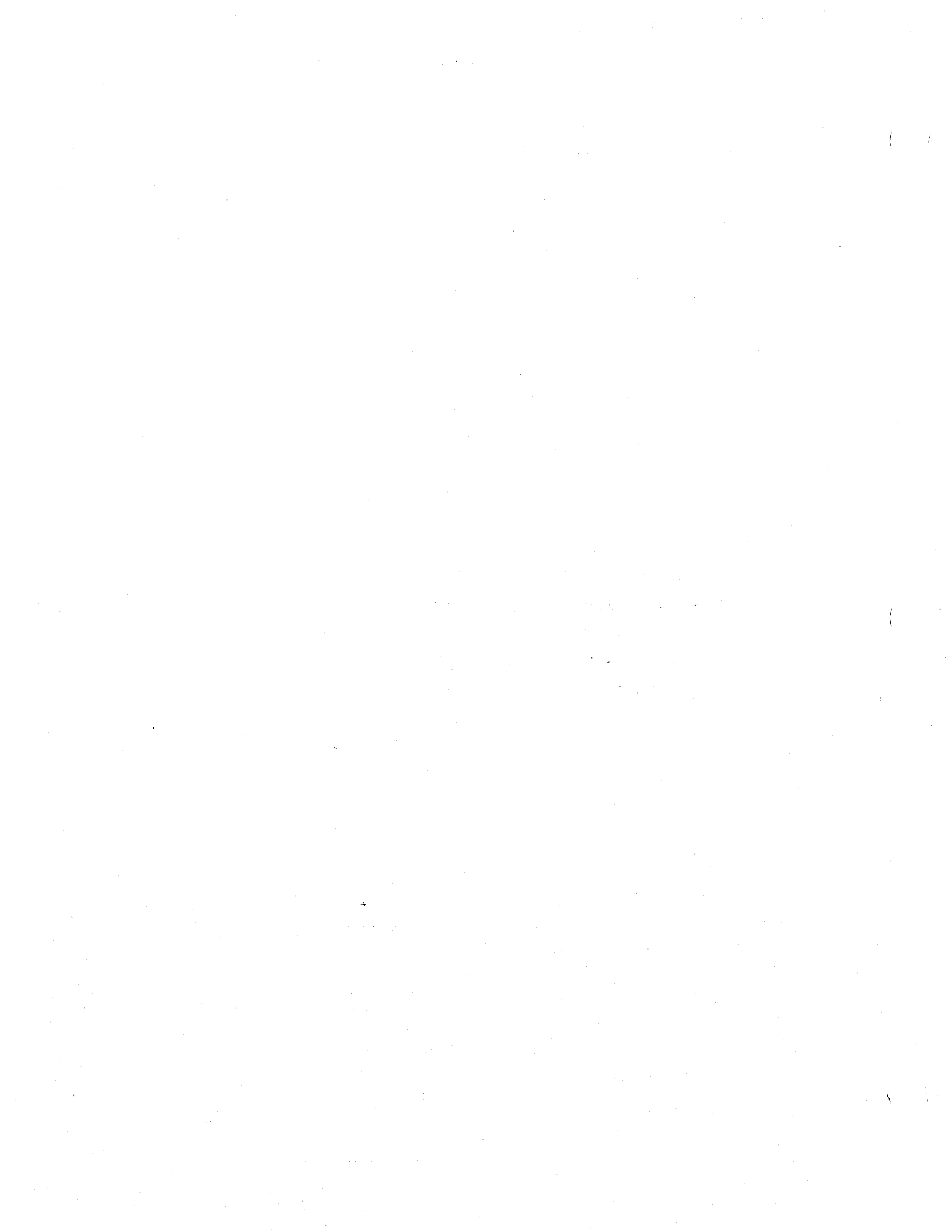


PARMA ONION ROD LIFTER AND SINGLE & DBL WIDE FLUFFERS  
OWNERS MANUAL

SECTION I - Safety	Page No.
SAFETY DECALS - - - - -	2
SAFETY PRECAUTIONS - - - - -	3
CHECK LIST - - - - -	4

SECTION II - Parts

ONION ROD LIFTER ASSEMBLY - - - - -	6
SINGLE WIDE FLUFFER ASSEMBLY - - - - -	10
DOUBLE WIDE FLUFFER ASSEMBLY - - - - -	12
ROD LIFTER DRIVELINE ASSEMBLY - - - - -	14
FLUFFER DRIVELINE ASSEMBLY - - - - -	15



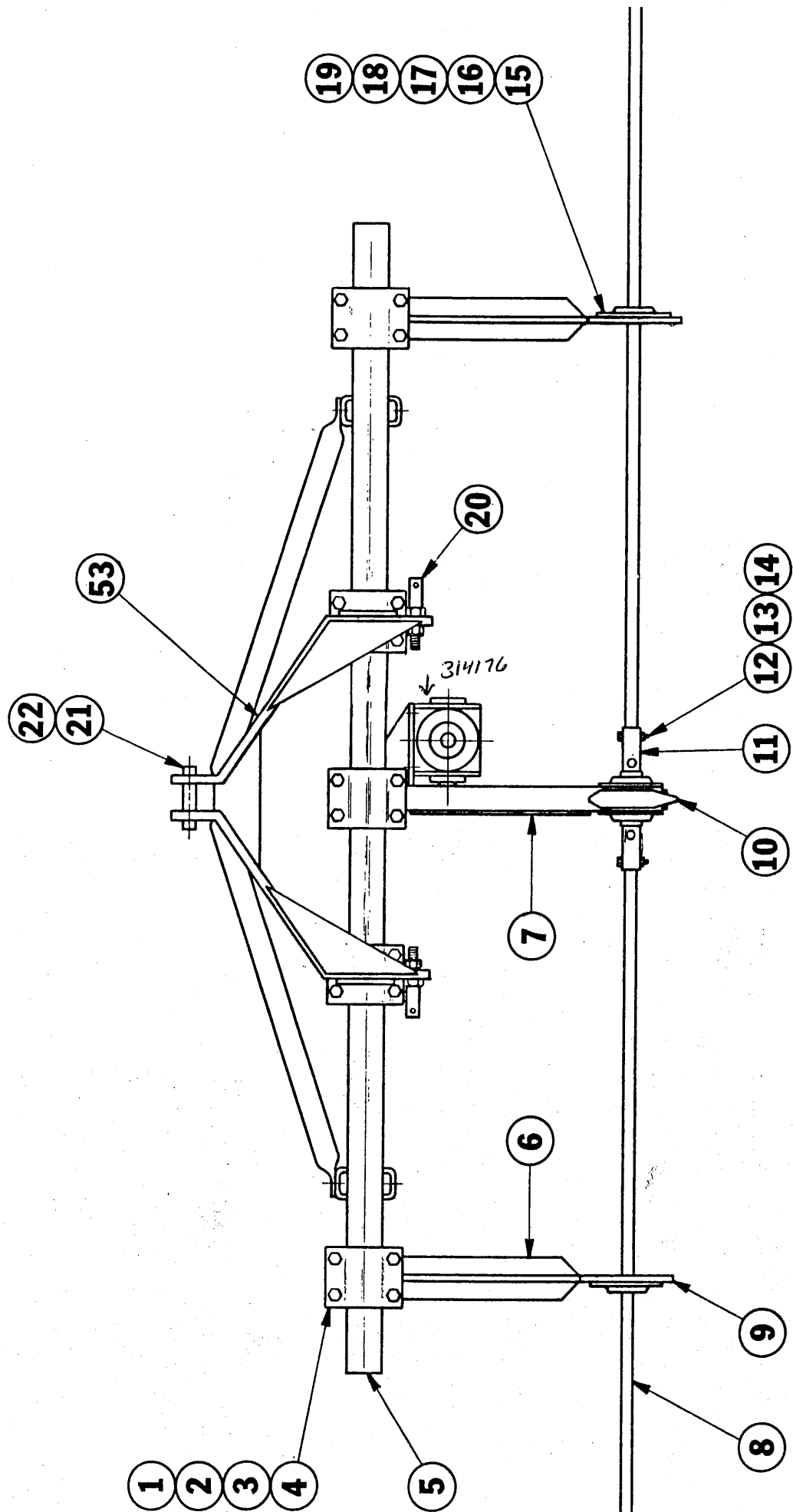
# **SECTION II**

## **PARTS**

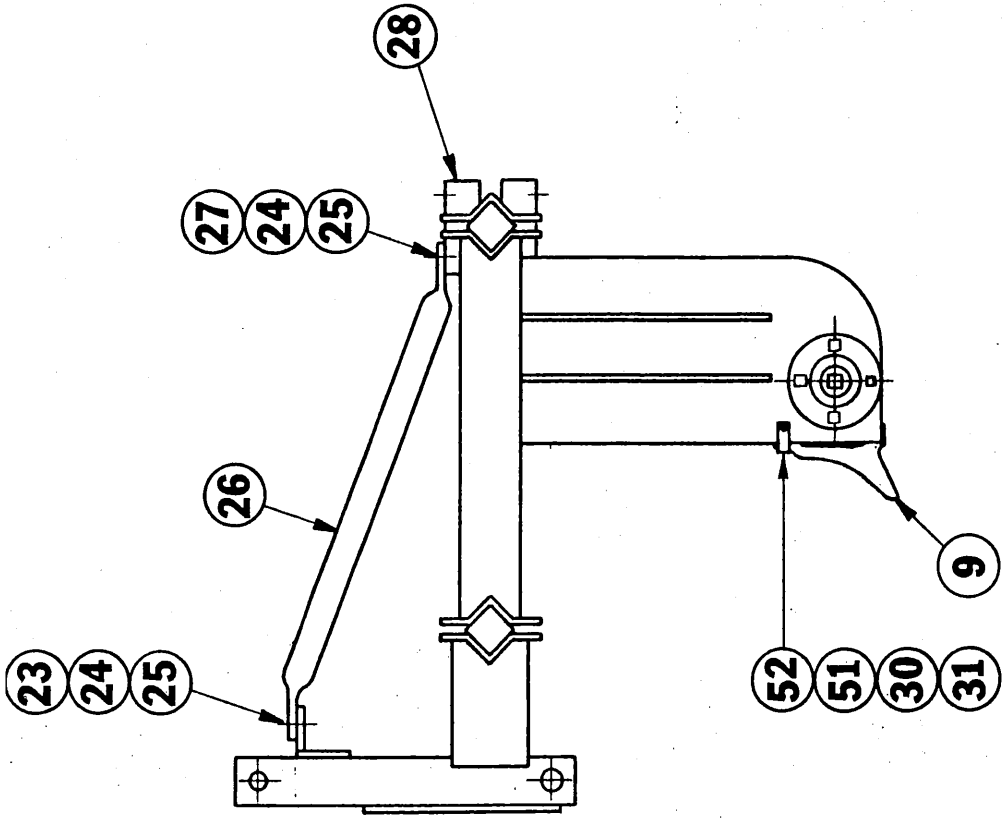
ONION ROD LIFTER ASSEMBLY

PART NO. 340000

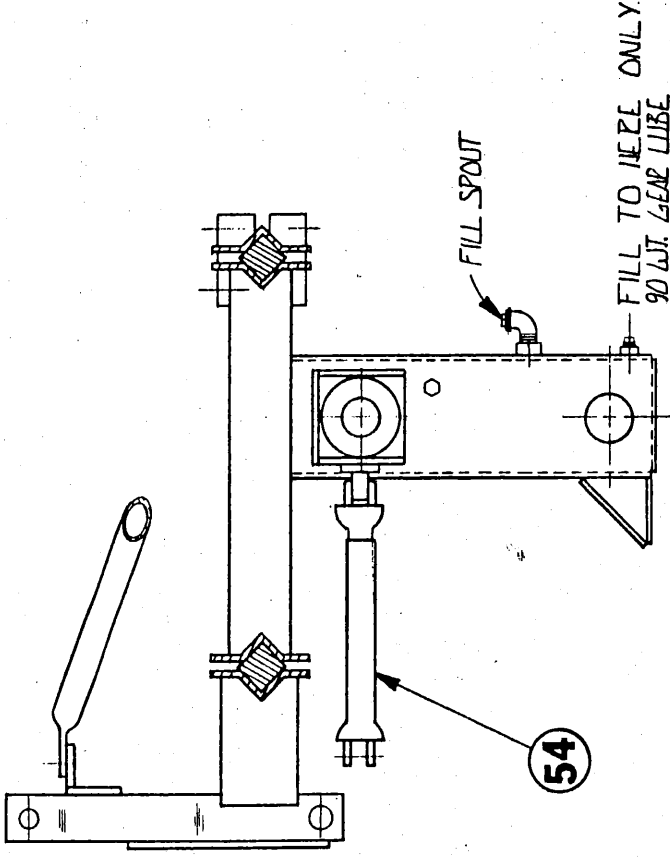
ITEM	QUANTITY	PART NO.	DESCRIPTION
1	8	340006	Half Clamp
2	32	_____	Hex Bolt 5/8-11 UNC X 2 1/2
3	33	_____	Hex Nut 5/8-11 UNC
4	32	_____	Lockwasher 5/8
5	2	_____	H.R. Sq. 2 1/4 x 2 1/4 x 96
6	2	340008	Outer Stanchion
7	1	340007	Center Stanchion
8	2	340003	Rod Lifter Bar
9	2	340010	Cultivator Point - RH 255
10	1	340011	Empire Plow Reversible Point #DF IOUA 1 3/4 x 1/4 x 11
11	2	340012	Coupler
12	4	_____	Hex Bolt 5/16-18UNC x 1 3/4
13	4	_____	Hex Nut 5/16-18UNC, Nylock
14	4	_____	Lockwasher 5/16
15	4	980137	Flangette - Fafnir 80 MSC -2
16	2	980161	Bearing - 1" SQ.
17	8	_____	Carriage Bolt 1/2-13 UNC x 1 1/2
18	8	_____	Hex Nut 1/2 - 13 UNC
19	12	_____	Lockwasher - 1/2
20	2	340016	Lower Hitch Pin Speeco # 721
21	1	340019	Upper Hitch Pin
22	2	_____	1/8 Hairpin Cotter
23	1	_____	Hex Bolt 3/4-10 UNC x 1 1/2
24	5	_____	Hex Nut 3/4-10 UNC
25	5	_____	Lockwasher -3/4
26	2	340017	Brace
27	4	_____	Hex Bolt 3/4 - 10 UNC x 6 1/2
28	4	330164	Half Clamp
29	4	980136	Flangette - 3 Hole Fafnir 72 MSC 2
30	8	_____	Hex Nut 3/8 - 16 UNC
31	8	_____	Lockwasher 3/8
32	2	980087	Bearing - 1 3/8
33	1	340004	Rod Lifter Shaft
34	2	340020	Spacer
35	1	340014	Sprocket
36	1	_____	Keystock 5/16 Sq. x 15/16
37	1	340013	Skid Plate
38	2	_____	Flathead Screw 3/8-16 UNC x 3/4
39	4	_____	Hex Bolt 1/2-13 UNC x 1 1/4
40	1	340015	Spacer
41	1	340001	Upper Drive Sprocket
42	1	_____	Keystock 5/16 Sq. x 1
43	As Required	_____	Flatwasher 3/8
44	1	999319	Retaining Ring-External N5100-62
45	As Required	980908	RC60 Roller Chain
46	1	980925	Master Link-RC60
47	If Required	980937	Half Link-RC60
48	1	999247	Gearbox HC 314176 Superior
49	1	340009	Idler Shaft Weldment
50	1	340030	Idler Sprocket 60 A11
51	2	_____	Hex bolt 3/8-16 UNC x 1 1/8
52	2	340021	Strap
53	1	340005	Hitch Weldment
54	1	340024	PTO Assembly



FRONT VIEW



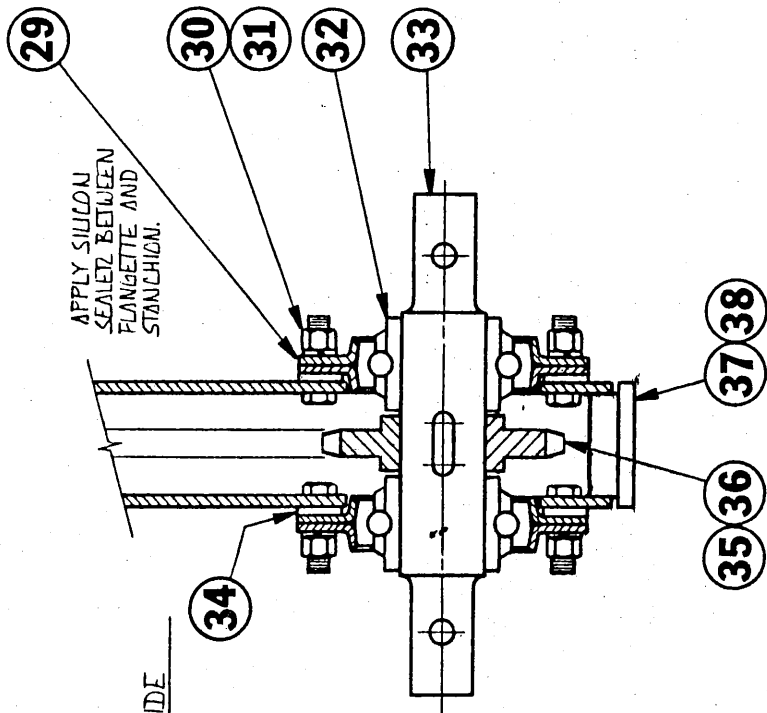
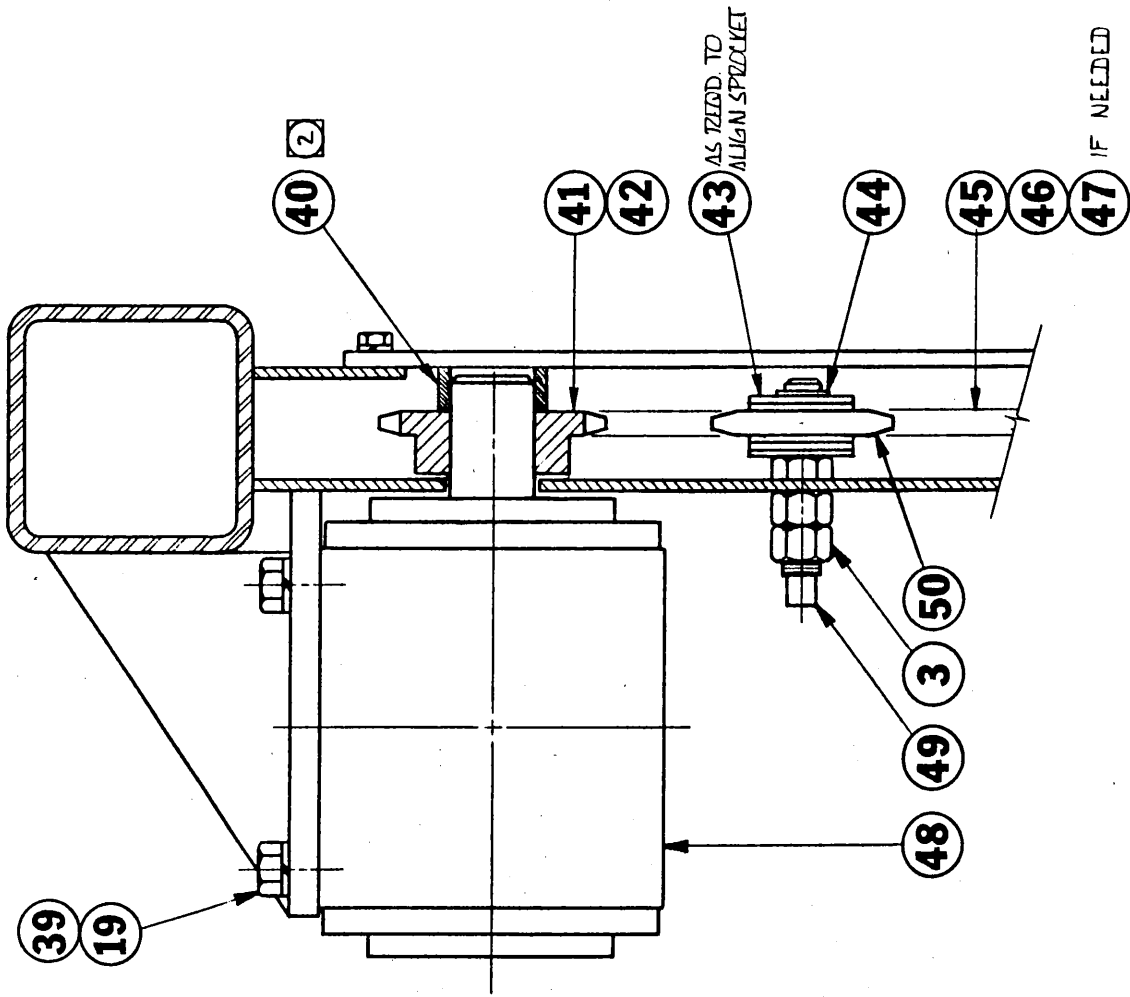
LEFT SIDE VIEW



LEFT SECTION VIEW

**NOTE**  
 1 The length of item 8 is determined by the row spacing  
 For 38" row spacing, cut item 8, 52 3/4" long  
 For 40" row spacing, cut item 8, 55 3/4" long  
 For 42" row spacing, cut item 8, 58 3/4" long  
 For 44" row spacing, cut item 8, 61 3/4" long





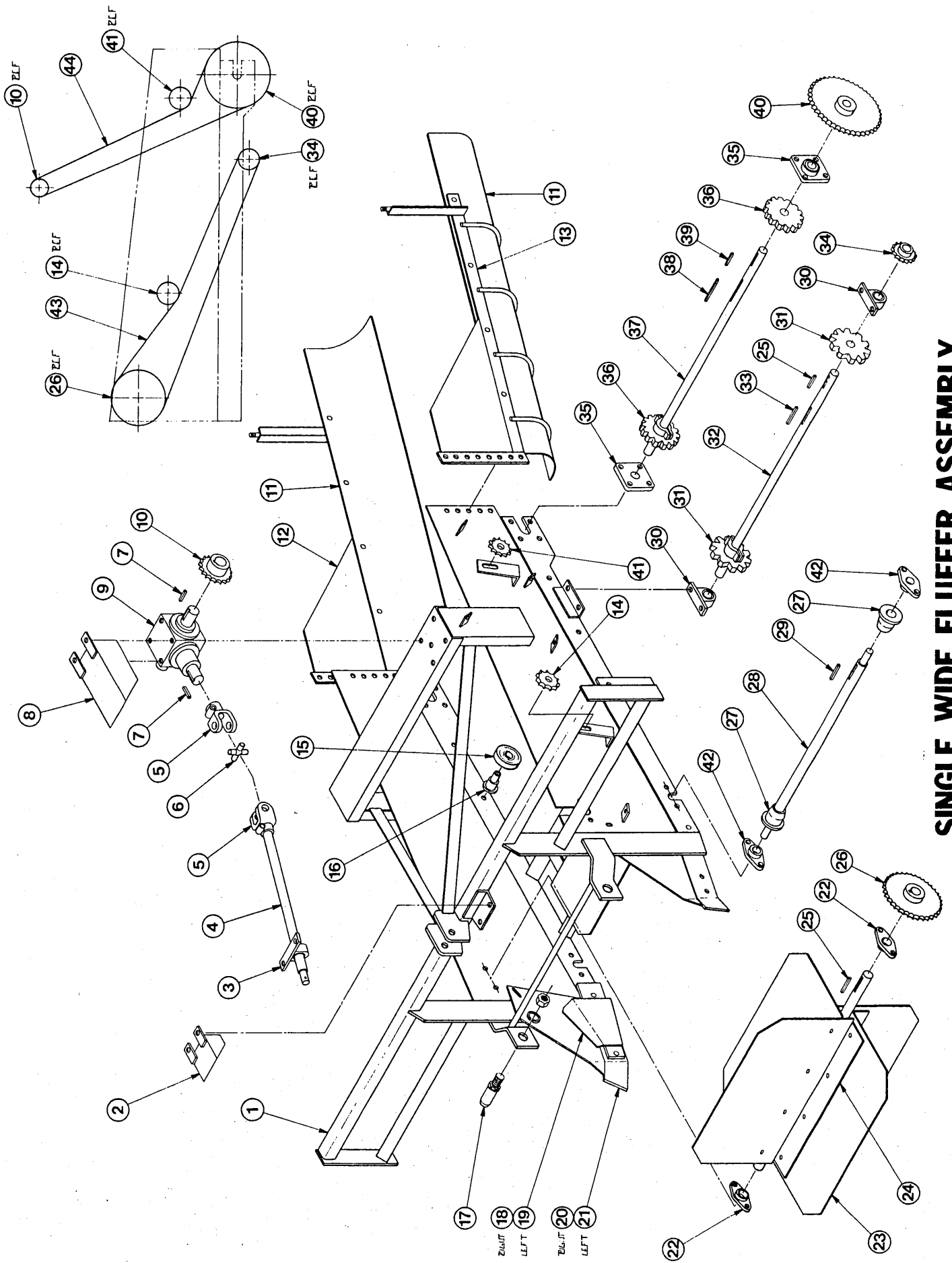
GEARBOX SIDE

GEAR VIEW

SINGLE WIDE FLUFFER ASSEMBLY

PART NO. 320000

ITEM	QUANTITY	PART NO.	DESCRIPTION
1	1	320020	Mainframe Weldment
2	1	320016	Guard Weldment
3	1	980024	Pillow Block Bearing - 1 3/8
4	1	320039	Gearbox Driveshaft
5	2	990623	1 3/8 Smooth Bore Yoke
6	1	990653	Cross #2275
7	2		Keystock 5/16 Sq. x 2
8	1	290460	Gearbox Guard Weldment
9	1	999160	Gearbox - Superior 500 l:l
10	1	980596-1 3/8	Sprocket 60B12-1 3/8 Bore
11	2	320044	Rear Panel Belt
12	1	320024	Right Rear Panel Weldment
13	1	320023	Left Rear Panel Weldment
14	1	980683	RC 50 Idler Sprocket
15	6	300060	4" Rubber Roller
16	6	998502	Nubbin (4" Roller)
17	2	340016	Draw Pin Speeco #721
18	1	300107	Right Cone Shield Weldment
19	1	300132	Left Cone Shield Weldment
20	1	320006	Right Nose Wing Weldment
21	1	320005	Left Nose Wing Weldment
22	2	980186	2 Bolt Flange Bearing - 1"
23	4	320043	Paddle Shaft Belting
24	1	320015	Paddle Shaft Weldment
25	2		Keystock 1/4 Sq. x 2 1/2
26	1	980793-1"	Sprocket 50B38 - 1" Bore
27	2	300050	Cone Roller
28	1	310045	Cone Roller Shaft
29	2		Keystock 1/4 Sq. x 3
30	2	980021	Pillow Block Bearing - 1"
31	2	980481	Split Sprocket 9 Tooth - 1.56 Pitch
32	1	320013	Secondary Driveshaft
33	2		Keystock 1/4 Sq. x 3 1/2
34	1	980570-1"	Sprocket 50B14 - 1 Bore
35	2	980031	4 Bolt Flange Bearing - 1 7/16
36	2	980484	Split Sprocket 14 Tooth 1.56 Pitch
37	1	320012	Primary Driveshaft
38	2		Keystock 1/4 Sq. x 4 1/2
39	1		Keystock 3/8 Sq. x 2 1/2
40	1	980708-1 7/16	Sprocket 60B48 - 1 7/16 Bore
41	1	980685	RC60 Idler Sprocket
42	2	980184	2 Bolt Flange Bearing - 1"
43		980906	RC50 Roller Chain
44		980908	RC60 Roller Chain
45	95		7/16 x 33 x 1.56 2dn/ st Draper Chain



**SINGLE WIDE FLUFFER ASSEMBLY**

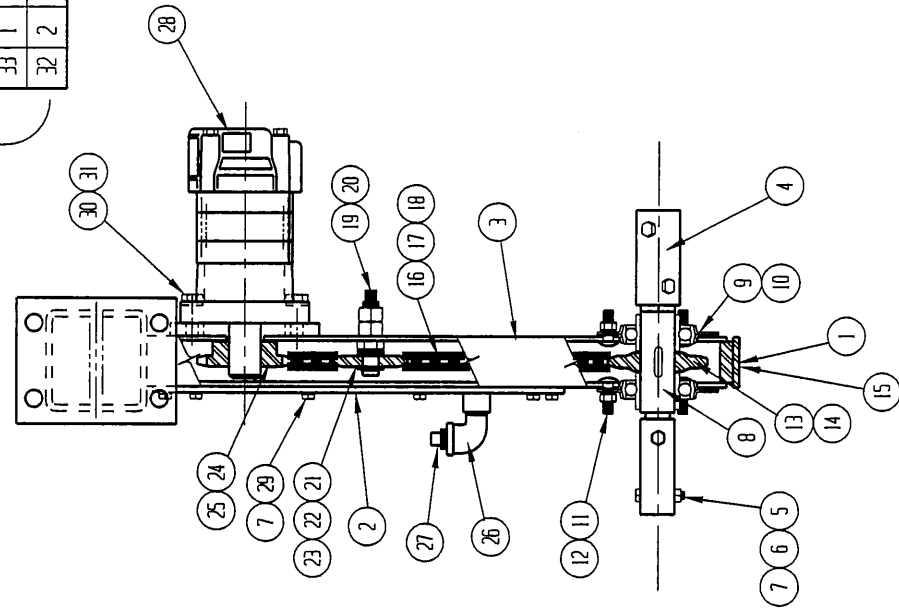
DOUBLE WIDE FLUFFER ASSEMBLY

PART NO. 320001

ITEM	QUANTITY	PART NO.	DESCRIPTION
1	1	320026	Mainframe Weldment
2	1	320016	Guard Weldment
3	4	980024	Pillow Block Bearing-1 3/8
4	1	320039	Gearbox Driveshaft
5	4	990623	1 3/8 Smooth Bore Yoke
6	2	990653	Cross #2275
7	3		Keystock 5/16 Sq. x 2
8	2	290460	Gearbox Guard Weldment
9	1	999160	Gearbox - Superior 500 1:1
10	1	980596-1 3/8	Sprocket 60B12-1 3/8 Bore
11	2	320024	Right Rear Panel Weldment
12	4	320044	Rear Panel Belt
13	2	320023	Left Rear Panel Weldment
14	4	980186	2 Bolt Flange Bearing - 1"
15	2	320006	Right Nose Wing Weldment
16	2	320005	Left Nose Wing Weldment
17	2	300107	Right Cone Shield Weldment
18	2	300132	Left Cone Shield Weldment
19	1	320042	Right Paddle Shaft Weldment
20	1	320034	Coupler
21	8	320043	Paddle Shaft Belting
22	1	320041	Left Paddle Shaft Weldment
23	1		Keystock 1/4 Sq. x 2 1/2
24	1	980793-1"	Sprocket 50B38 - 1" Bore
25	2	340016	Drawpin - Speeco P721
26	12	998502	Nubbin (4" Roller)
27	12	300060	4" Rubber Roller
28	4	980184	2 Bolt Flange Bearing - 1"
29	4	300050	Cone Roller
30	2	310045	Cone Roller Shaft
31	4		Keystock 1/4 Sq. x 2 3/4
32	1	980683	RC 50 Idler Sprocket
33	1	980685	RC 60 Idler Sprocket
34	1	320040	Cross Driveshaft
35	4	980481	Split Sprocket 9 Tooth 1.56 Pitch
36	1	320038	Secondary Driveshaft
37	4		Keystock 5/16 Sq. x 3 1/2
38	1		Keystock 5/16 Sq. x 2 1/2
39	1	980570-1 3/8	Sprocket 50B14-1 3/8 Bore
40	2	980031	4 Bolt Flange Bearing - 1 7/16
41	4	980484	Split Sprocket 14 Tooth 1.56 Pitch
42	1	320037	Primary Driveshaft
43	4		Keystock 3/8 Sq. x 4 1/2
44	1		Keystock 3/8 Sq. x 2 1/2
45	1	980708-1 7/16	Sprocket 60B48 1 7/16 - Bore
46		980906	RC50 Roller Chain
47		980908	RC60 Roller Chain
48	190		7/16 x 1.56 x 33 2 dn/ st Draper Chain

39	2	-	LOCK WASHER: 3/8"
38	2	-	HEX NUT: 3/8-16 UNC
37	2	-	PLAIN BOLT: 3/8-16 UNC X 1 1/2
36	8	-	LOCK WASHER: 5/8"
35	8	-	HEX NUT: 5/8-11 UNC
34	8	-	HEX BOLT: 5/8-11 UNC X 2 1/2
33	1	-	REVERSIBLE POINT (ADAMS # ST-21)
32	2	B	HAUF CLAMP

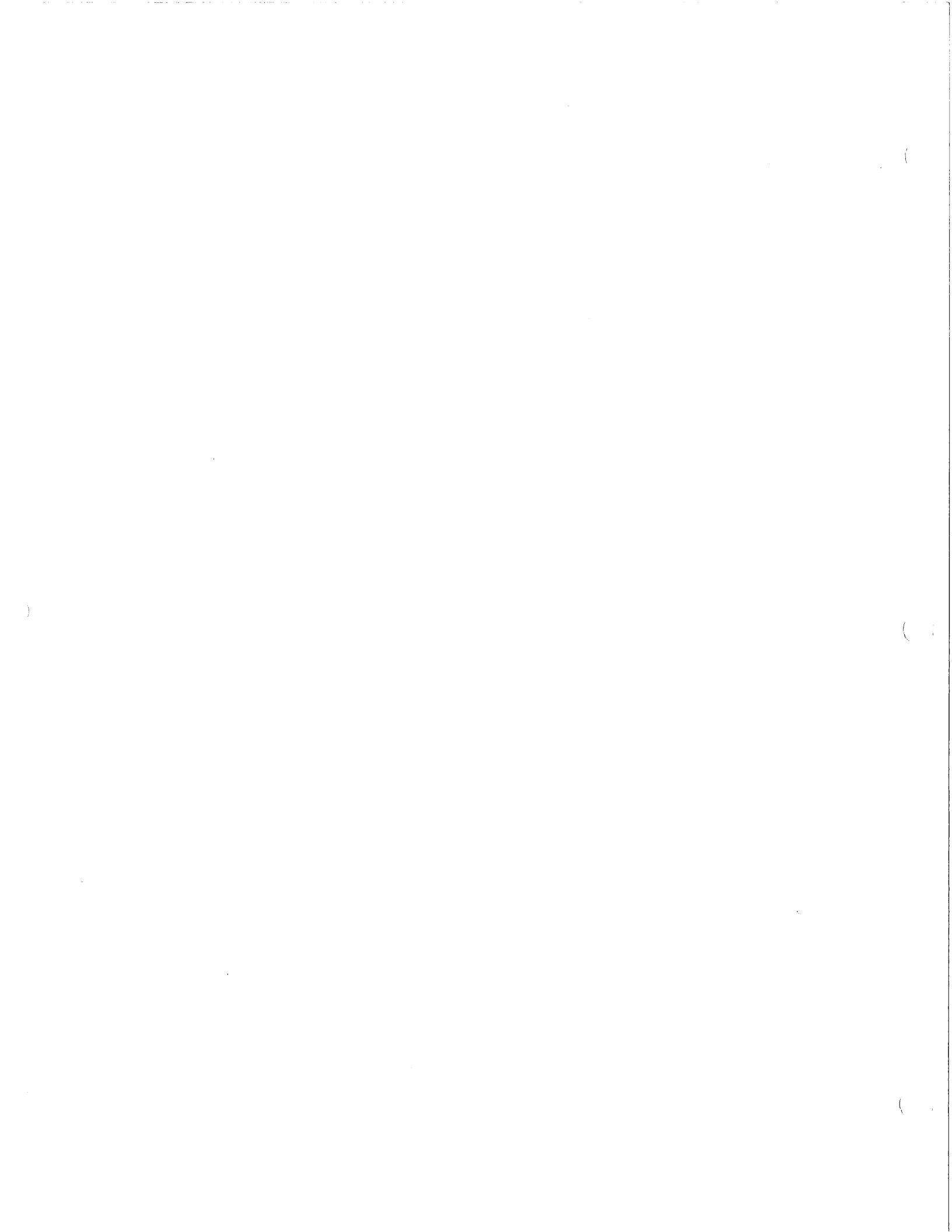
THESE ITEMS  
NOT SHOWN

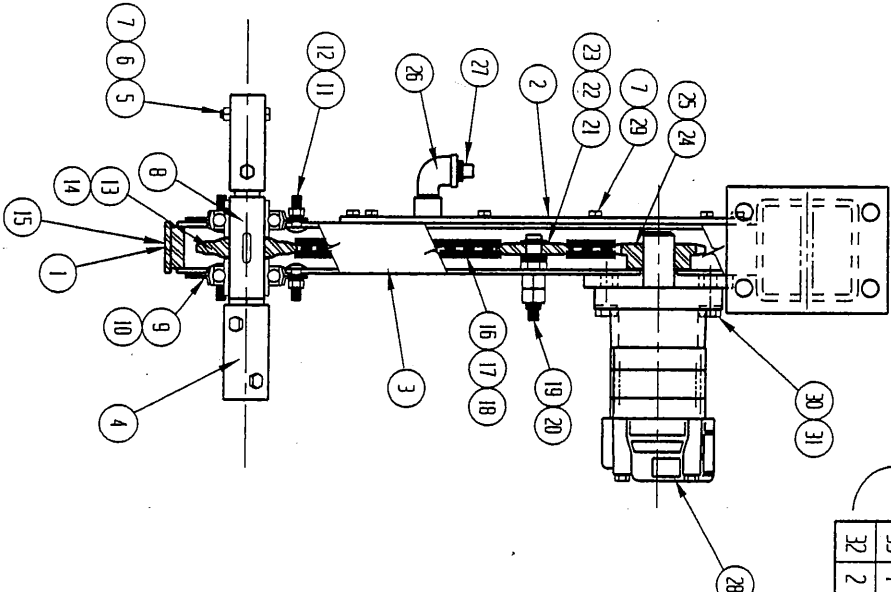


31	2	-	LOCK WASHER: 1/2"
30	2	-	HEX BOLT: 1/2-13 UNC X 1 1/2
29	12	-	HEX BOLT: 5/16-24 UNF X 3/4
28	1	-	HYD. MOTOR: CHURCHMAN 104-1024
27	1	-	PIPE PLUG: 1/2
26	1	-	90 DEG. ST. ELL. - 1/2
25	1	-	KEYSTOCK: 5/16 SQ. X 1
24	1	A	UPPER DRIVE SPROCKET, HMD DRIVE
23	1	-	RETAINING RING-EXTERNAL
22	AR	-	FLATWASHER: 5/8
21	1	-	IDLER SPROCKET 60A11
20	1	-	HEX NUT: 5/8-11 UNC
19	1	B	IDLER SHAFT WELDMENT
18	AR	-	HALF LINK RCGO
17	1	-	MASTER LINK RCGO
16	AR	-	ROLLER CHAIN RCGO
15	2	-	FLAT HEAD SCREW: 3/8-16 UNC X 3/4
14	1	-	KEYSTOCK: 5/16 SQ. X 15/16
13	1	B	SPROCKET
12	6	-	LOCKWASHER: 3/8
11	6	-	HEX NUT: 3/8-16 UNC
10	2	-	BEARING: 1 3/8 FAIRBANKS G110K6P82
9	2	-	FLANGETTE: 3 HOLE, FAIRBANKS 72 HSC2 (PR.)
8	1	A	ROD LIFTER SHAFT
7	16	-	LOCKWASHER: 5/16
6	4	-	HEX NUT: 5/16-18 UNC
5	4	-	HEX BOLT: 5/16-18 UNC X 1 3/4
4	2	A	COUPLER
3	1	C	CENTER STATION WELDMENT
2	1	A	GEARCASE LOWER WELD. (SEE 0340007)
1	1	B	SKID PLATE
ITEM	QTY.	SIZE	DESCRIPTION

P.O. BOX 190 101 MAIN ST.		PARMA, OHIO 44130	
P.A.B. 00000		REV. SHEET 1 OF 1	
CENTER STATION ASSY. (HYDRAULIC)		DRAWN: E.C. REV. ASSEMBLY: 00000	
MANUFACTURING TO DIMENSIONS		APPROVED: B.F. REV. SHEET 1 OF 1	
FRACTION: 1/16		REV. NO. C340045	
DECIMALS: 1/100		DRAWING NO. C340045	
ANGLES: 1/4		REV. B	
		SCALE	

B	ITEM # 24 WAS 980598	RK	9/6/00
A	ADDED ITEMS #32 - 39	KC	4/6/00
REV.	REVISIONS	BY	DATE



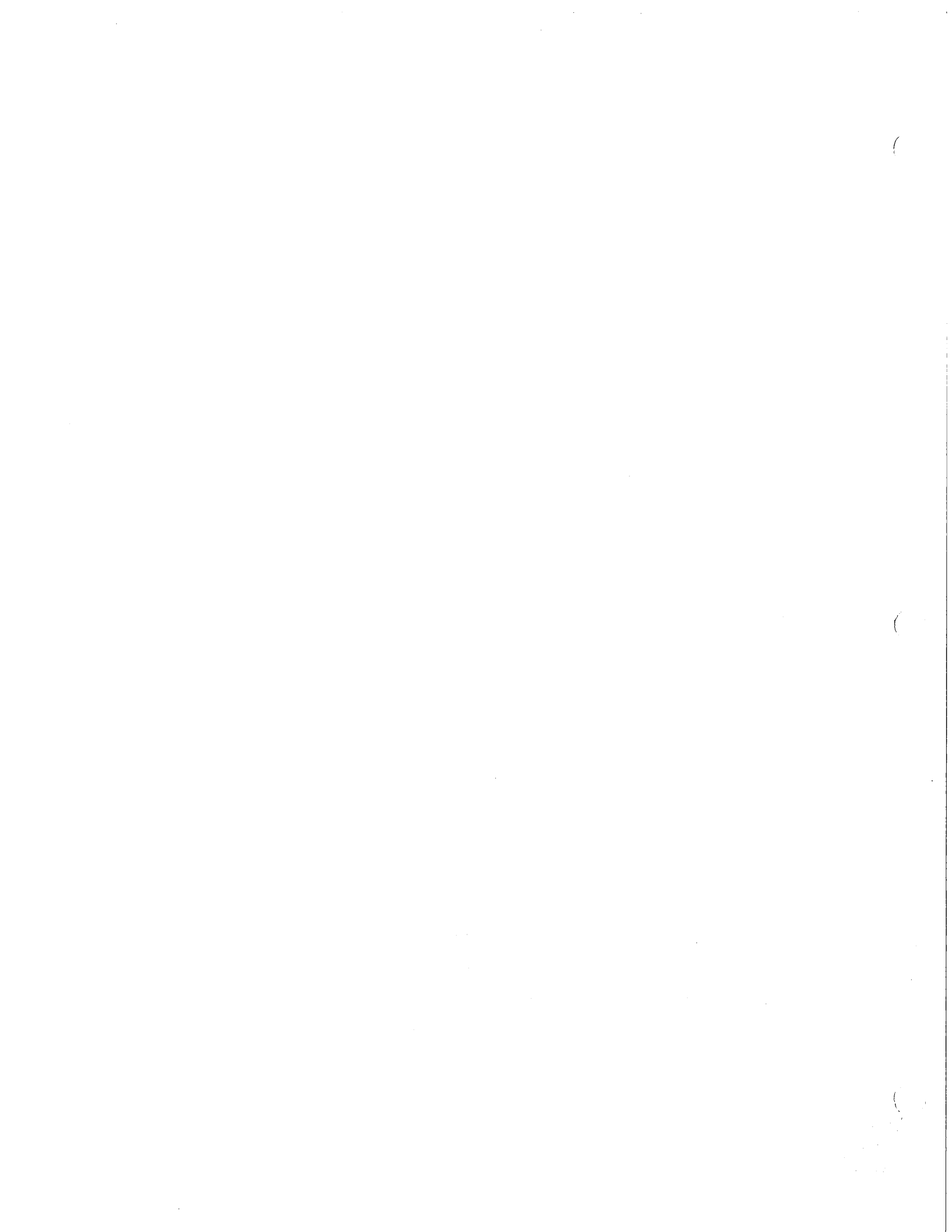


ITEM	QTY	SIZE	DESCRIPTION
39	2	-	LOCK WASHER: 3/8"
38	2	-	HEX NUT: 3/8-16 UNC
37	2	-	FLAT BOLT: 3/8-16 UNC X 1 1/2
36	8	-	LOCK WASHER: 5/8"
35	8	-	HEX NUT: 5/8-11 UNC
34	8	-	HEX BOLT: 5/8-11 UNC X 2 1/2
33	1	-	REVERSIBLE ROLLER (ADAMS # ST-21)
32	2	B	HAUF CLAMP

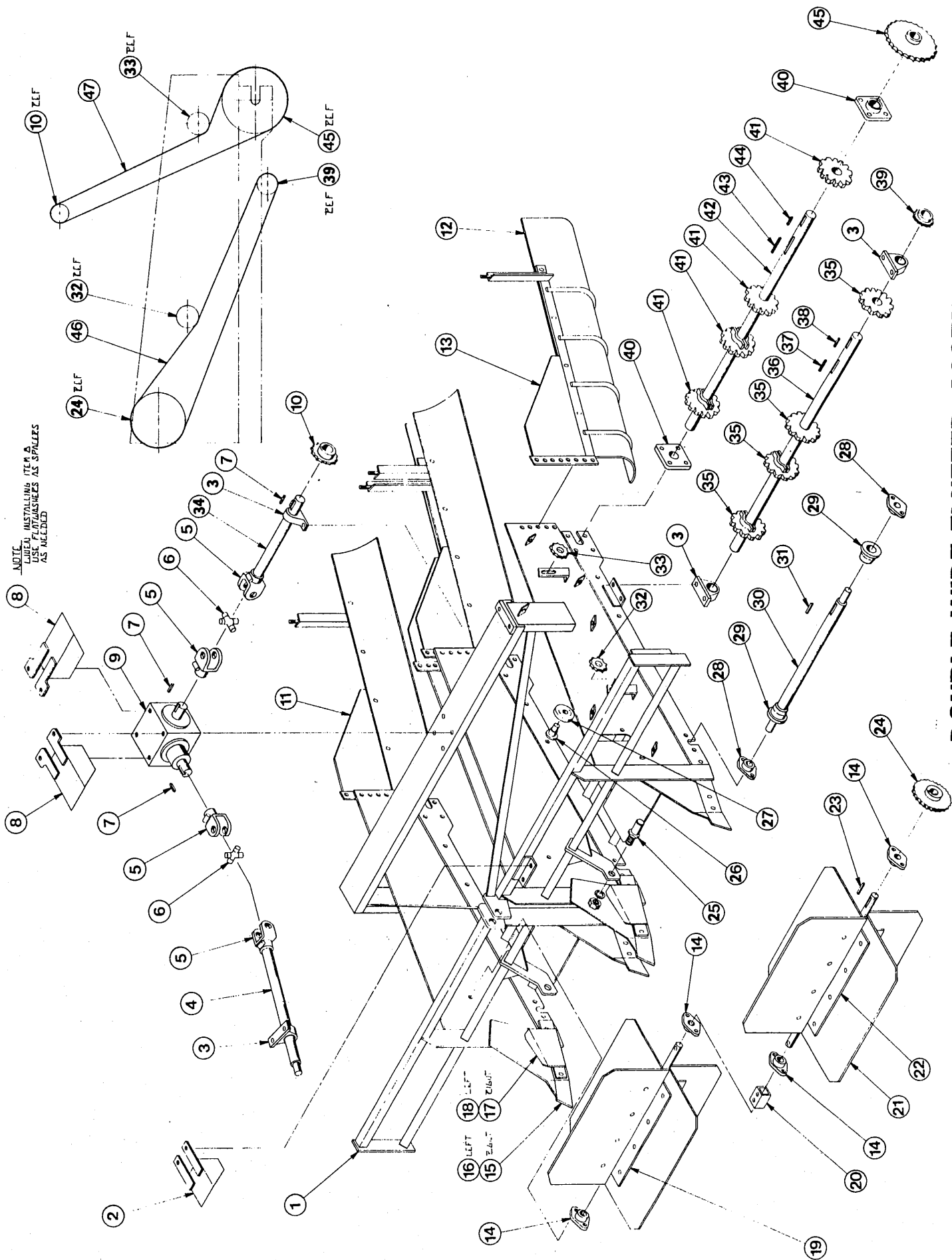
ITEM	QTY	SIZE	PART NO.	DESCRIPTION
31	2	-	-----	LOCK WASHER: 1/2"
30	2	-	-----	HEX BOLT: 1/2-13 UNC X 1 1/2
29	12	-	-----	HEX BOLT: 5/16-24 UNC X 3/4
28	1	-	340070	HYD. CYLINDER: CMB-F11N 104-1024
27	1	-	290240	PIPE FLUG: 1/2
26	1	-	290241	90 DEG. ST. EL. - 1/2
25	1	-	-----	KEYLOCK: 5/16 SQ. X 1
24	1	A	340038	UPPER DRUM SPRING, AND DRUM
23	1	-	999319	REMAINING RING-EXTERNAL
22	AR	-	-----	FLANKER: 5/8
21	1	-	340030	ROLLER SPRING BALL
20	1	-	-----	HEX NUT: 5/8-11 UNC
19	1	B	340009	ROLLER SWIFT WELDMENT
18	AR	-	980957	HAUF LINK RIBD
17	1	-	980925	MASTER LINK RIBD
16	AR	-	980908	ROLLER CHAIN RIBD
15	2	-	-----	FLAT HEAD SCREW: 3/8-16 UNC X 3/4
14	1	-	-----	KEYLOCK: 5/16 SQ. X 1 5/16
13	1	B	340014	SPRINGER
12	6	-	-----	LOCKWASHER: 3/8
11	6	-	-----	HEX NUT: 3/8-16 UNC
10	2	-	980087	BEARING: 1 3/8 FAIRBANKS GILBERT
9	2	-	980136	FLANKER: 3/4 IN. FAIRBANKS 72 K02 (R.)
8	1	A	340004	ROD LIFTER SWIFT
7	16	-	-----	LOCKWASHER: 5/16
6	4	-	-----	HEX NUT: 5/16-18 UNC
5	4	-	-----	HEX BOLT: 5/16-18 UNC X 1 3/4
4	2	A	340012	CORNER
3	1	C	340041	CENTER STANCHION WELDMENT
2	1	A	340007-2	GEARCASE COVER WELD (SEE 0340007)
1	1	B	340013	SOLID PLATE

REV.	DESCRIPTION	DATE
B	ITEM # 24 WAS 980598	9/6/00
A	ADDED ITEMS #32 - 39	4/6/00

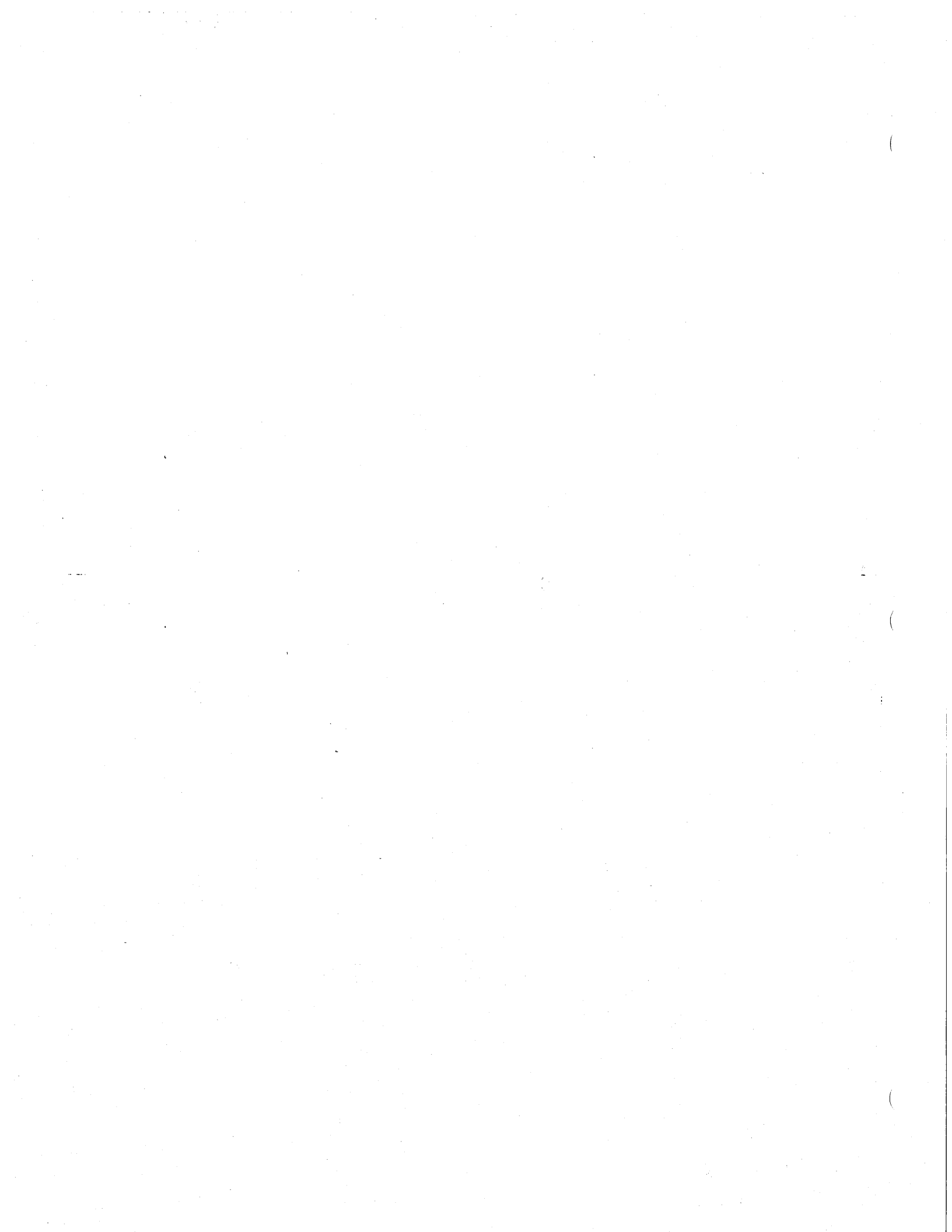
P.O. BOX 190 101 MAIN ST. PAPA, IOWA 53301		DRAWING NO. <b>0345</b>	
CENTER STANCHION ASSY. (HYDRAULIC)		REV. <b>B</b>	
MANUFACTURING DIMENSIONS FRACTIONS 1/16 DECIMALS 1/100		SCALE	
DATE: 8-8-97		REV. DATE: 8-8-97	
APPROVED: [Signature]		REV. DATE: 8-8-97	





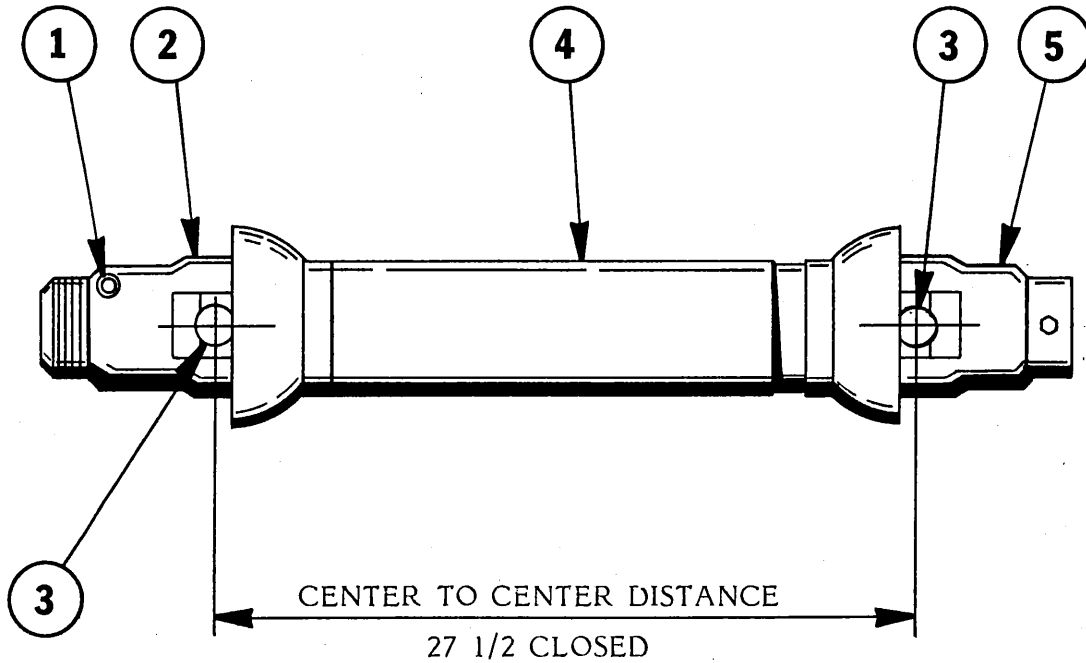


# DOUBLE WIDE FLUFFER ASSEMBLY

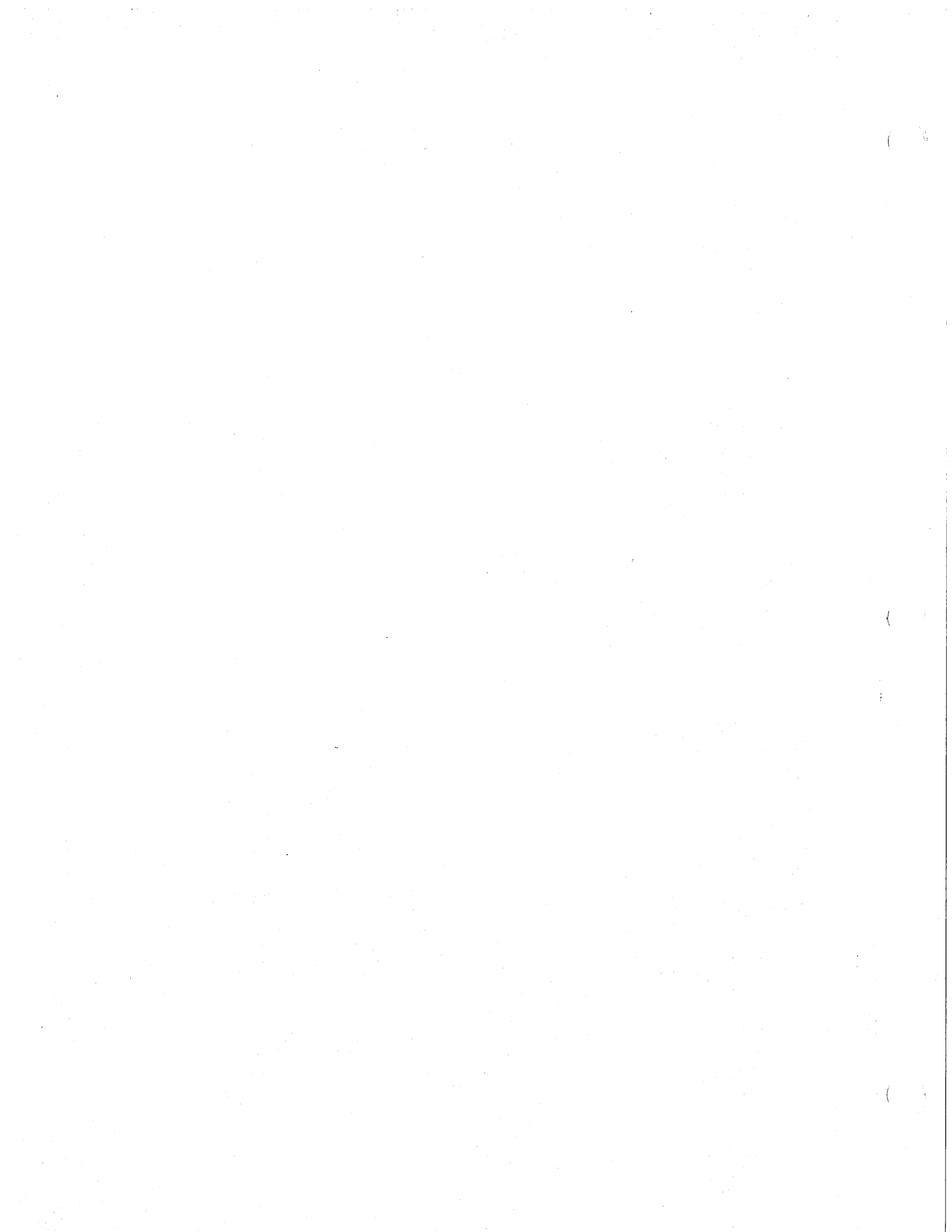


**DRIVELINE ASSEMBLY**  
**ONION ROD LIFTER**

PART NO. 340024



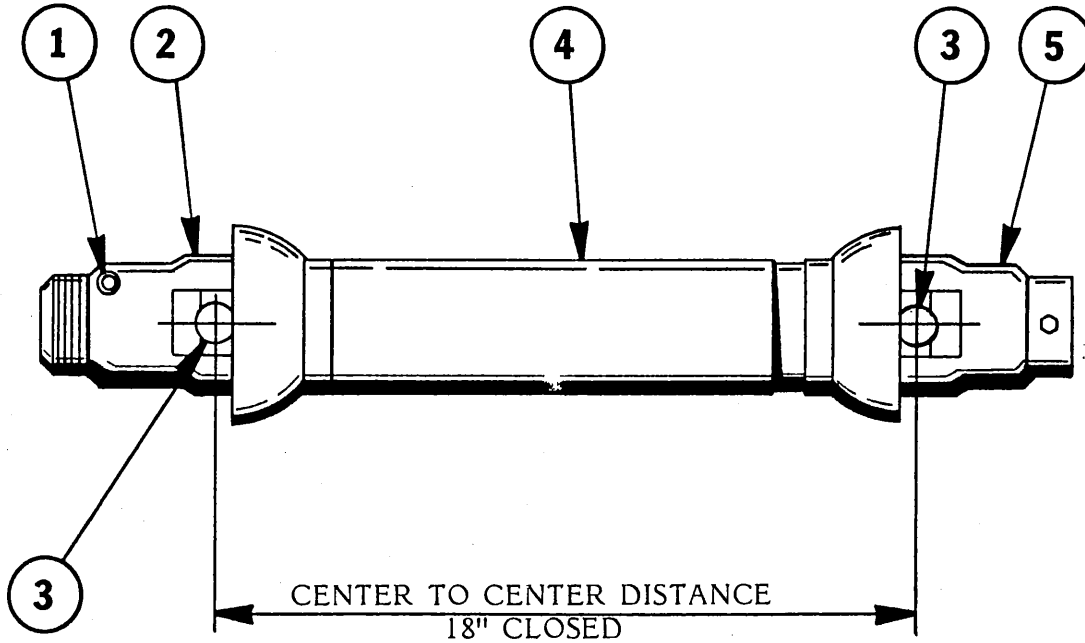
ITEM	QUANTITY	PART NO.	DESCRIPTION
1	1	990671	QUICK DISCONNECT KIT
2	1	790811	35N QD YOKE 1.3/8 6 SPLINE
3	2	990653	CROSS REPAIR KIT
4	1	340024	PTO ASSEMBLY
5	1		35N ROUND BORE YOKE 1 3/8



# DRIVELINE ASSEMBLY

## **ONION FLUFFER**

PART NO. 32002



ITEM	QUANTITY	PART NO.	DESCRIPTION
1	1	990671	QUICK DISCONNECT KIT
2	1		14 N QD YOKE 1 3/8 6 SPLINE
3	2	990653	CROSS REPAIR KIT
4	1	32002	PTO ASSEMBLY
5	1		14 N ROUND BORE YOKE 1"

