

PARMA[®]

PACKER

PARTS BOOK

Manual Number 08202010-PACKER

PARMA
COMPANY

P.O. BOX 190

PARMA, IDAHO 83660

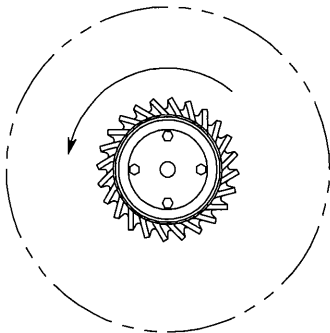
PHONE (208) 722-5116 FAX (208) 722-6012

Website: www.parmacompany.com

E-Mail: parmacom@parmacompany.com



DIRECTION OF ROTATION

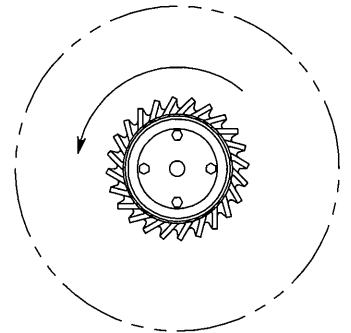


TILL OR HOE

DIRECTION OF FORWARD MOTION



DIRECTION OF ROTATION



PACK

RING ROLLER ASSEMBLIES 2-3/16" SHAFT

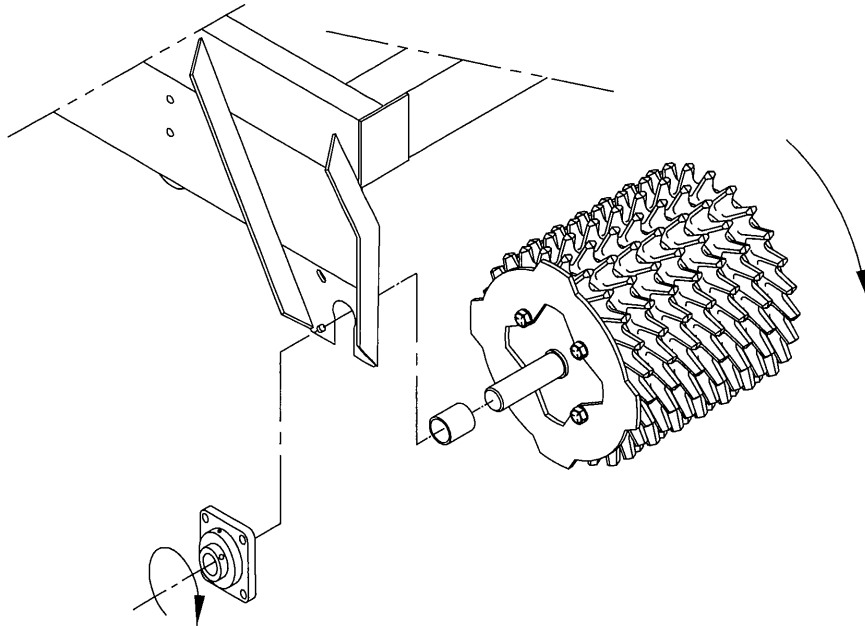
SIZE / P.N	5 ft.	6 ft.	7 ft.	8 ft.	9 ft.	10 ft.	11 ft.	12 ft.	13 ft.
10-12-16	523439	523445	523457	523469	523481	523487	523493	523499	523505
10-12-17	523442	523448	523460	523472	523484	523490	523496	523502	523508
12-14-20	523619	523622	523628	523634	523640	523643	523646	523649	523652
14-16-22	523712	523715	523721	523727	523733	523736	523739	523742	523745

SIZE / P.N	14 ft.	15 ft.	16 ft.	17 ft.	18 ft.	19 ft.	20 ft.	21 ft.	22 ft.
10-12-16	523511	523517	523523	523529	523535	523541	523547	523553	523559
10-12-17	523514	523520	523526	523532	523538	523544	523550	523556	523562
12-14-20	523655	523658	523661	523664	523667	523670	523673	523676	523679
14-16-22	523748	523751	523754	523757	523760	523763	523766	523769	523772

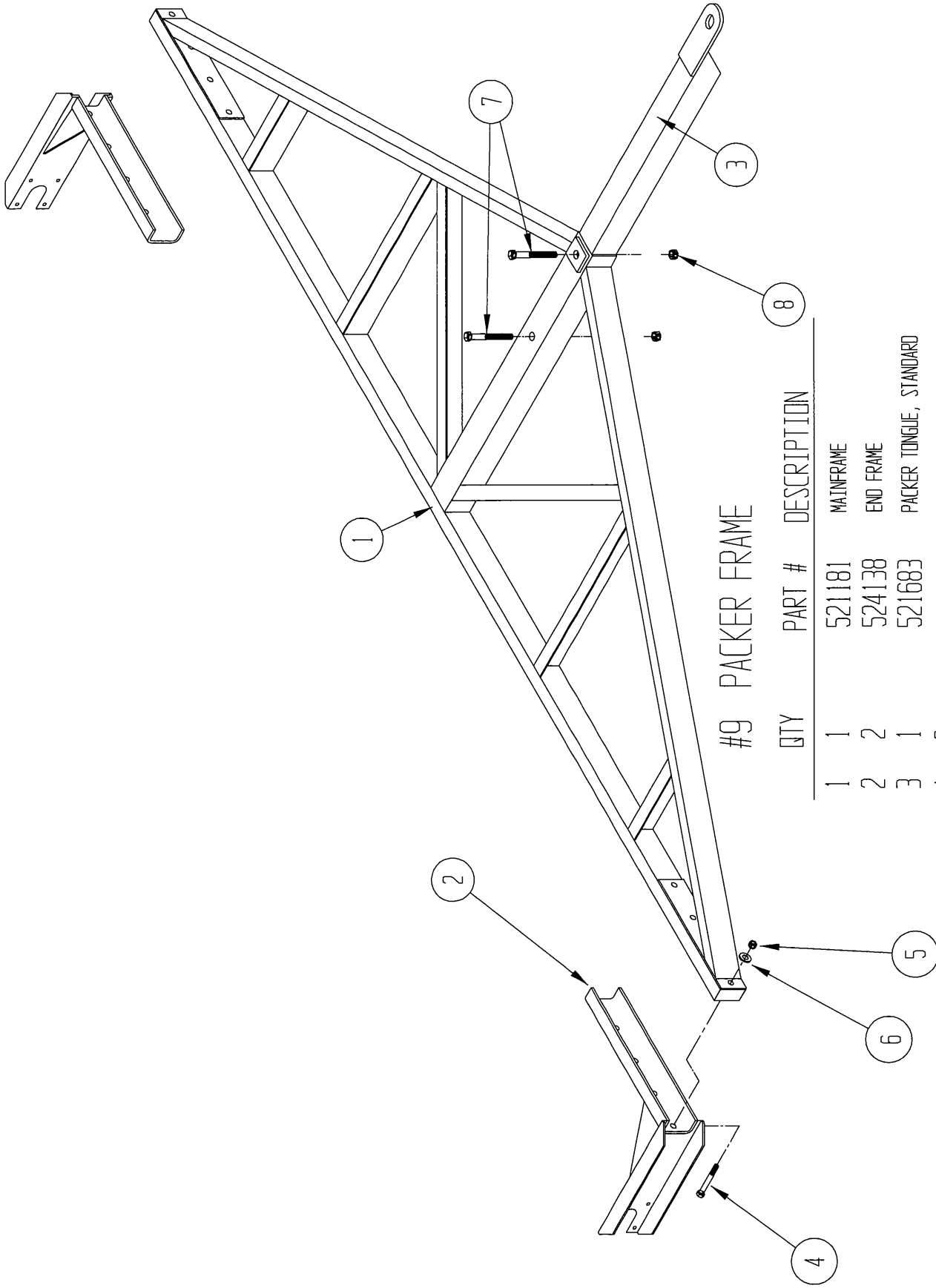
BEARING: 2-3/16" 4-BOLT FLANGE, PART NUMBER 980827

RING ROLLER ASSY.

ITEM	DESCRIPTION	PRT. NO				RING SIZE			
		10-12-16	10-12-17	12-14-20	14-16-22				
1	ROLLER END PLATE	521496	521496	521447	521534				
2	CAST RING	521566	521590	521592	521594				

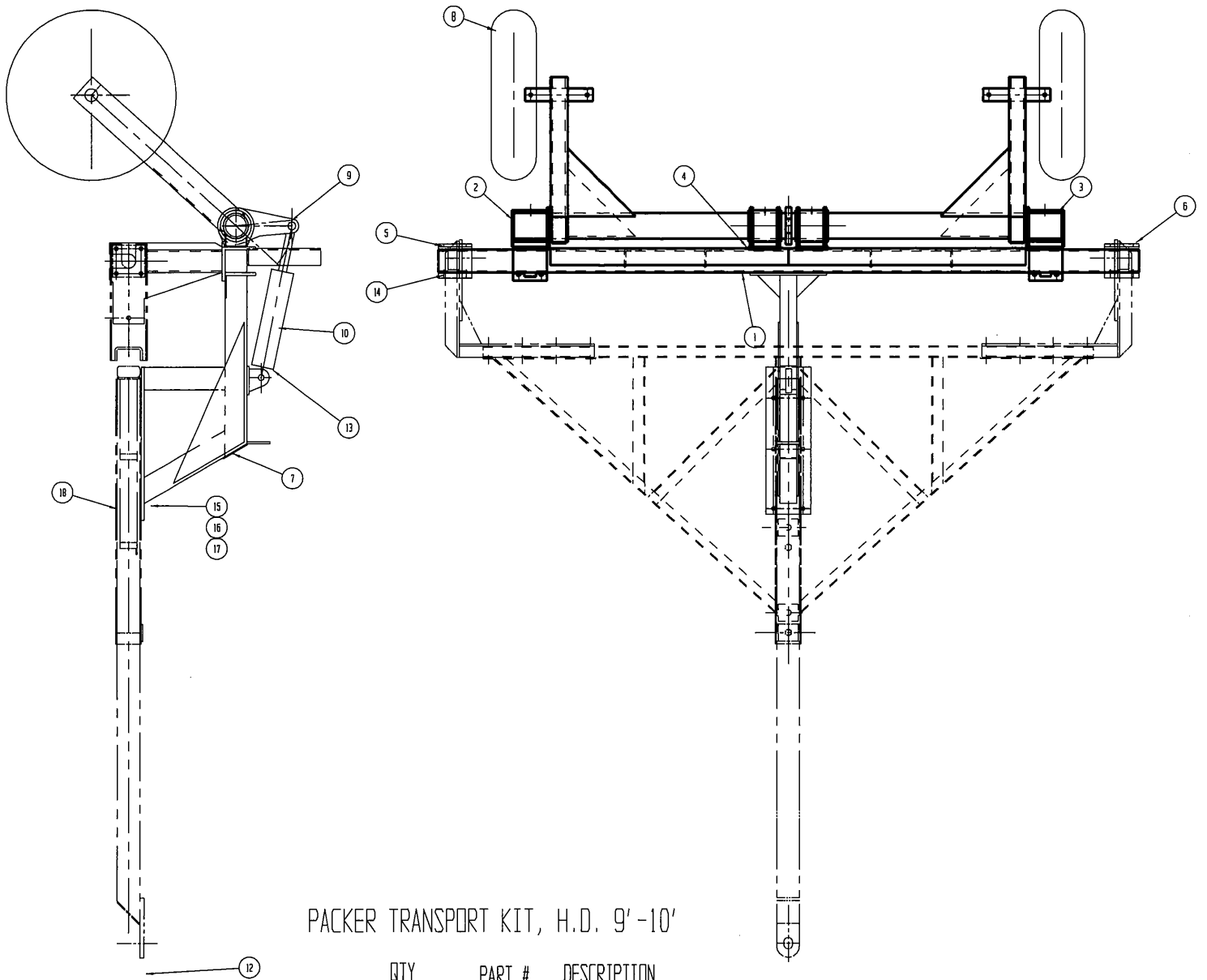


NOTE:
TO AVOID LOOSENING OF THE
LOCK COLLAR, ALWAYS SET LOCKING
COLLARS IN THE DIRECTION OF SHAFT
ROTATION.



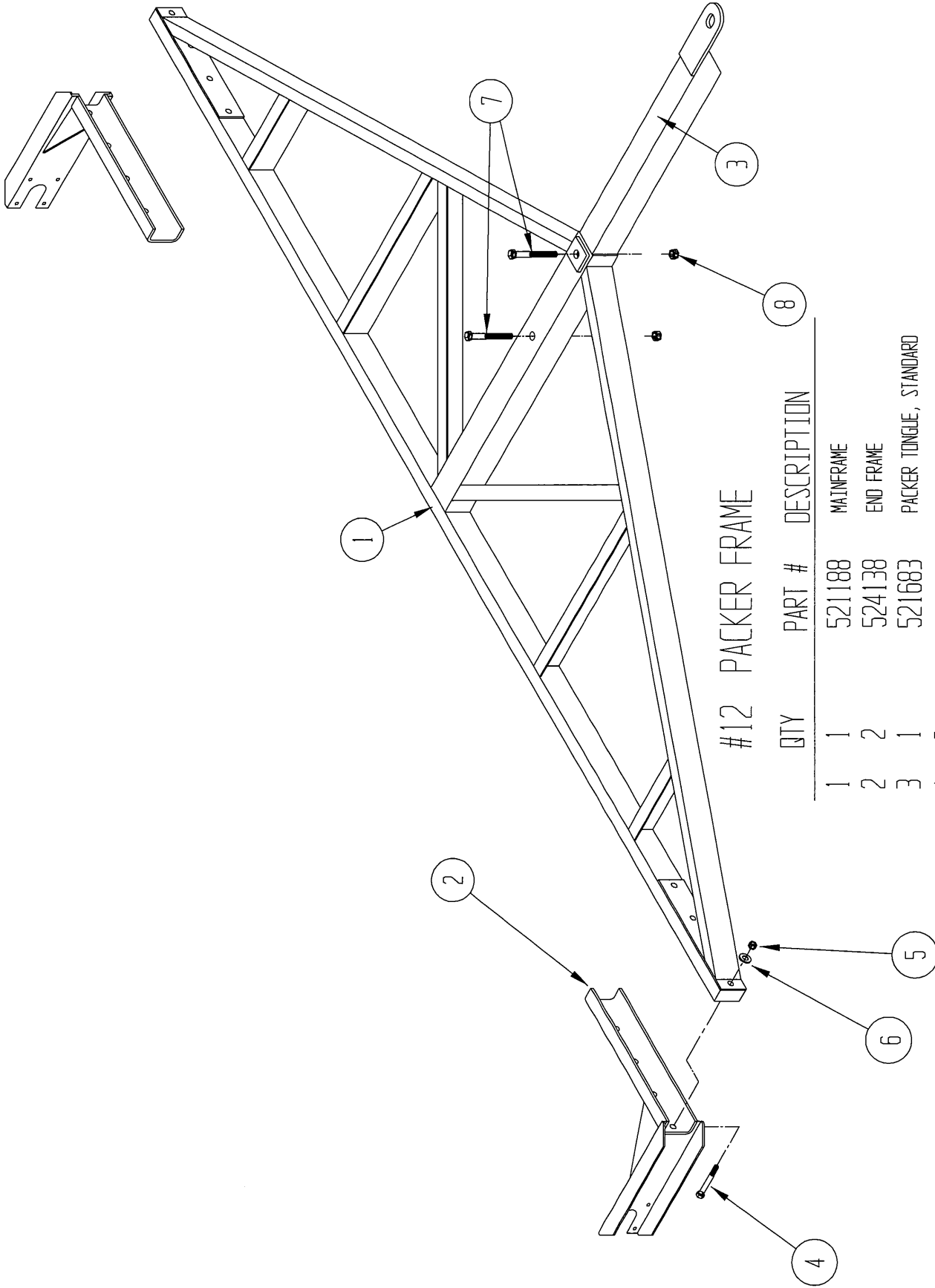
#9 PACKER FRAME

QTY	PART #	DESCRIPTION
1	521181	MAINFRAME
2	524138	END FRAME
3	521683	PACKER TONGUE, STANDARD
4	----	HEXBOLT: 3/4-10 UNC x 3 1/2
5	----	HEX NUT: 3/4-10 UNC
6	----	LOCKWASHER: 3/4
7	----	HEX BOLT: 1-8 UNC x 5 1/2
8	----	HEX LOCKNUT: 1-8 UNC



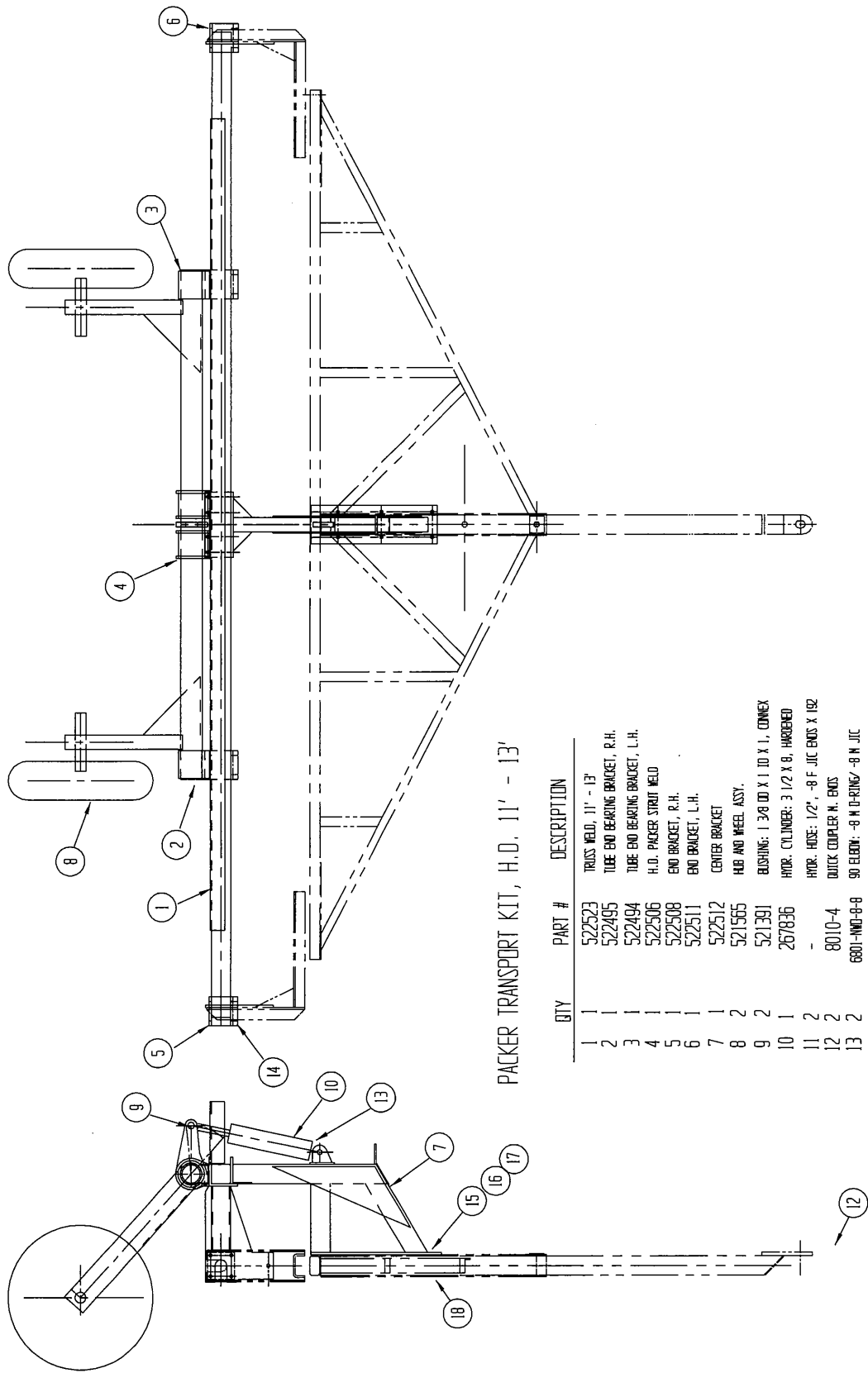
PACKER TRANSPORT KIT, H.D. 9'-10'

QTY	PART #	DESCRIPTION
1	524898	TRUSS WELD, 9'-10'
2	522495	TUBE END BEARING BRACKET, R.H.
3	522494	TUBE END BEARING BRACKET, L.H.
4	522506	H.D. PACKER STRUT WELD
5	522508	END BRACKET, R.H.
6	522511	END BRACKET, L.H.
7	522512	CENTER BRACKET
8	521565	HUB AND WHEEL ASSY.
9	521391	BUSHING: 1 3/8 OD X 1 ID X 1, CONNEX
10	267836	HYDR. CYLINDER: 3 1/2 X 8, HARDENED
11	-	HYDR. HOSE: 1/2", -8 F JIC ENDS X 192
12	8010-4	QUICK COUPLER M. ENDS
13	6801-NWD-8-8	90 ELBOW: -8 M O-RING/ -8 M JIC
14	997904	EYEBOLT: 5/8-11 UNC X 6
15		HEX BOLT: 5/8-11 UNC X 7 GR. 5
16		HEX NUT: 5/8-11 UNC
17		LOCK WASHER: 5/8
18	522515	CENTER BRACE PLATE



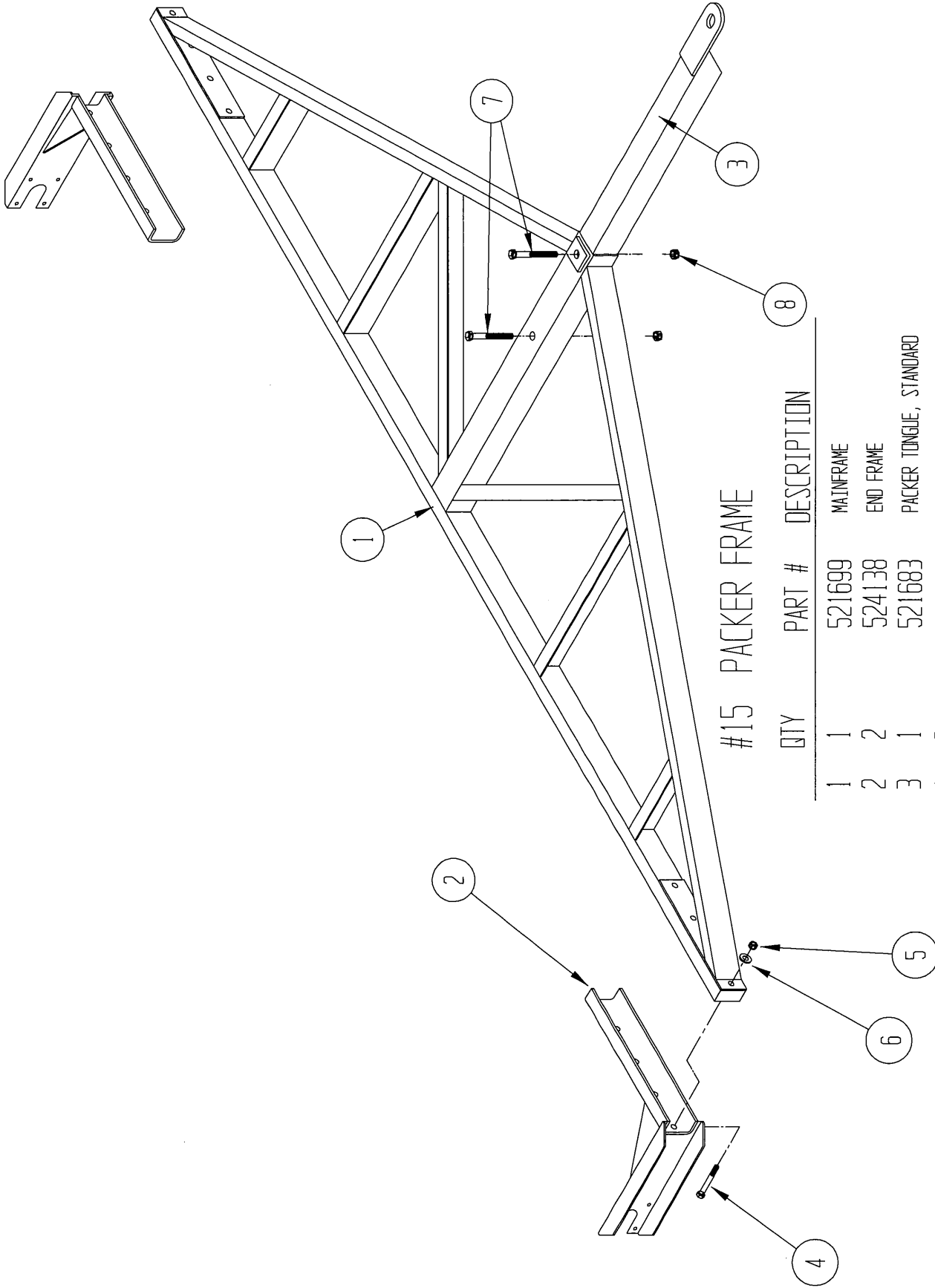
#12 PACKER FRAME

QTY	PART #	DESCRIPTION
1	521188	MAINFRAME
2	524138	END FRAME
3	521683	PACKER TONGUE, STANDARD
4	----	HEXBOLT: 3/4-10 UNC x 3 1/2
5	----	HEX NUT: 3/4-10 UNC
6	----	LOCKWASHER: 3/4
7	----	HEX BOLT: 1-8 UNC x 5 1/2
8	----	HEX LOCKNUT: 1-8 UNC



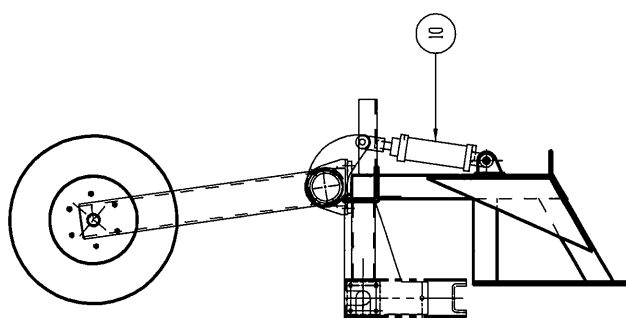
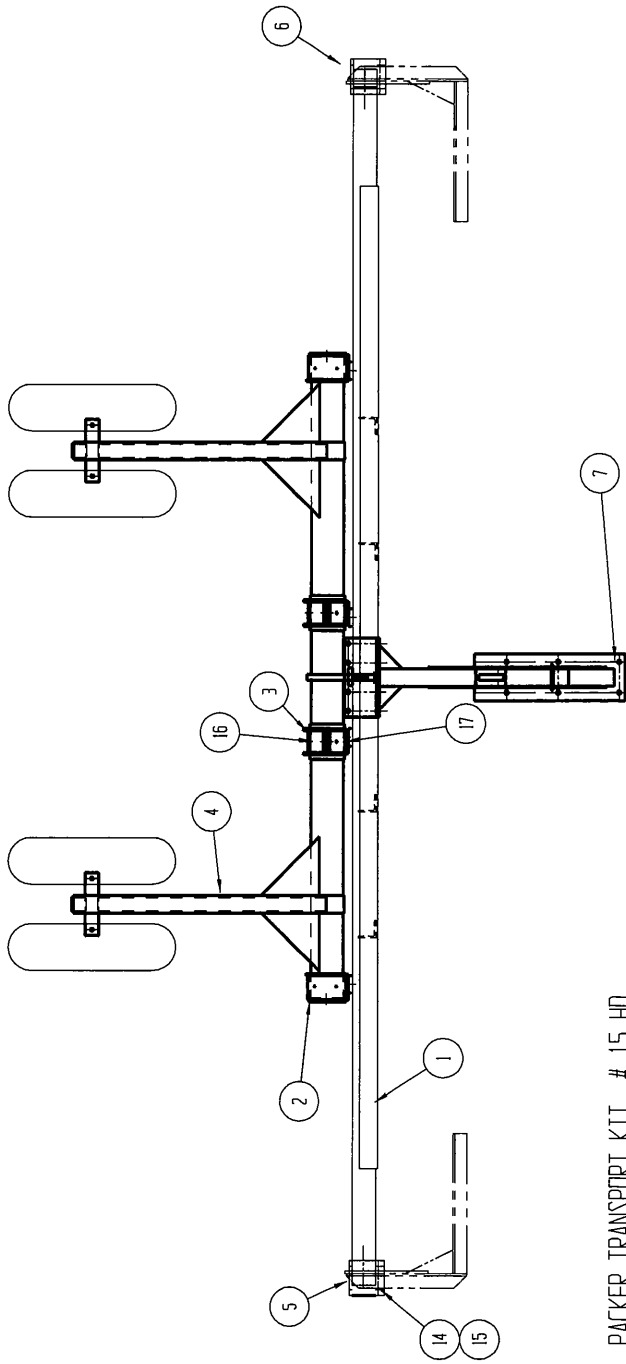
PACKER TRANSPORT KIT, H.D. 11' - 13'

QTY	PART #	DESCRIPTION
1	522523	TRUSS WELD, 11' - 13'
2	522495	TUBE END BEARING BRACKET, R.H.
3	522494	TUBE END BEARING BRACKET, L.H.
4	522506	H.D. PACKER STRUT WELD
5	522508	END BRACKET, R.H.
6	522511	END BRACKET, L.H.
7	522512	CENTER BRACKET
8	521555	HB AND WHEEL ASSY.
9	521391	BUSHING: 1 3/8 OD X 1.10 X 1, CONEX
10	267836	HYDR. CYLINDER: 3 1/2 X 8, HARDENED
11	-	HYDR. HOSE: 1/2", -8 F. JIC ENDS X 192
12	8010-4	BUCKLE COUPLER N. ENDS
13	6801-AMD-8-8	90 ELBOW: -8 N. D-RING/-8 N. JIC
14	997904	EYEBOLT: 5/8-11 UNC X 6
15	18	HEX BOLT: 5/8-11 UNC X 7 GR. 5
16	30	HEX NUT: 5/8-11 UNC
17	30	LOCK WASHER: 5/8
18	522515	CENTER BRACE PLATE



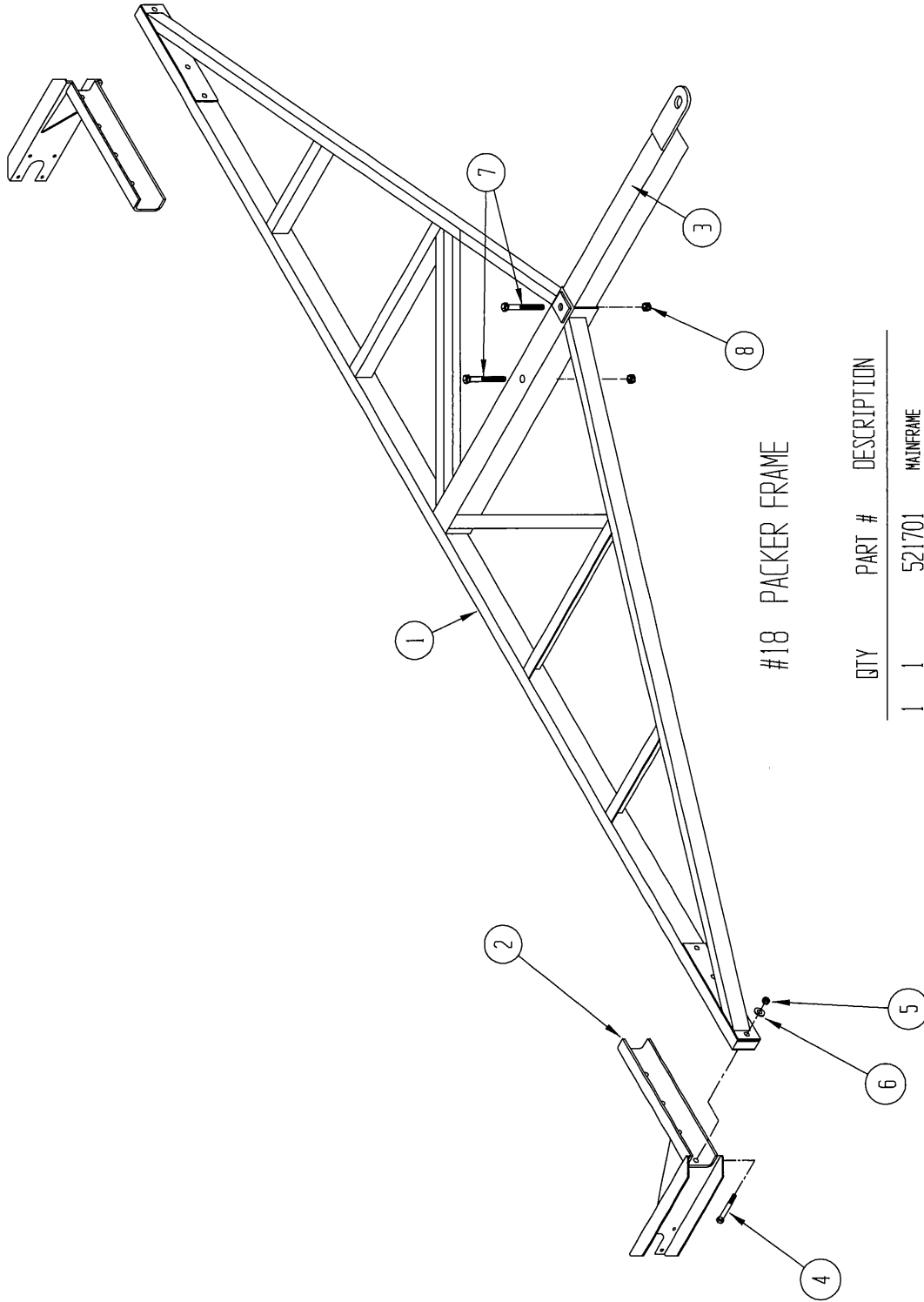
#15 PACKER FRAME

QTY	PART #	DESCRIPTION
1	521699	MAINFRAME
2	524138	END FRAME
3	521683	PACKER TONGUE, STANDARD
4	----	HEXBOLT: 3/4-10 UNC x 3 1/2
5	----	HEX NUT: 3/4-10 UNC
6	----	LOCKWASHER: 3/4
7	----	HEX BOLT: 1-8 UNC x 5 1/2
8	----	HEX LOCKNUT: 1-8 UNC



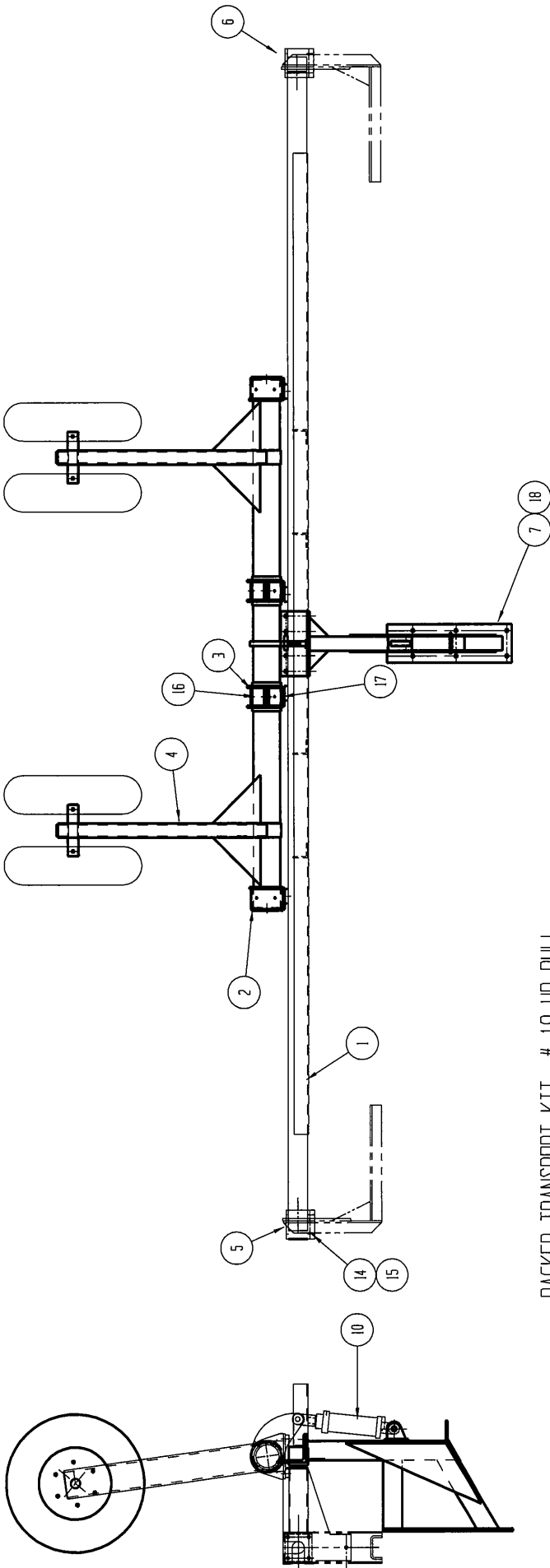
PACKER TRANSPORT KIT, # 15 HD

QTY	PART #	DESCRIPTION
1	522487	TRUSS WELD, 14'-16'
2	523107	BRACKET WELD, OUTER AXLE
3	522099	BRACKET WELD, INNER AXLE
4	524812	H.D. PACKER STRUT WELD #18
5	522508	END BRACKET, R.H.
6	522511	END BRACKET, L.H.
7	522512	CENTER BRACKET
8	521565	HUB AND WHEEL ASSY.
9	521391	BUSHING: 1 3/8 OD X 1 ID X 1, CONVEY
10	998403	HYDR. CYLINDER: 4 X 8, ASSIE
11	-	HYDR. HOSE: 1/2", -8 F JIC ENDS X 192
12	8010-4	BUCKET COUPLER M. ENDS
13	6801-NW-8-8	90 ELBOW: -8 M O-RING/-8 M JIC
14	997904	EYEBOLT: 5/8-11 UNC X 6
15	4	HEX BOLT, 5/8-11 X 7"
16	20	HEX BOLT, 3/4 X 2
17	20	LOCK NUTS, 3/4
18	522515	CENTER BRACE PLATE



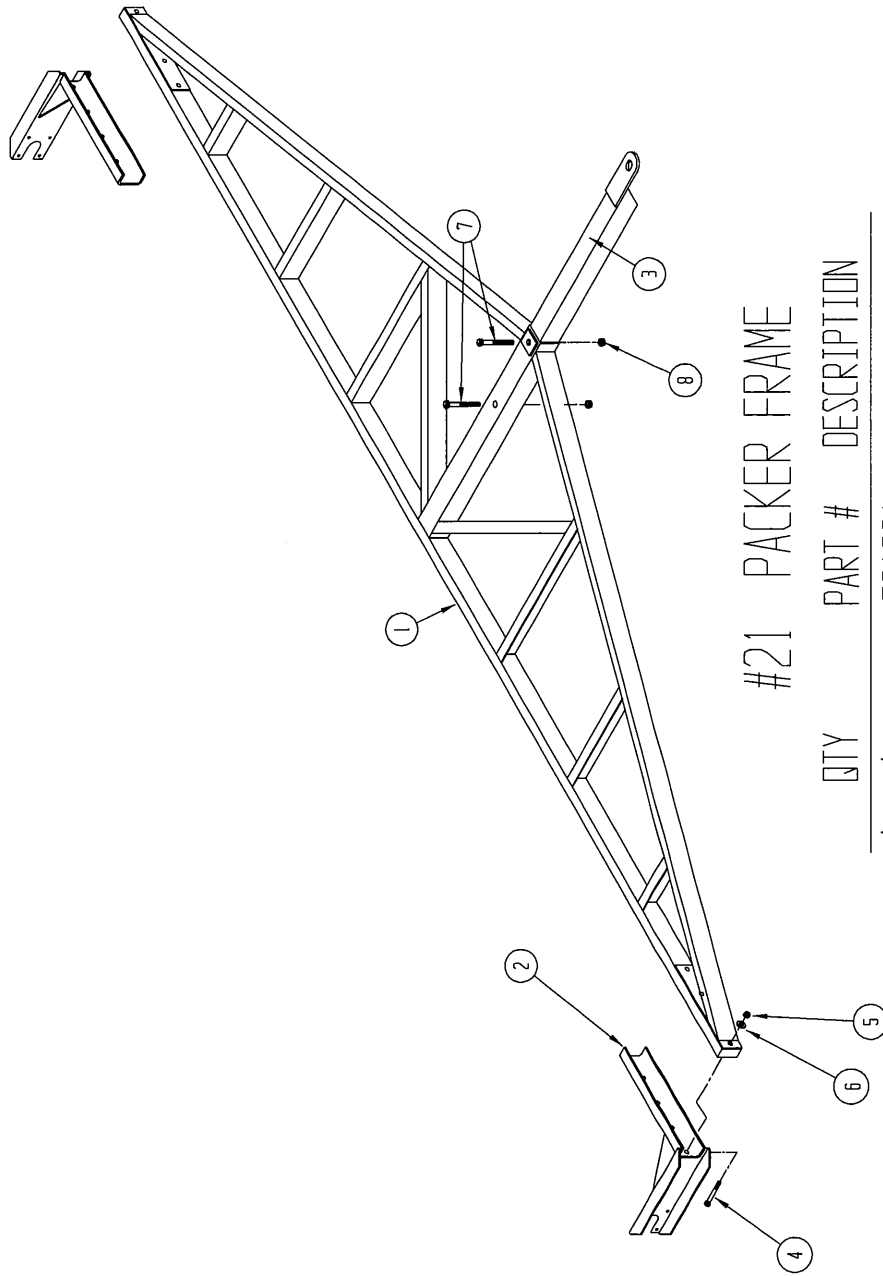
#18 PACKER FRAME

QTY	PART #	DESCRIPTION
1	521701	MAINFRAME
2	524138	END FRAME
3	521683	PACKER TONGUE, STANDARD
4	-----	HEXBOLT: 3/4-10 UNC x 3 1/2
5	-----	HEX NUT: 3/4-10 UNC
6	-----	LOCKWASHER: 3/4
7	-----	HEX BOLT: 1-8 UNC x 5 1/2
8	-----	HEX LOCKNUT: 1-8 UNC



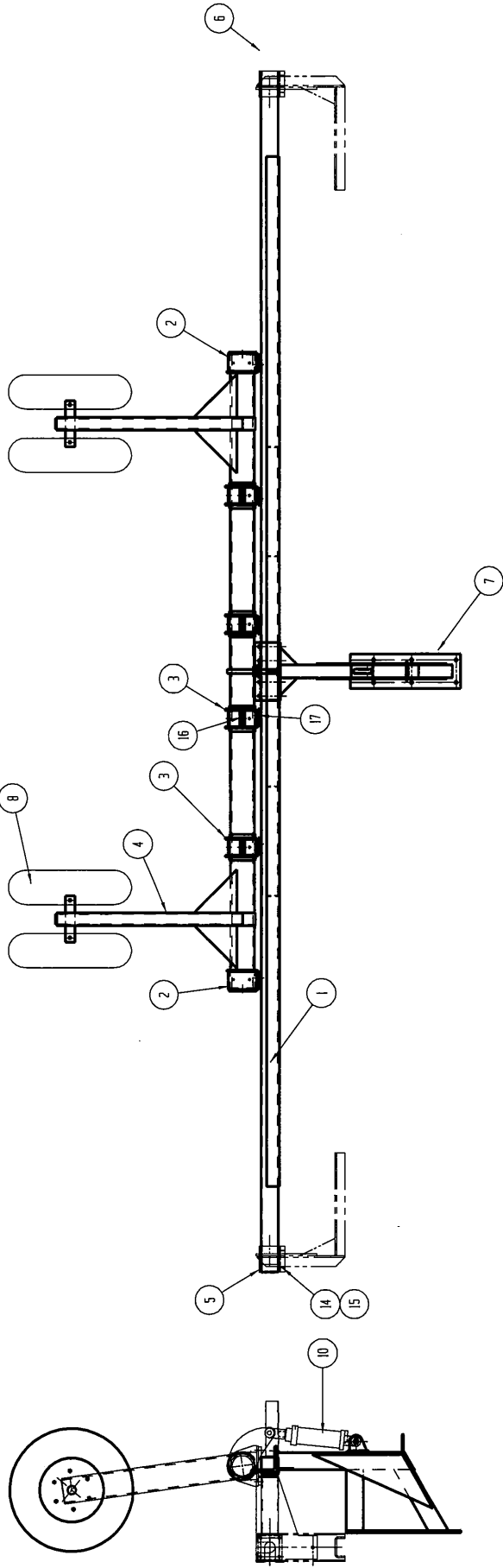
PACKER TRANSPORT KIT, # 18 HD PULL

QTY	PART #	DESCRIPTION
1	522526	TRUSS WELD, 17' - 19'
2	523107	BRACKET WELD, OUTER AXLE
3	522099	BRACKET WELD, INNER AXLE
4	524812	H.O. PACKER STRUT WELD #18
5	522508	END BRACKET, R.H.
6	522511	END BRACKET, L.H.
7	522512	CENTER BRACKET
8	521565	HUB AND WHEEL ASSY.
9	521391	BUSHING: 1 3/8 OD X 1 ID X 1, CONNEX
10	998403	HYDR. CYLINDER: 4 X 8, ASAE
11	-	HYDR. HOSE: 1/2", -8 F. JIC ENDS X 192
12	8010-4	BUICK COUPLER M. ENDS
13	6801-NWD-8-8	90 ELBOW: -8 M O-RING/-8 M JIC
14	997904	EYEBOLT: 5/8-11 UNC X 6
15	-	HEX BOLT, 5/8-11 X 7"
16	20	HEX BOLT, 3/4 X 2
17	20	LOCK NUTS, 3/4
18	522515	CENTER BRACE PLATE



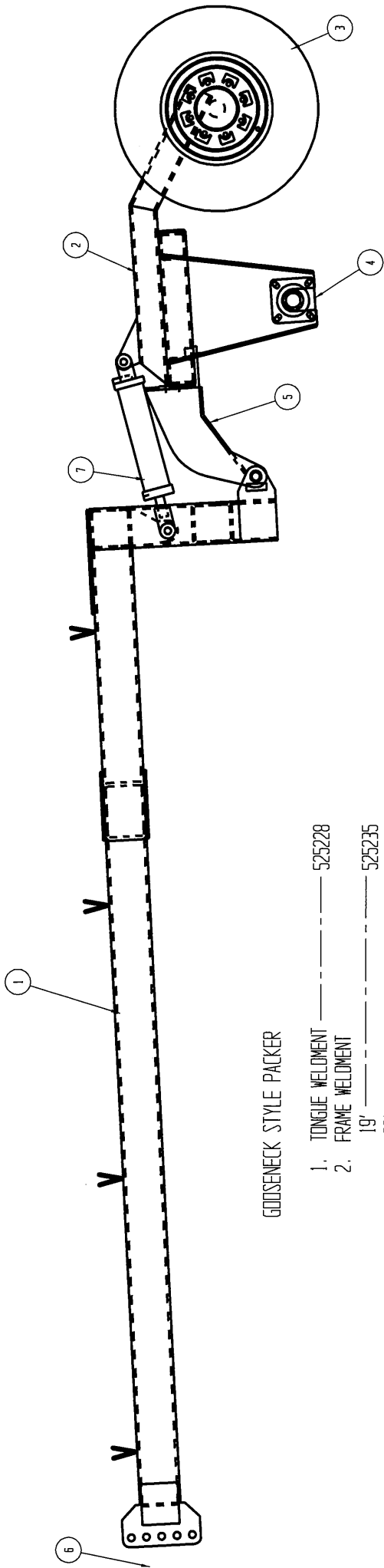
#21 PACKER FRAME

QTY	PART #	DESCRIPTION
1	521901	MAINFRAME
2	524138	END FRAME
3	521683	PACKER TONGUE, STANDARD
4	----	HEXBOLT: 3/4-10 UNC x 3 1/2
5	----	HEX NUT: 3/4-10 UNC
6	----	LOCKWASHER: 3/4
7	----	HEX BOLT: 1-8 UNC x 5 1/2
8	----	HEX LOCKNUT: 1-8 UNC



PACKER TRANSPORT KIT, 20-21' STD TONGUE HD

QTY	PART #	DESCRIPTION
1	522529	TRUSS WELD, 20' - 22'
2	523107	BRACKET WELD, OUTER AXLE
3	522099	BRACKET WELD, INNER AXLE
4	524809	H.O. PACKER STRUT WELD #21
5	522508	END BRACKET, R.H.
6	522511	END BRACKET, L.H.
7	522512	CENTER BRACE
8	521565	HUB AND WHEEL ASSY.
9	521391	BUSHING: 1 3/8 OD X 1 ID X 1, CONNEX
10	998403	HYDR. CYLINDER: 4 X 8, ASME
11	-	HYDR. HOSE: 1/2", -8 F JIC ENDS X 192
12	8010-4	BUJCK COUPLER M. ENDS
13	6801-NMD-8-8	90 ELBOW: -8 M O-RING/ -8 M JIC
14	997904	EYEBOLT: 5/8-11 UNC X 6
15	-	HEX BOLT, 5/8-11 X 7"
16	20	HEX BOLT, 3/4 X 2
17	20	LOCK NUTS, 3/4
18	522515	CENTER BRACE PLATE



GOOSENECK STYLE PACKER

- | | | | |
|----|--------------------------------|-------|--------|
| 1. | TONGUE WELDMENT | ----- | 525228 |
| 2. | FRAME WELDMENT | ----- | |
| | 19' | ----- | 525235 |
| | 20' | ----- | 525232 |
| | 21' | ----- | 525237 |
| | 22' | ----- | 525243 |
| 3. | HUB, WHEEL AND TIRE ASSEMBLY | ----- | 522620 |
| 4. | 4-BOLT FLANGE BEARING | ----- | 980827 |
| 5. | TONGUE PULL BRACKET | ----- | 525225 |
| 6. | RING HITCH | ----- | 521104 |
| 7. | HYDRAULIC CYLINDER 3 1/2 X 14" | ----- | 525224 |