

PARMA[®]

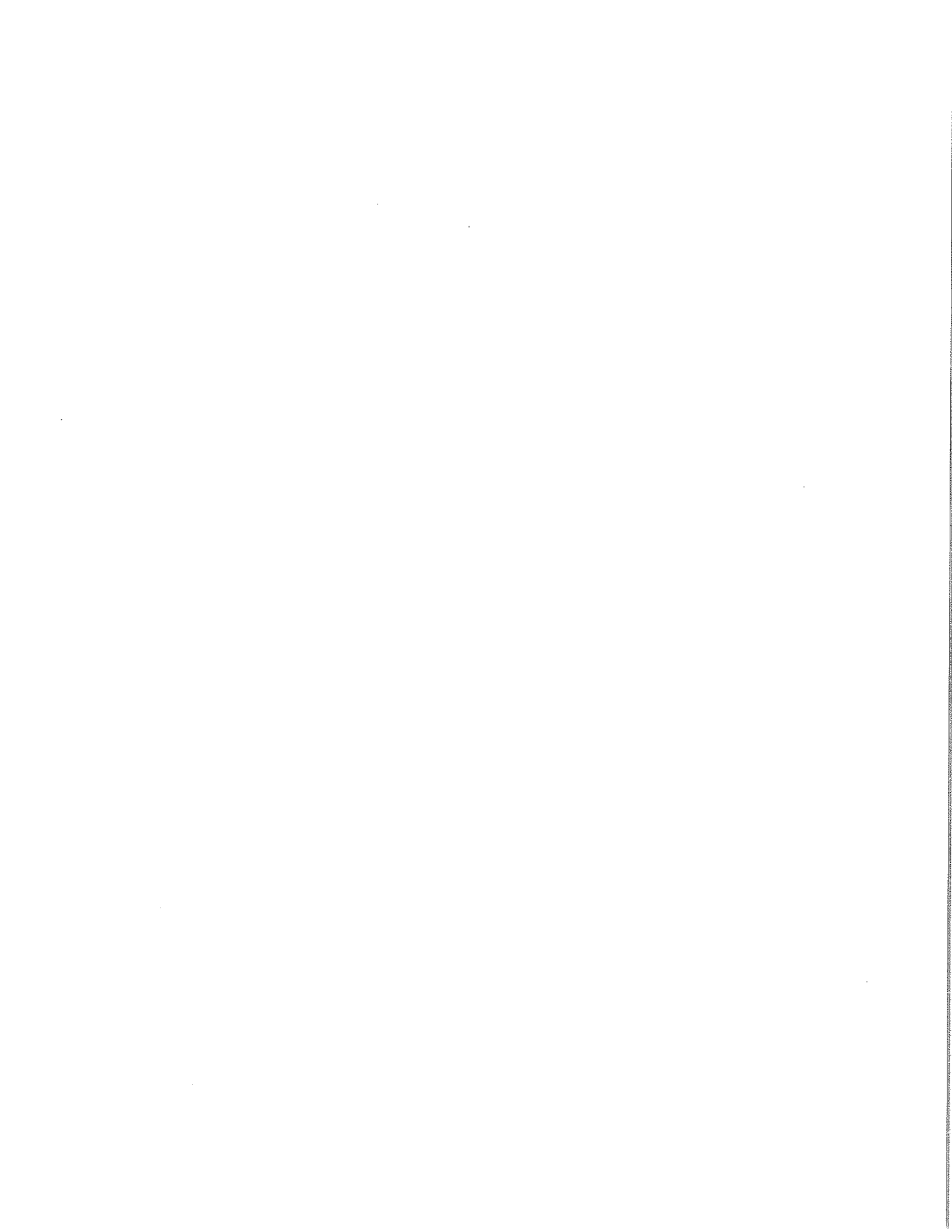
ONION SACKLOADER

OWNERS MANUAL/PARTS BOOK

Manual Number 04302010-SCL

PARMA COMPANY

P.O. BOX 190
PARMA, IDAHO 83660
PHONE (208) 722-5116 FAX (208) 722-6012
E-Mail: www.parmacompany.com



SAFETY PRECAUTIONS

TAKE NOTE! THIS SAFETY ALERT SYMBOL FOUND THROUGH OUT THIS MANUAL IS USED TO CALL YOUR ATTENTION TO INSTRUCTIONS INVOLVING YOUR PERSONAL SAFETY AND THE SAFETY OF OTHERS. FAILURE TO FOLLOW THESE INSTRUCTIONS CAN RESULT IN INJURY OR DEATH.



THIS SYMBOL MEANS

-ATTENTION!

-BECOME ALERT!

- YOUR SAFETY IS INVOLVED!

SIGNAL WORDS:

Note the use of the signal words DANGER, WARNING and CAUTION with the safety messages. The appropriate signal word for each has been selected using the following guidelines:

DANGER: Indicates an imminently hazardous situation that, if not avoided, will result in death or serious injury. This signal word is to be limited to the most extreme situations typically for machine components for which functional purposes cannot be guarded.

WARNING: Indicates a potentially hazardous situation that, if not avoided, could result in death or serious injury, and includes hazards that are exposed when guards are removed. It may also be used to alert against unsafe practices.

CAUTION: Indicates a potentially hazardous situation that, if not avoided, may result in minor or moderate injury. It may also be used to alert against unsafe practices.

If you have questions not answered in this manual or require additional copies or the manual is damaged, please contact your dealer.

SAFETY.... YOU CAN LIVE WITH IT



SAFETY.... YOU CAN LIVE WITH IT



EQUIPMENT SAFETY GUIDELINES

Safety of the operator is one of the main concerns in designing and developing a new piece of equipment. Designers and manufacturers build in as many safety features as possible. However, every year many accidents occur which could have been avoided by a few seconds of thought and a more careful approach to handling equipment. You, the operator, can avoid many accidents by observing the following precautions in this section. To avoid personal injury, study the following precautions and insist those working with you, or for you, follow them.

In order to provide maximum safety to the operator or other persons around this machine, various shields and covers have been installed. Keep all shields and covers in place. If shield removal becomes necessary for repairs or any other reason, replace the shield prior to use.

Replace any CAUTION, WARNING, DANGER or instruction safety decal that is not readable or is missing. Location of such decals is indicated in this manual.

Do not attempt to operate this equipment under the influence of drugs or alcohol.

Review the safety instructions with all users annually.

This equipment is dangerous to children and persons unfamiliar with its operation. The operator should be a responsible adult familiar with farm machinery and trained in this equipment's operations. **Do not allow persons to operate or assemble this unit until they have read this manual and have developed a thorough understanding of the safety precautions and of how it works.**

Do not paint over, remove or deface any safety signs or warning decals on your equipment. Observe all safety signs and practice the instructions on them.

Never exceed the limits of a piece of machinery. If its ability to do a job, or to do so safely is in question – **DON'T TRY IT.**



LIGHTING AND MARKING

It is the responsibility of the customer to know the lighting and marking requirements of the local highway authorities and to install and maintain the equipment to provide compliance with the regulations. Add extra lights when transporting at night or during periods of limited visibility.

Lighting kits are available from your dealer or from the manufacturer.



SAFETY SIGN CARE

- Keep safety signs clean and legible at all times
- Replace safety signs that are missing or have become illegible
- Replaced parts that displayed a safety sign should also display the current sign
- Safety signs are available from your Dealer Parts Department or the Manufacturer

How to Install Safety Signs:

- Be sure that the installation area is clean and dry
- Decide on the exact position before you remove the backing paper
- Remove the smallest portion of the split backing paper
- Align the decal over the specified area and carefully press the small portion with the exposed sticky backing in place
- Slowly peel back the remaining paper and carefully smooth the remaining portion of the decal in place
- Small air pockets can be pierced with a pin and smoothed out using the piece of decal backing paper



TIRE SAFETY

- Failure to follow proper procedures when mounting a tire on a wheel or rim can produce an explosion which may result in serious injury or death
- Do not attempt to mount a tire unless you have the proper equipment and experience to do the job
- Inflating or servicing tires can be dangerous. Whenever possible, trained personnel should be called to service and/or mount tires
- Always order and install tires and wheels with appropriate capacity to meet or exceed the anticipated weight to be placed on the equipment.



REMEMBER!

Your best assurance against accidents is a careful and responsible operator. If there is any portion of this manual or function you do not understand, contact your local authorized dealer or the manufacturer.



BEFORE OPERATING:

- Carefully study and understand this manual
- Do not wear loose-fitting clothing which may catch in moving parts
- Always wear protective clothing and substantial shoes
- It is recommended that suitable protective hearing and (eye protection) sight protectors be worn
- The operator may come in contact with certain materials which may require specific safety equipment, relative to the handling of such materials (examples: extreme dust, molds, fungus, bulk fertilizers, etc)
- Keep wheel lug nuts or bolts tightened to specified torque
- Assure that agricultural implement tires are inflated evenly
- Inspect the unit for any loose bolts, worn parts or cracked welds, and make necessary repairs. Follow the maintenance safety instructions included in this manual
- Be sure that there are no tools lying on or in the equipment
- Do not use the unit until you are sure that the area is clear, especially children and animals
- Because it is possible that this equipment may be used in dry areas or in the presence of combustibles, special precautions should be taken to prevent fires and fire fighting equipment should be readily available
- Don't hurry the learning process or take the unit for granted. Ease into it and become familiar with you new equipment
- Practice operation of your equipment and its attachments. Completely familiarize yourself and other operators with its operation before using
- Make sure that the brakes are evenly adjusted (if equipped with brakes)



DURING OPERATION:

- Keep hands and clothing clear of moving parts
- Do not clean, lubricate or adjust your equipment while it is in motion
- When halting operation, even periodically, set the tractor, or towing vehicle brakes, disengage the hydraulics, shut off the engine and **remove the ignition key**



DURING OPERATION cont....

- Be especially observant of the operating area and terrain – watch for holes, rocks or other hidden hazards. Always inspect the area prior to operation
 - **DO NOT** operate near the end of drop-offs or banks
 - **DO NOT** operate near the end of drop-offs or banksOperate up and down (not across) intermediate slopes. Avoid sudden starts and stops
- Pick the most level route when transporting across fields. Avoid the edges of ditches or gullies and steep hillsides
- Be extra careful when working on inclines
- Periodically clear the equipment of brush, twigs or other materials to prevent buildup of dry combustible materials
- Avoid overhead wires or other obstacles. Contact with overhead lines could cause serious injury or death
- Avoid loose fill, rocks and holes; they can be dangerous for equipment operation or movement
- Allow for unit length when making turns
- Do not walk or work under raised components or attachments unless securely positioned and blocked
- Keep all bystanders, pets and livestock clear of the work area
- As a precaution, always recheck the hardware on equipment following every 100 hours of operation. Correct all problems. Follow the maintenance safety procedures
- Operate the towing vehicle from the operator's seat only



FOLLOWING OPERATION:

- Following operation, or when unhitching, stop the towing vehicle (if applicable), set the brakes, disengage the hydraulics and all power drives, shut off the engine and **remove the ignition keys**
- Store the unit in an area away from human activity
- Do not park equipment where it will be exposed to livestock for long periods. Damage and livestock injury could result
- Do not permit children to play on or around the stored unit
- Make sure all parked machines are on a hard, level surface and engage all safety devices
- Wheel chocks may be needed to prevent unit from rolling



HIGHWAY AND TRANSPORT OPERATIONS:

- Adopt safe driving practices:
 - Always drive at a safe speed relative to local conditions and ensure that your speed is low enough for an emergency to stop to be safe and secure. Keep speed to a minimum
 - Reduce speed prior to turns to avoid the risk of overturning
 - Avoid sudden uphill turns on steep slopes
 - Always keep the truck, or towing vehicle in gear to provide engine braking when going downhill. Do not coast
- **Do not drink and drive!**
- Comply with state and local laws governing highway safety and movement of farm machinery on public roads
- Use approved accessory lighting flags and necessary warning devices to protect operators of other vehicles on the highway, during daylight and nighttime transport, in accordance with State Department of Transportation specifications. Various safety lights and devices are available from your Dealer
- The use of flashing amber lights is acceptable in most localities. However, some localities prohibit their use. Local laws should be checked for all highway lighting and marking requirements
- Be a safe and courteous driver. Always yield to oncoming traffic in all situations, including narrow bridges, intersections, etc
- Be observant of bridge loading ratings. Do not cross bridges rated lower than the gross weight at which you are operating
- Watch for obstructions overhead and to the side while transporting
- Always operate equipment in a position to provide maximum visibility at all times. Make allowances for increased length and weight of the equipment when making turns, stopping the unit, etc



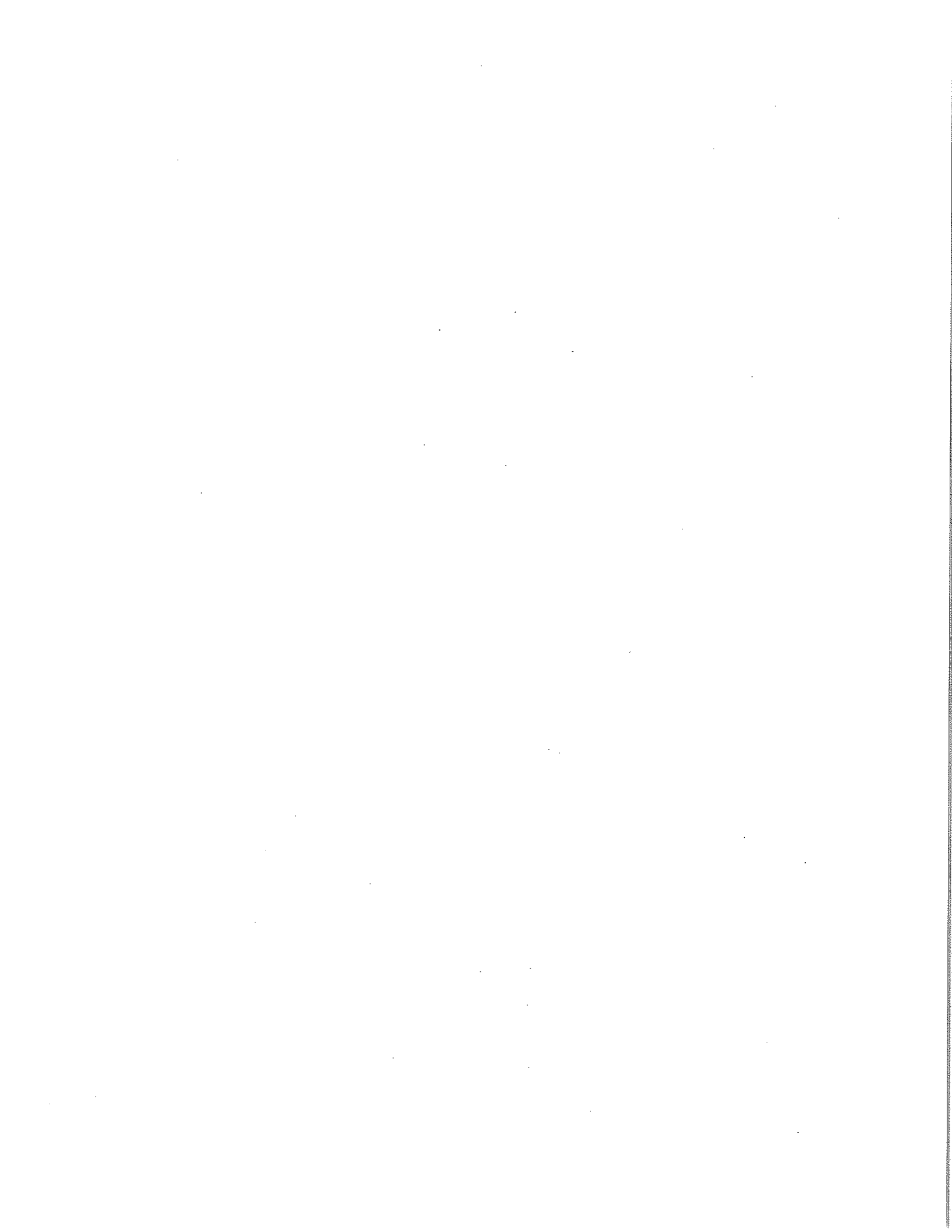
PERFORMING MAINTENANCE:

- Good maintenance is your responsibility. Poor maintenance is an invitation to trouble
- Make sure there is plenty of ventilation. Never operate the engine in a closed building. The exhaust fumes may cause asphyxiation
- Before working on this machine, stop, set the brakes, disengage the PTO and all power drives, shut off the engine and **remove the ignition keys**

- Be certain all moving parts on attachments have come to a complete stop before attempting to perform maintenance
- **Always** use a safety support and block the wheels. Never use a jack to support the machine
- Always use the proper tools or equipment for the job at hand
- Use extreme caution when making adjustments
- Never use your hands to locate a hydraulic leak on attachments. Use a small piece of cardboard or wood. Hydraulic fluid escaping under pressure can penetrate the skin
- When disconnecting hydraulic lines, shut off hydraulic supply and relieve all hydraulic pressure
- Openings in the skin and minor cuts are susceptible to infection from hydraulic fluid. **If injured by escaping hydraulic fluid, see a doctor at once. Gangrene can result. Without immediate medical treatment, serious infection and reactions can occur.**
- Replace **all shields and guards** after servicing and before moving
- After servicing, be sure all tools, parts and service equipment are removed
- Do not allow grease or oil to build up on any step or platform
- Never replace hex bolts with less than grade five bolts unless otherwise specified. Refer to bolt torque chart for head identification marking
- Where replacement parts are necessary for periodic maintenance and servicing, genuine factory replacement parts must be used to restore your equipment to original specifications. The manufacturer will not claim responsibility for use of unapproved parts and/or accessories and other damages as a result of their use
- If equipment has been altered in any way from original design, the manufacturer does not accept any liability for injury or warranty

OPERATION:

- Be aware of all operators on the platforms and anywhere else they may be
- Make certain the operators are aware of direction and speed changes when the machine is in motion
- The three-point arms of the tractor are used to keep the cart balanced when loaded with the onions, sacks, operators etc
- Maintain good control of the unit when turning on the ends, do not speed up too fast or slow too quickly, the operators may lose their balance

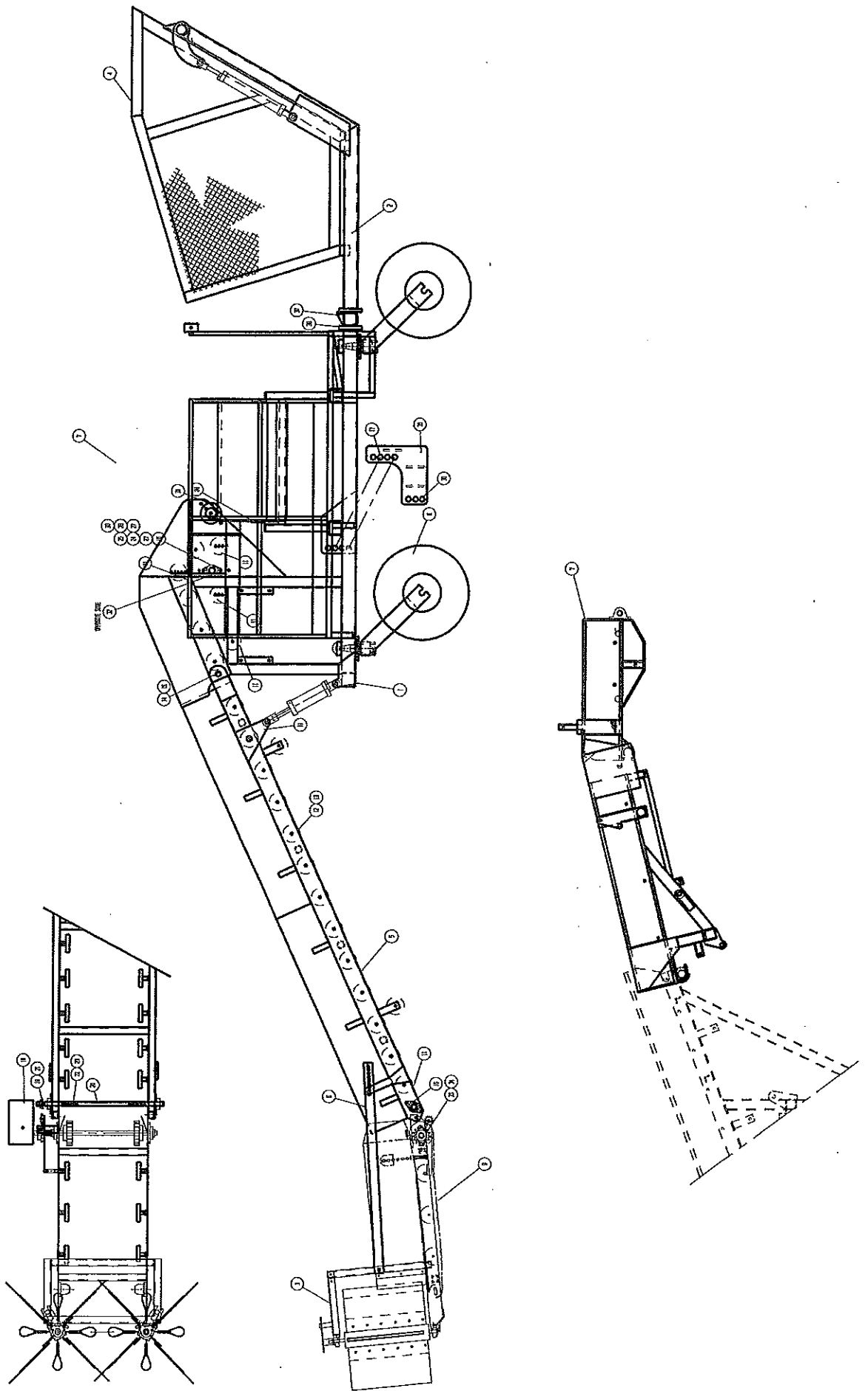


Section 2

Parts

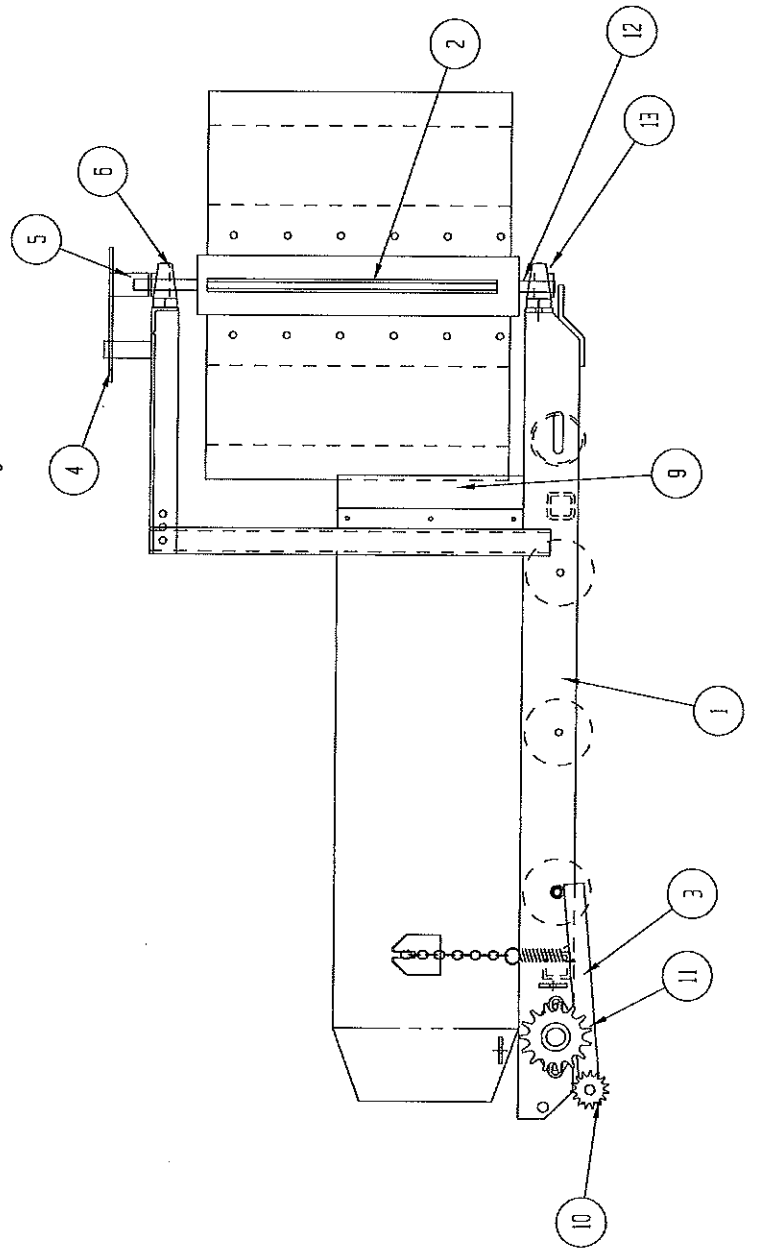
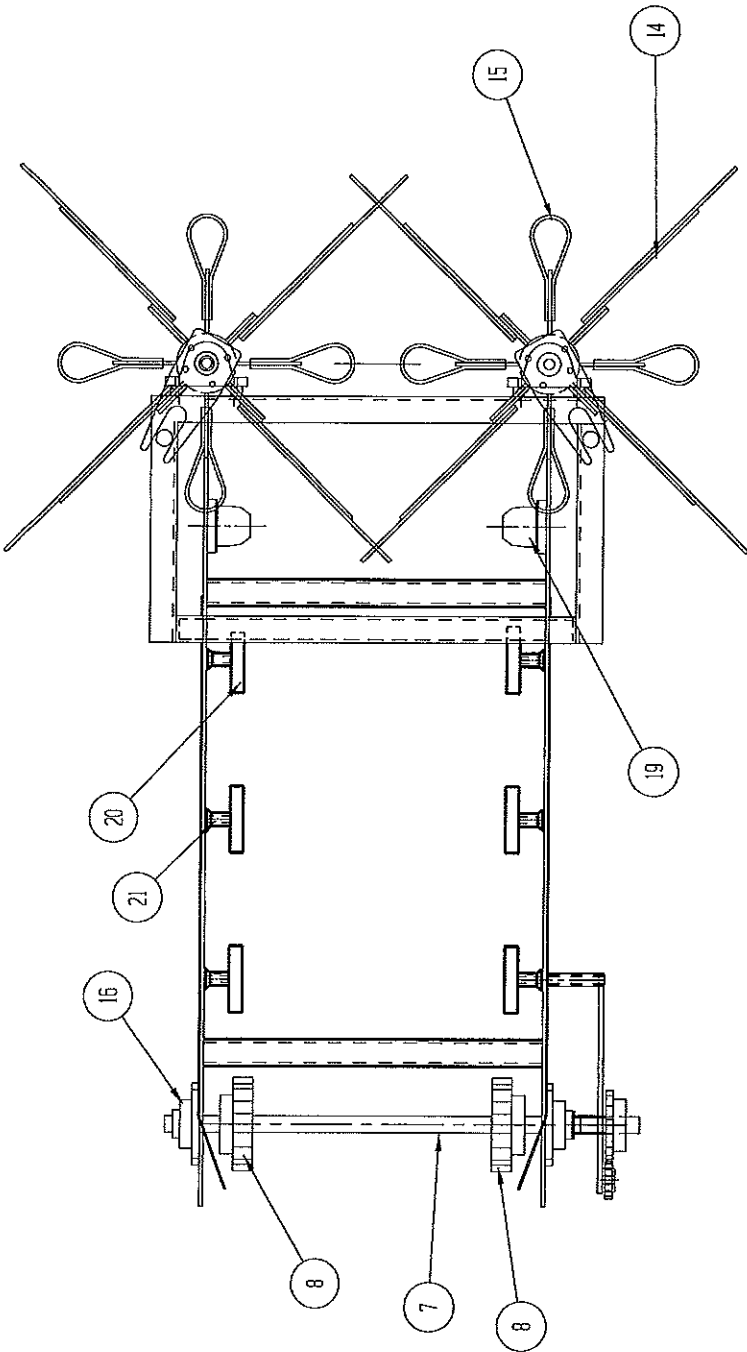
Sackloader Assembly

Item #	Qty	Part Number	Description
1	1	360278	Sackloader Cart
2	1	360009SP	Rear Weldment
3	1	360129SP	Nose Assembly
4	1	360008SP	Sackbin Weldment
5	1	360201	Primary Weldment
6	2	360195	Adjustment Bar
7	1	360015SP	Discharge Assembly
8	4	360123	Crazy Wheel Assembly
9	1	360235	Belted Chain Assembly, Nose
10	1	360236	Hydraulic Assembly
11	12	998591	Flanged 5" Roller
12	40	998579	Roller, 5"
13	40	315372.10	Standoff, 5/8" X 1 3/4"
14	2	360237	Bolt, 1 1/4-7 Gr 8 X 6"
15	2	360238	Lock Nut, 1 1/4"-7
16	4	980185	2-Bolt Flange Bearing 1 1/8"
17	4	510719	Pin Wld, Hitch
18	1	360039SP	Chain Guard
19	1	980598	Sprocket, 60 B14 1 1/8"
20	1	360095SP	Shaft, Lower Slide
21	1		Keystock, 1/4" x 1 1/4"
22	2	980517 1-1/8	Sprocket, Belted Chain
23	4		Keystock, 1/4" x 2 1/2"
24	2	980519	Sprocket, Belted Chain
25	1	360091	Headshaft, 1 1/8"
26	1	250090	Hydraulic Motor Mount
27	1	360049SP	Shaft, Coupling
28	1	360239	Rubber Belting
29	1	360240	Belted Chain Assembly, Primary
30	2	360243	Bearing Guard
31	2	267413	Roller, Assembly
32	1	360248	Drive Cover Guard
33	1	360249	Seat Mount Weldment
34	1	360252	Seat and Seat Belt
35	2	360261	Hitch Extension Weldment
36	2	360262	Pin Wld, Hitch
37	1	360265	Basket Bar
38	4	360122	Bolt Plate



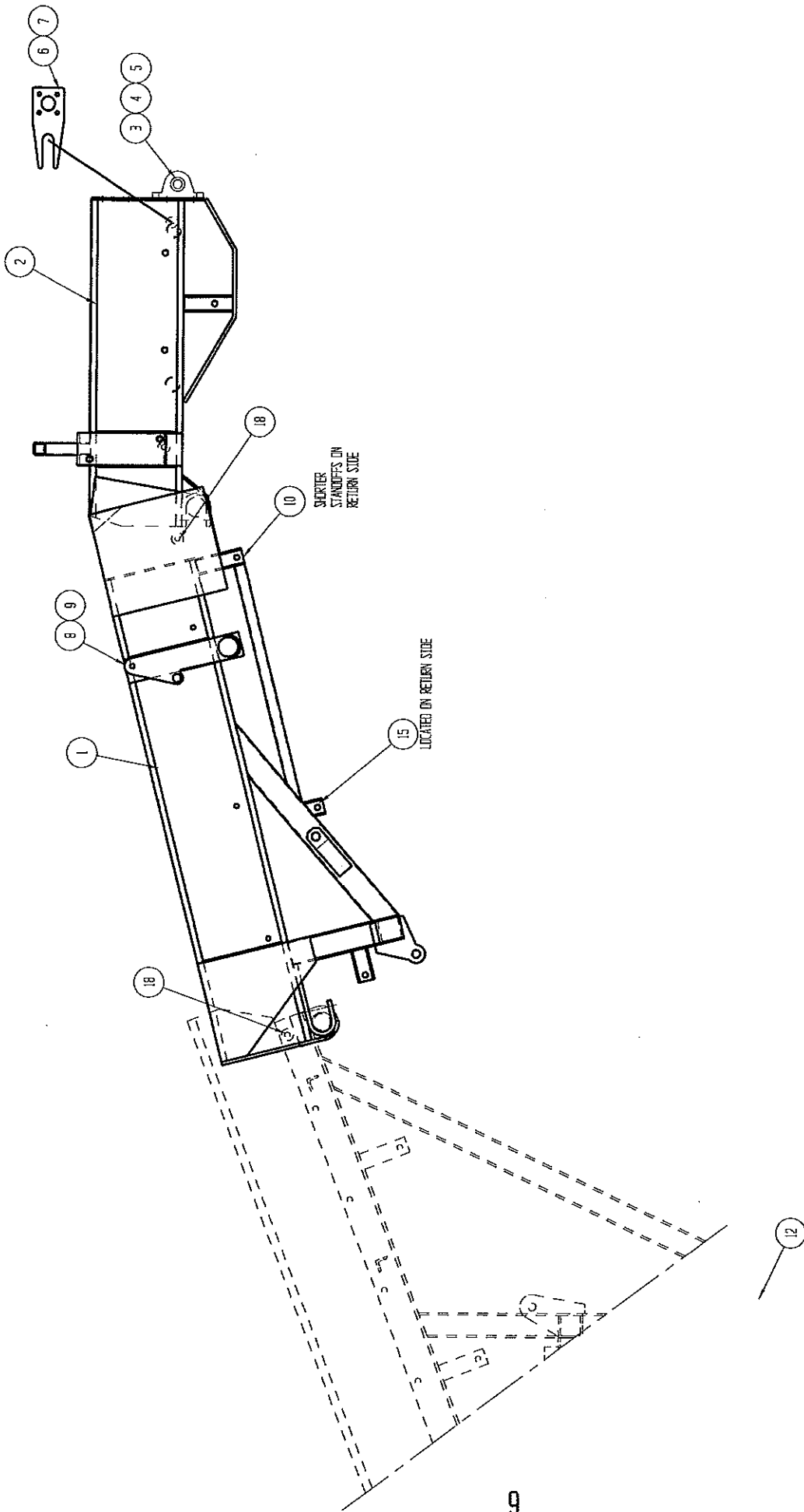
Nose Assembly

Item #	Qty	Part Number	Description
1	1	360006SP	Nose Weldment
2	2	360043	Paddle Wheel Weldment
3	1	360078SP	Nose Idler Bracket
4	2	250090	Hydraulic Motor Mount
5	2	360049	Shaft Coupling
6	2	980187	Tapped Base Bearing
7	1	360046SP	Nose Headshaft
8	2	980519	Belted Chain Sprocket
9	2	360102	Black Belting
10	1	340030	Idler Sprocket 60 A11
11	1	980606	Sprocket 60B22 1 1/8"
12	2		Pipe, 1" SCH 40 X 1 3/4"
13	2	980021	Pillow Block Bearing, 1"
14	8	360072	Paddle Wheel Belting
15	16	360073	Paddle Wheel Belting
16	2	980185	2-Bolt Flange Bearing 1 1/8"
17	1	337685	Extension Spring
18	13 Links	98130	Coil Chain
19	2	360025	Cone Roller
20	6	998579	Rubber Tread Roller
21	6	315372.10	Standoff



Discharge Assembly

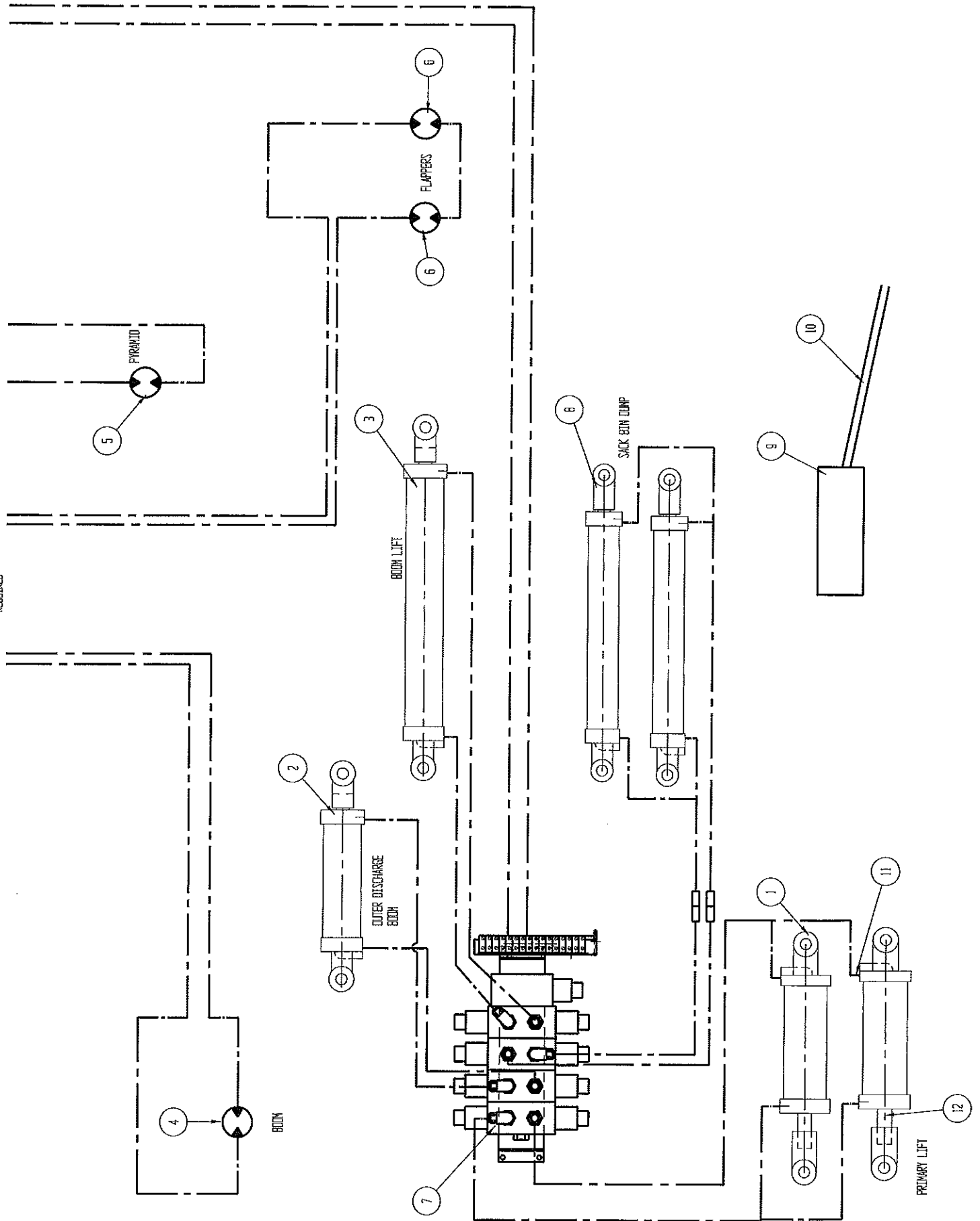
Item #	Qty	Part Number	Description
1	1	360004	Elevator Discharge, Center
2	1	360005	Elevator Discharge, Outer
3	2	980181	Bearing, Pillow Block 1 1/8"
4	1	360045SP	Headshaft, Discharge Elevator
5	2	980506 1 1/8	Sprocket, Split 12T
6	1	250090	Hydraulic Motor Mount
7	1	360049SP	Coupling
8	2	360034	Arm Linkage
9	4	360033	Arm Linkage
10	14	360257	Standoff
11	18	270120	Spacer
12	2	267413	Roller, Idler
13	40	998579	Roller
14	36	315372.10	Standoff
15	12	360258	Flanged 5" Roller
16	1	360242	Belted Chain Assembly
17	2	250224	Ring, Hydraulic Hose
18	14	998591	Flanged 5" Roller



Hydraulic Assembly

Item #	Qty	Part Number	Description
1	2	267836	Hydraulic Cylinder 3 1/2 X 8"
2	1	998903	Hydraulic Cylinder 3 X 8"
3	1	998906	Hydraulic Cylinder 3 X 20"
4	1	990458	Hydraulic Motor
5	1	990459	Hydraulic Motor
6	2	990457	Hydraulic Motor
7	1	265727	Valve Bank Assembly
8	2	998904	Hydraulic Cylinder 3 X 16"
9	1	264543	Switch Box
10	1	264546	Control Cable
11	4	701658	Restrictor Fitting
12	2	522012	Kit, Stroke Control

4 TRACTOR REMOTES
REQUIRED



Crazy Wheel

Item #	Qty	Part Number	Description
1	1	999952	Hub Cap
2	1	999960	Castelled Nut, 7/8"
3	1	999965	Flat Washer, 1 1/4"
4	1	360124	Bearing Cone
5	1	360125	Bearing Cup
6	1	360111	Spindle
7	1	360127	Bearing Cup
8	1	360126	Bearing Cone
9	1	510728	Seal
10	1		Cotter Pin, 3/16 X 1 1/4"
11	1	510798	Fork Weldment
12	2	331247	Shoulder Nut
13	2	331273	Jam Nut
14	1	360115	Axle
15	2	360128	Bushing
16	2	334902	Seal
17	2	334136	Bearing Cone
18	2	334276	Bearing Cup
19	5	330396	Wheel Stud
20	5	330417	Wheel Lug Nuts
21	1	334448	Wheel Hub
22	1	337662	Wheel 5" Bolt
23	1	999974	Tire 11L X 15
24	1	999974-99	Tube, 11I X 15
25	Ref.	334449	Hub Assembly, 16,17,18,19,20, & 21

