

PARMA[®]

Forage Utility Box w/Horizontal Beater Attachment PARTS BOOK

Manual Number 6202017-FUB

PARMA
COMPANY

P.O. BOX 190

PARMA, IDAHO 83660

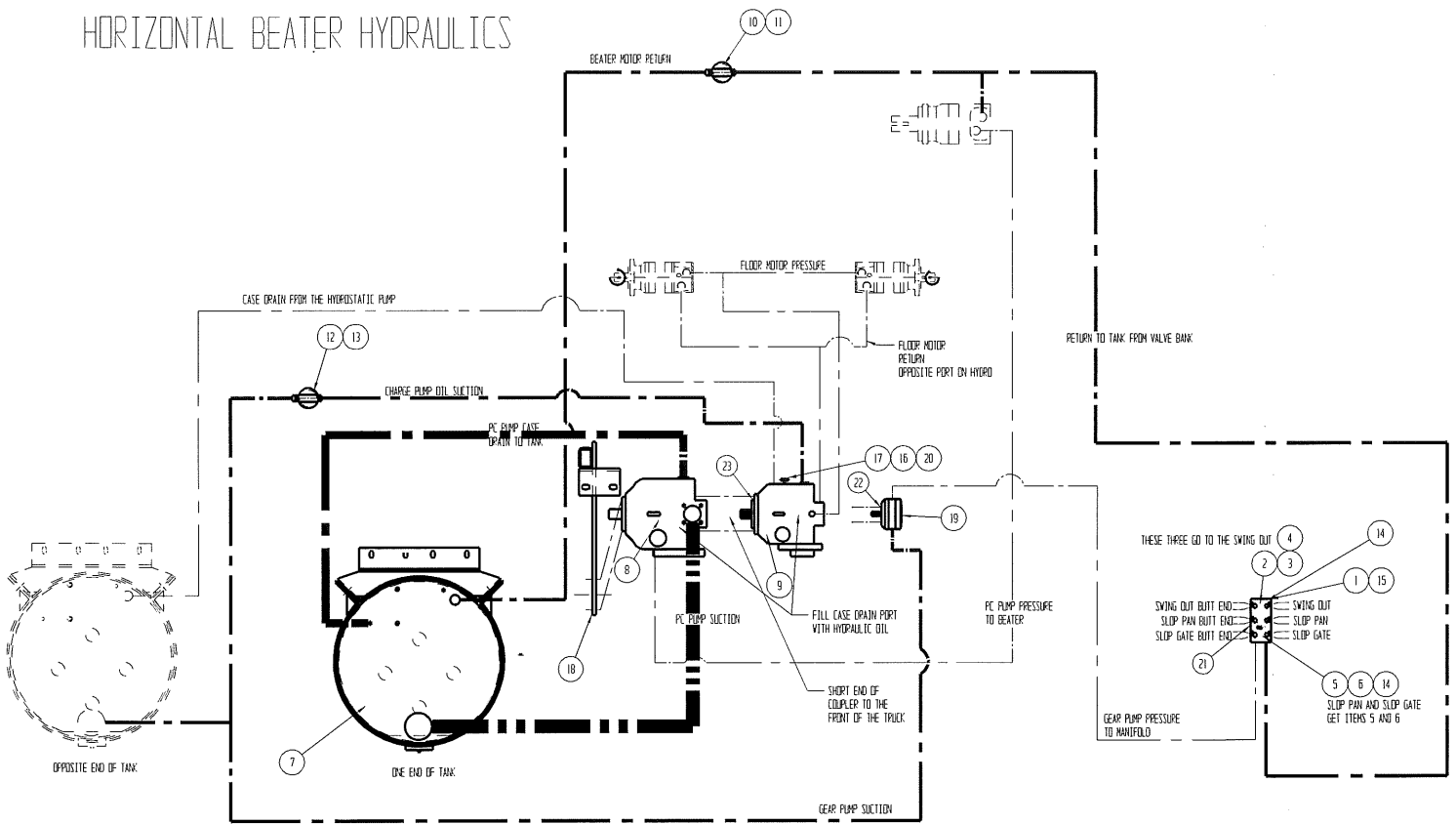
PHONE (208) 722-5116 FAX (208) 722-6012

E-Mail: www.parmacompany.com

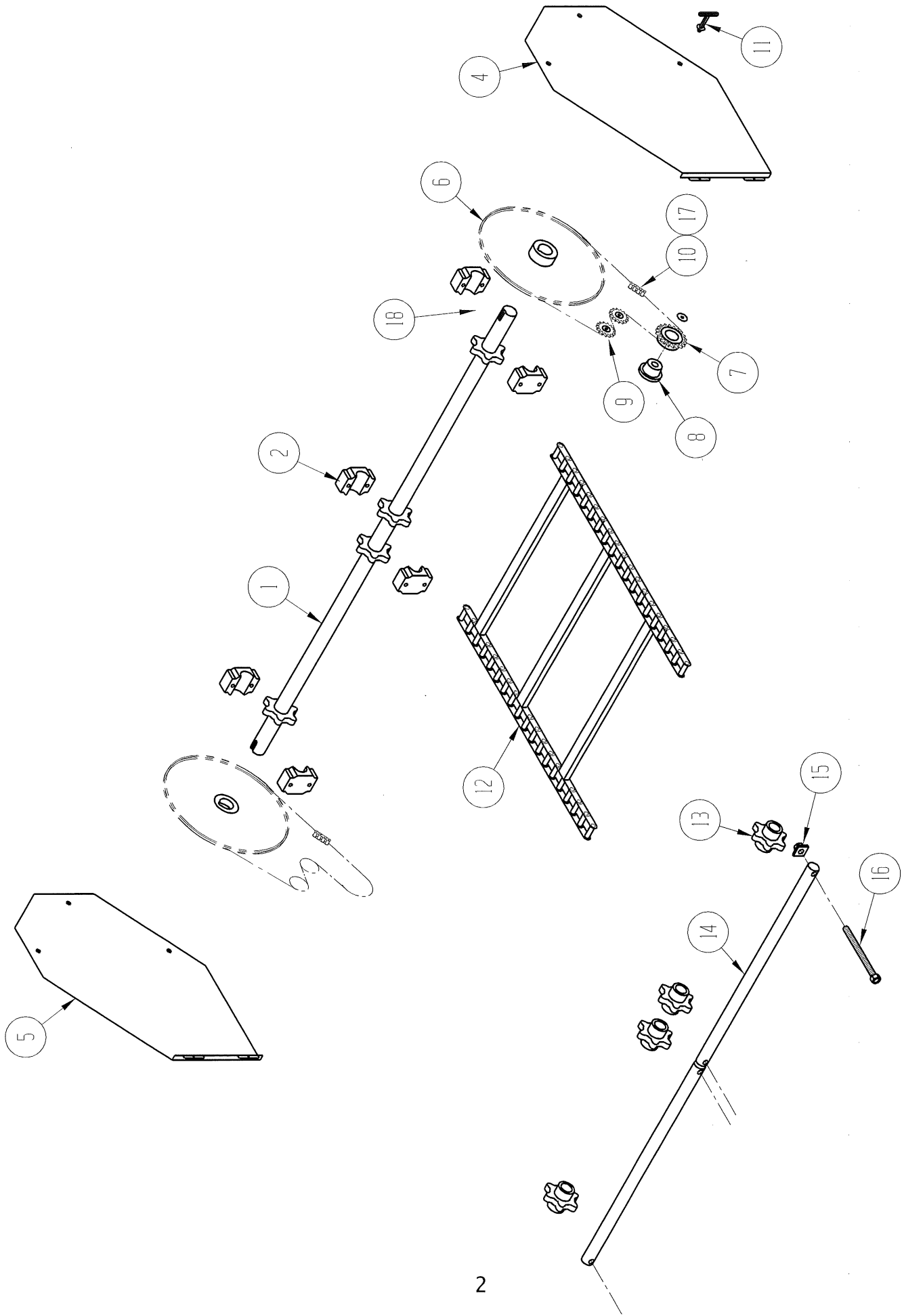
TABLE OF CONTENTS

| | |
|----------------------------------|----|
| BEATER ATTACHMENT..... | 19 |
| BOX ACCESSORIES | 9 |
| DECAL GROUP | 15 |
| FLOOR CHAIN DRIVE ASSEMBLY | 3 |
| HYDRAULIC COMPONENTS | 1 |
| SLOP GATE AND PAN..... | 21 |
| SPINNER ASSEMBLY | 13 |
| SPINNER HYDRAULICS | 5 |
| SPINNER PUMP | 11 |
| SPINNER RESERVOIR | 7 |
| TRAILER PARTS | 17 |

HORIZONTAL BEATER HYDRAULICS



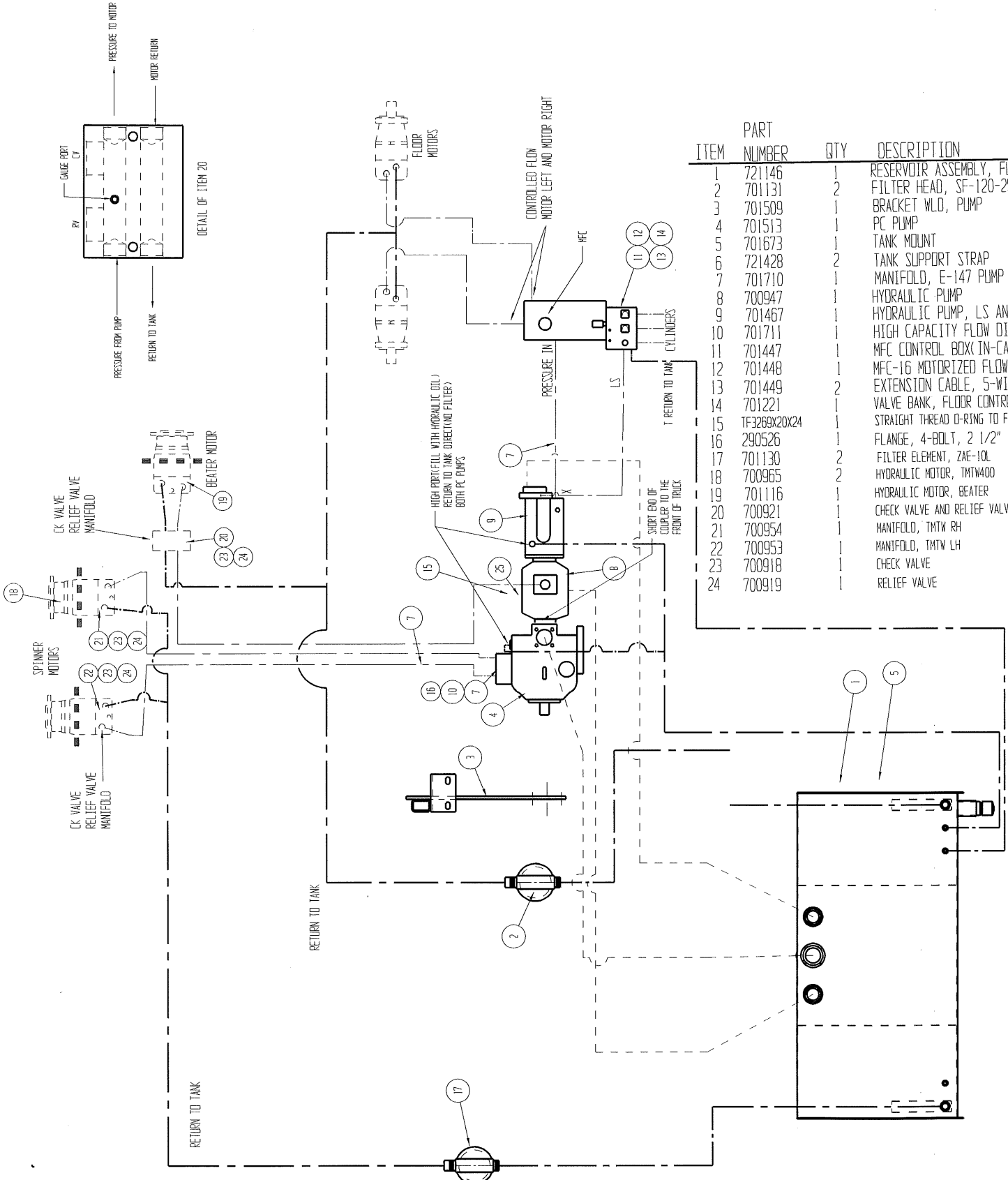
- | | | | |
|----|---|--------|-------------------------------------|
| 1 | 1 | 701742 | MANIFOLD, DO3 3-BANK |
| 2 | 1 | 701729 | CYLINDER VALVE(USE WITH P.D. CHECK) |
| 3 | 1 | 701660 | BOLT KIT |
| 4 | 1 | 701659 | P.D. CHECK VALVE |
| 5 | 2 | 701597 | CYLINDER VALVE |
| 6 | 2 | 701598 | BOLT KIT |
| 7 | 1 | 701746 | ROUND TANK ASM |
| 8 | 1 | 701749 | HYDRAULIC PUMP, PC F SERIES |
| 9 | 1 | 701750 | HYDROSTATIC PUMP, SERIES 40-44cc |
| 10 | 1 | 701131 | FILTER HEAD |
| 11 | 1 | 701130 | FILTER ELEMENT |
| 12 | 1 | 701604 | FILTER HEAD ASSEM. CHARGE PUMP |
| 13 | 1 | 701606 | FILTER ELEMENT-CHARGE PUMP |
| 14 | 6 | 701629 | VALVE CABLE, 3' PIGTAIL |
| 15 | 1 | 700323 | ELECTRICAL CONTROLS |
| 16 | 2 | 700514 | CLEVIS |
| 17 | 1 | 700277 | SHIFT CABLE |
| 18 | 1 | 701509 | PUMP MOUNT |
| 19 | 1 | 701751 | GEAR PUMP, CYLINDERS LH |
| 20 | 1 | 701839 | TRUNION WLD |
| 21 | 1 | 701651 | RELIEF VALVE, SAUER DANFOSS |
| 22 | 1 | 290062 | O-RING, # 236 |
| 23 | 1 | 701404 | O-RING # 242 |



FLOOR CHAIN DRIVE ASSEMBLY

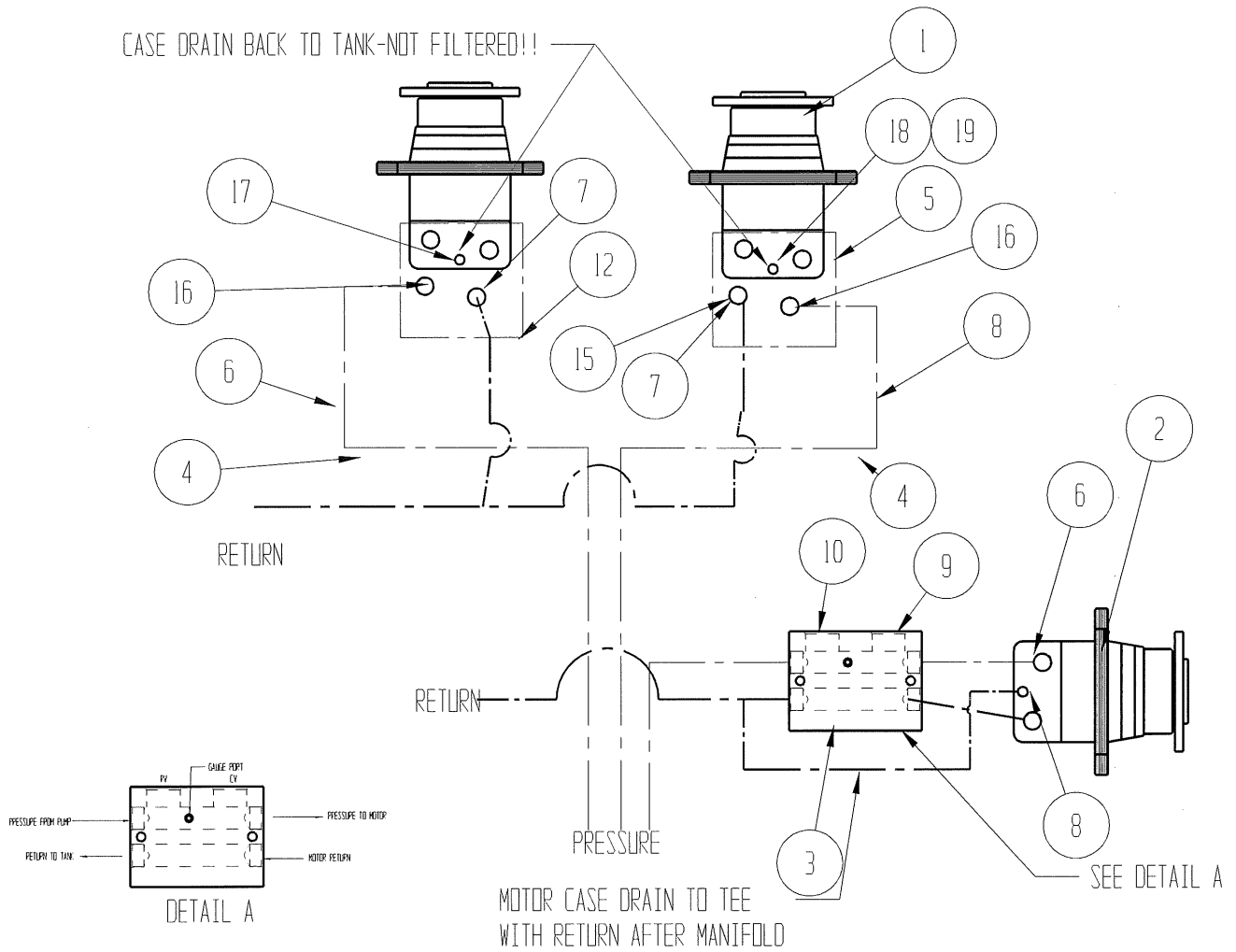
| ITEM NO. | QUANTITY | PART NO. | DESCRIPTION |
|-------------|----------|-------------|--------------------------------|
| 1 | 1 | 720057 | Floor Shaft |
| 2 | 3 | 700397 | Floor Drive Bearing |
| 3 | 2 | 700044 | Chain Slot Cover |
| 4 | 1 | 700395 | LH Drive Door |
| 5 | 1 | 700399 | RH Drive Door |
| 6 | 2 | 720249 | Sprocket, 80C70 |
| 7 | 2 | 720755 | Sprocket, P1 80 11 Tooth |
| 8 | 2 | 720545 | Bushing, P1 (1 1/2" Bore) |
| 9 | 4 | 980751 | Idler Sprocket, RC80, 12T |
| 10 | 2 | 980912 | Roller Chain, RC80 HD, 96" |
| | - | - | - |
| 11 | 1 | 700398 | Latch Key |
| 12 | 8 | 720055 | Chain Section, Floor (10 Ft.) |
| 13 | 4 | 700246 | Idler Sprocket, 1 15/16 Bore |
| 14 | 2 | 720053 | Idler Shaft |
| 15 | 4 | 700129 | Tensioner Nut |
| 16 | 4 | 720054 | Tensioner Rod |
| 17 | 1 | 980927 | Master Link, RC80 Hvy Duty |
| 18 | 2 | 720979 | Floor Motor, TKO500(not shown) |

SPINNER HYDRAULIC WET KIT

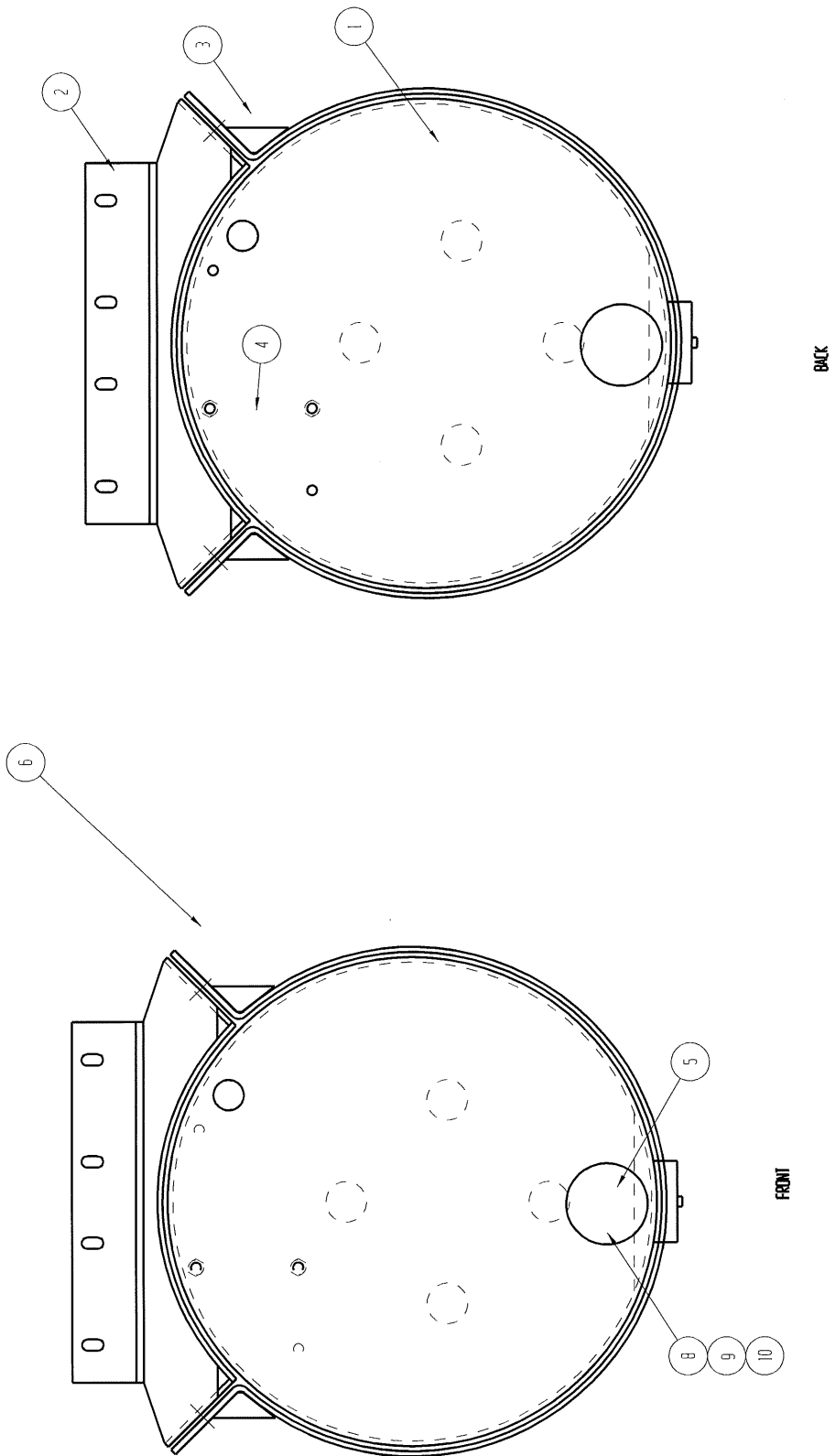


| ITEM | PART NUMBER | QTY | DESCRIPTION |
|------|--------------|-----|---------------------------------------|
| 1 | 721146 | 1 | RESERVOIR ASSEMBLY, FUB |
| 2 | 701131 | 2 | FILTER HEAD, SF-120-25-2 |
| 3 | 701509 | 1 | BRACKET WLD, PUMP |
| 4 | 701513 | 1 | PC PUMP |
| 5 | 701673 | 1 | TANK MOUNT |
| 6 | 721428 | 2 | TANK SUPPORT STRAP |
| 7 | 701710 | 1 | MANIFOLD, E-147 PUMP |
| 8 | 700947 | 1 | HYDRAULIC PUMP |
| 9 | 701467 | 1 | HYDRAULIC PUMP, LS AND PC |
| 10 | 701711 | 1 | HIGH CAPACITY FLOW DIVIDER |
| 11 | 701447 | 1 | MFC CONTROL BOX (IN-CAB CONTROL BOX) |
| 12 | 701448 | 1 | MFC-16 MOTORIZED FLOW CONTROL |
| 13 | 701449 | 2 | EXTENSION CABLE, 5-WIRE |
| 14 | 701221 | 1 | VALVE BANK, FLOOR CONTROL |
| 15 | TF3269X20X24 | 1 | STRAIGHT THREAD O-RING TO FEMALE PIPE |
| 16 | 290526 | 1 | FLANGE, 4-BOLT, 2 1/2" (SAE) |
| 17 | 701130 | 2 | FILTER ELEMENT, ZAE-10L |
| 18 | 700965 | 2 | HYDRAULIC MOTOR, TMTW400 |
| 19 | 701116 | 1 | HYDRAULIC MOTOR, BEATER |
| 20 | 700921 | 1 | CHECK VALVE AND RELIEF VALVE MANIFOLD |
| 21 | 700954 | 1 | MANIFOLD, TMTW RH |
| 22 | 700953 | 1 | MANIFOLD, TMTW LH |
| 23 | 700918 | 1 | CHECK VALVE |
| 24 | 700919 | 1 | RELIEF VALVE |

SPINNER MOTOR GROUP

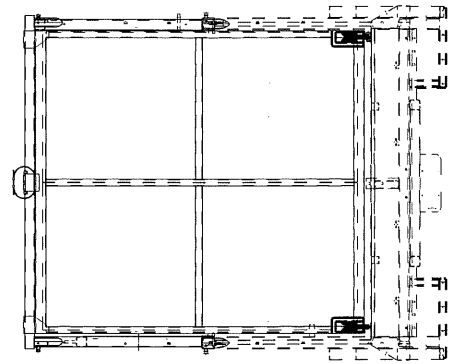
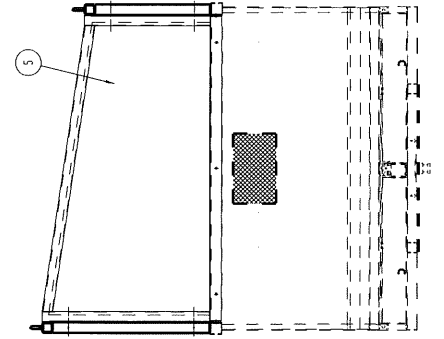
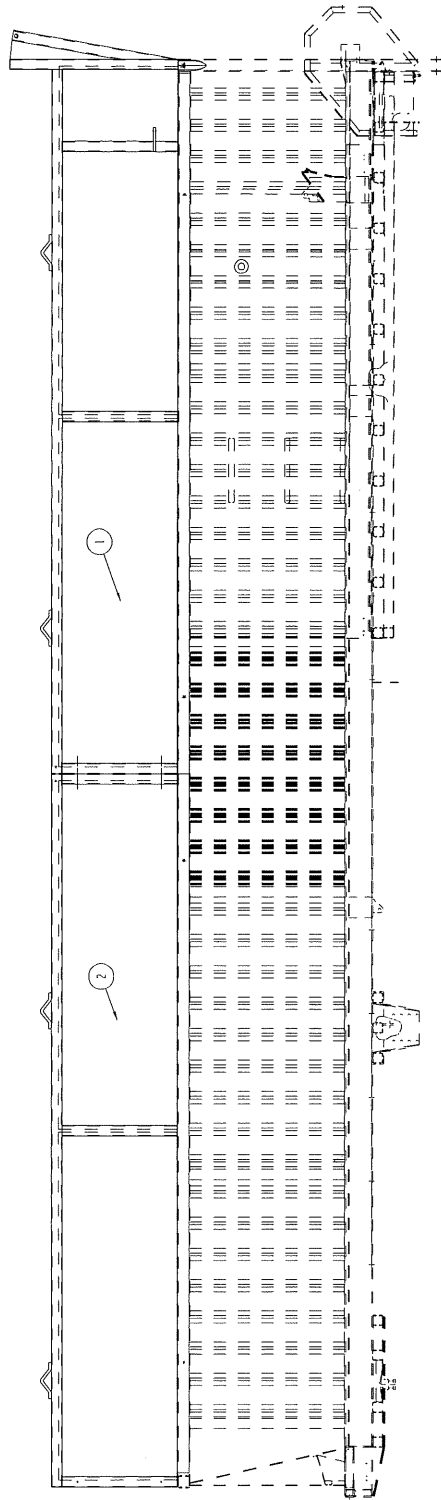
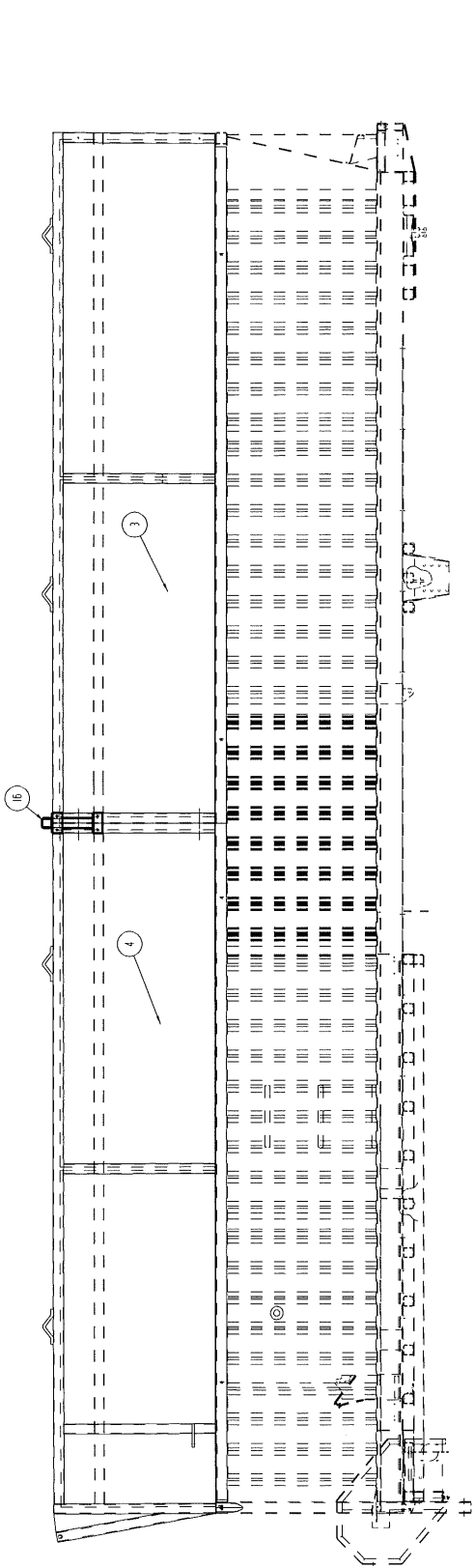


| | | | |
|----|----|------------|---------------------------|
| 1 | 2 | 700965 | Hydraulic Motor, TMTW 400 |
| 2 | 1 | 701116 | Hydraulic Motor, Beater |
| 3 | 1 | 700921 | CV and RV Manifold |
| 4 | 4 | 451TC-12 | Hydraulic Hose, 3/4" |
| 5 | 1 | 700954 | Manifold, TMTW RH |
| 6 | 2 | 3503-12-12 | Fitting |
| 7 | 2 | 0503-12-16 | Fitting |
| 8 | 1 | 3503-6-6 | Fitting |
| 9 | 3 | 700918 | Check Valve |
| 10 | 3 | 700919 | Relief Valve |
| 11 | 1 | 3903-16-16 | Fitting |
| 12 | 1 | 700953 | Manifold, TMTW LH |
| 13 | 10 | 700971 | Hex Socket Head Bolt |
| 14 | 10 | 700972 | High Collar Lock Washer |
| 15 | 1 | 393T-16-16 | Fitting |
| 16 | 2 | 2503-12-12 | Fitting |
| 17 | 1 | 2503-4-6 | Fitting |
| 18 | 1 | 0506-4-6 | Fitting |
| 19 | 1 | 033T-6-6 | Fitting |



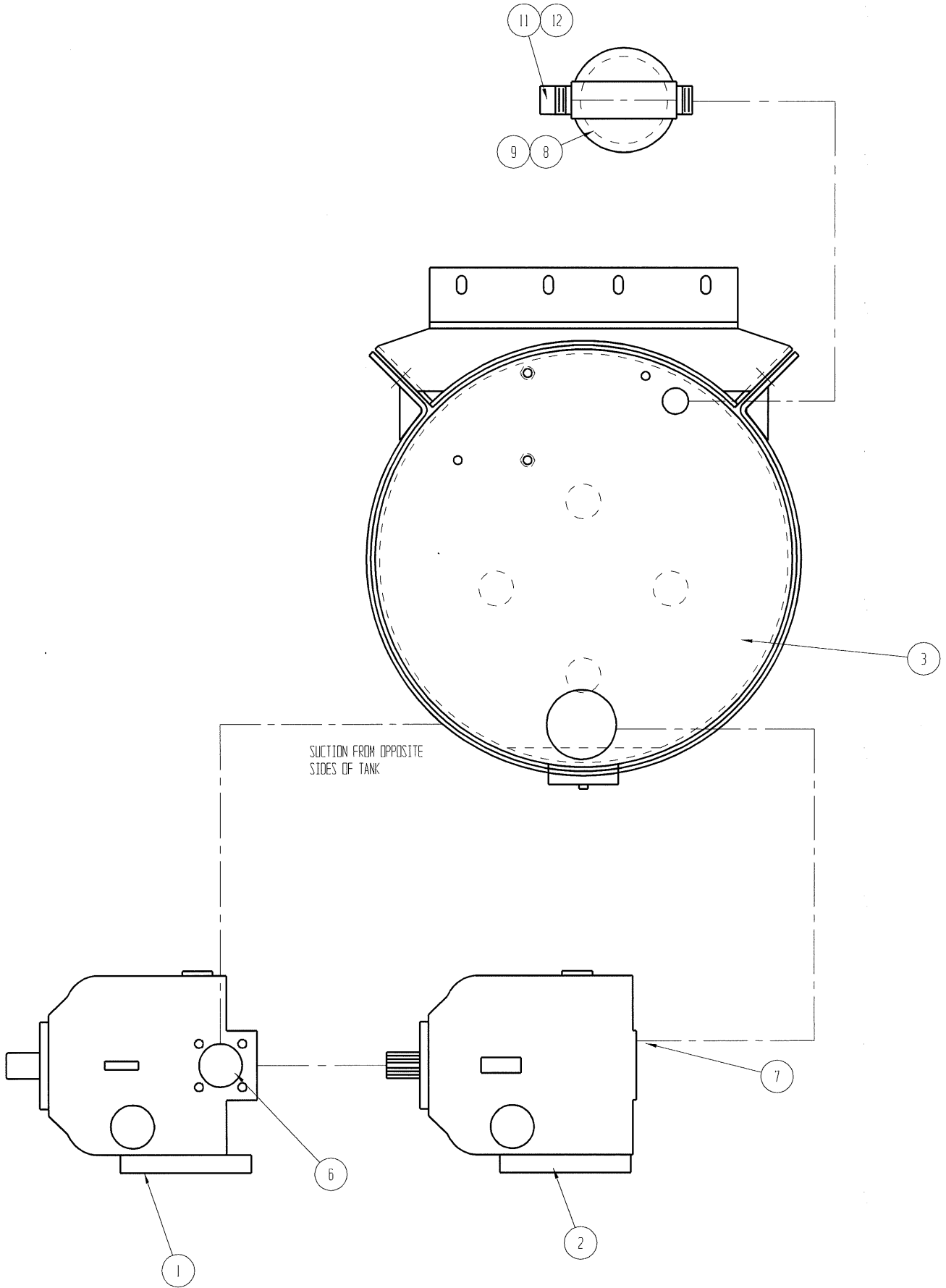
SPINNER HYDRAULIC RESERVOIR ASSEMBLY

| ITEM NO. | QUANTITY | PART NO. | DESCRIPTION |
|-------------|----------|-------------|---------------------|
| 1 | 1 | 701403 | Saddle Tank Wld |
| 2 | 2 | 701411 | Mount Wld Reservoir |
| 3 | 2 | 701413 | Tank Strap Wld |
| 4 | 2 | 700231 | Sight Temp Gauge |
| 5 | 2 | 700866 | Tank Strainer |
| 6 | 2 | 701211 | Filler Breather |
| 7 | 1 | 701428 | Rubber |
| 8 | 2 | ----- | Nipple, 3" Close |
| 9 | 2 | ----- | 3" Ball Valve |
| 10 | 2 | ----- | King Nipple, 3" |



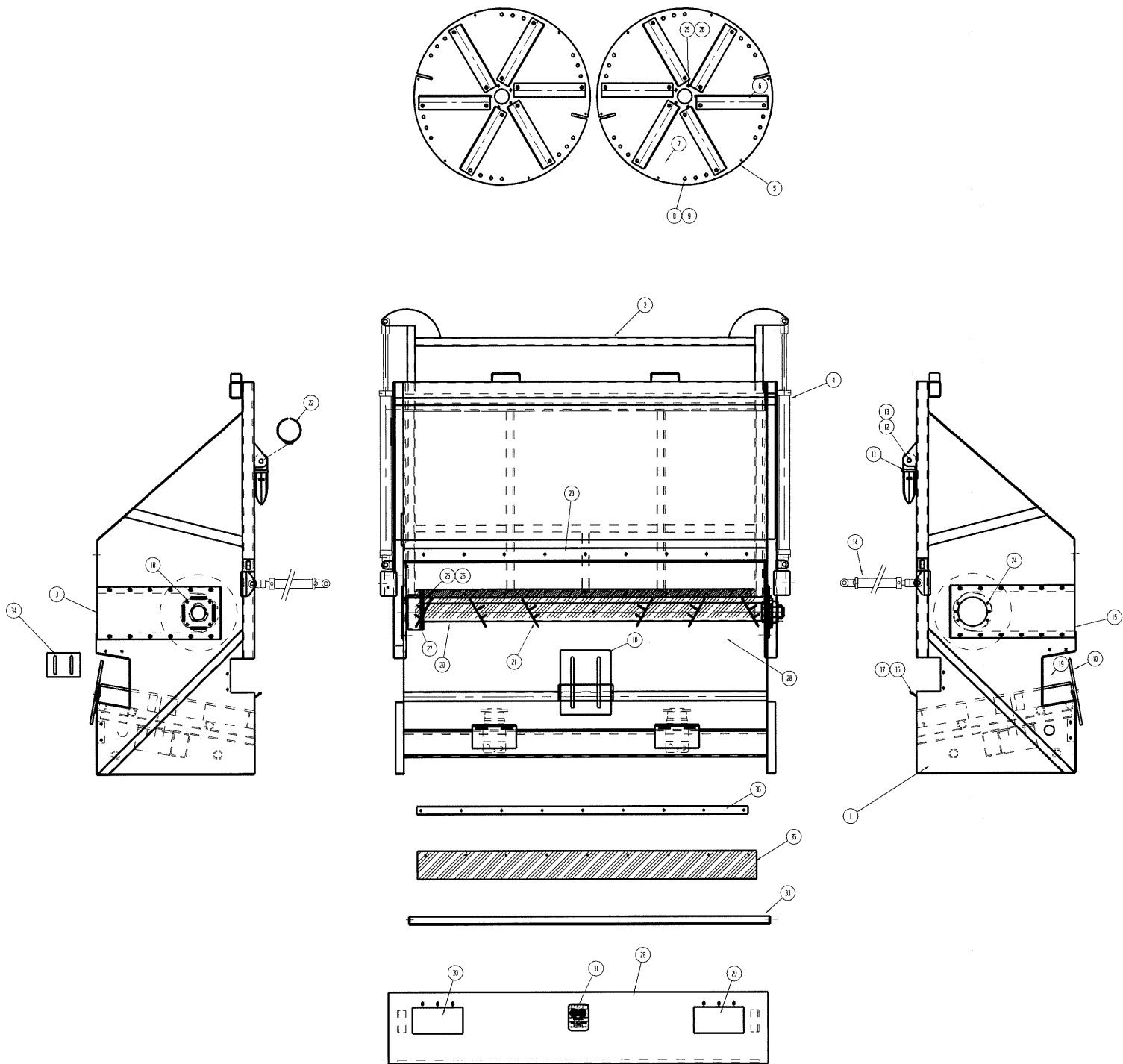
BOX ACCESSORIES

| ITEM NO. | QUANTITY | PART NO. | DESCRIPTION |
|-------------|----------|-------------|-----------------------------------|
| 1 | 1 | 721270 | Front Wall Extension(if equipped) |
| 2 | 1 | 721698 | Wall, Rear Driver Side |
| 3 | 1 | 721567 | Wall, Front Driver Side |
| 4 | 1 | 721572 | Wall, Front Pass Side |
| 5 | 1 | 721701 | Wall, Rear Pass Side |
| 6 | 1 | 721508 | TailGate Assembly 8' |
| 7 | 1 | 721269 | Cross Over Brace |



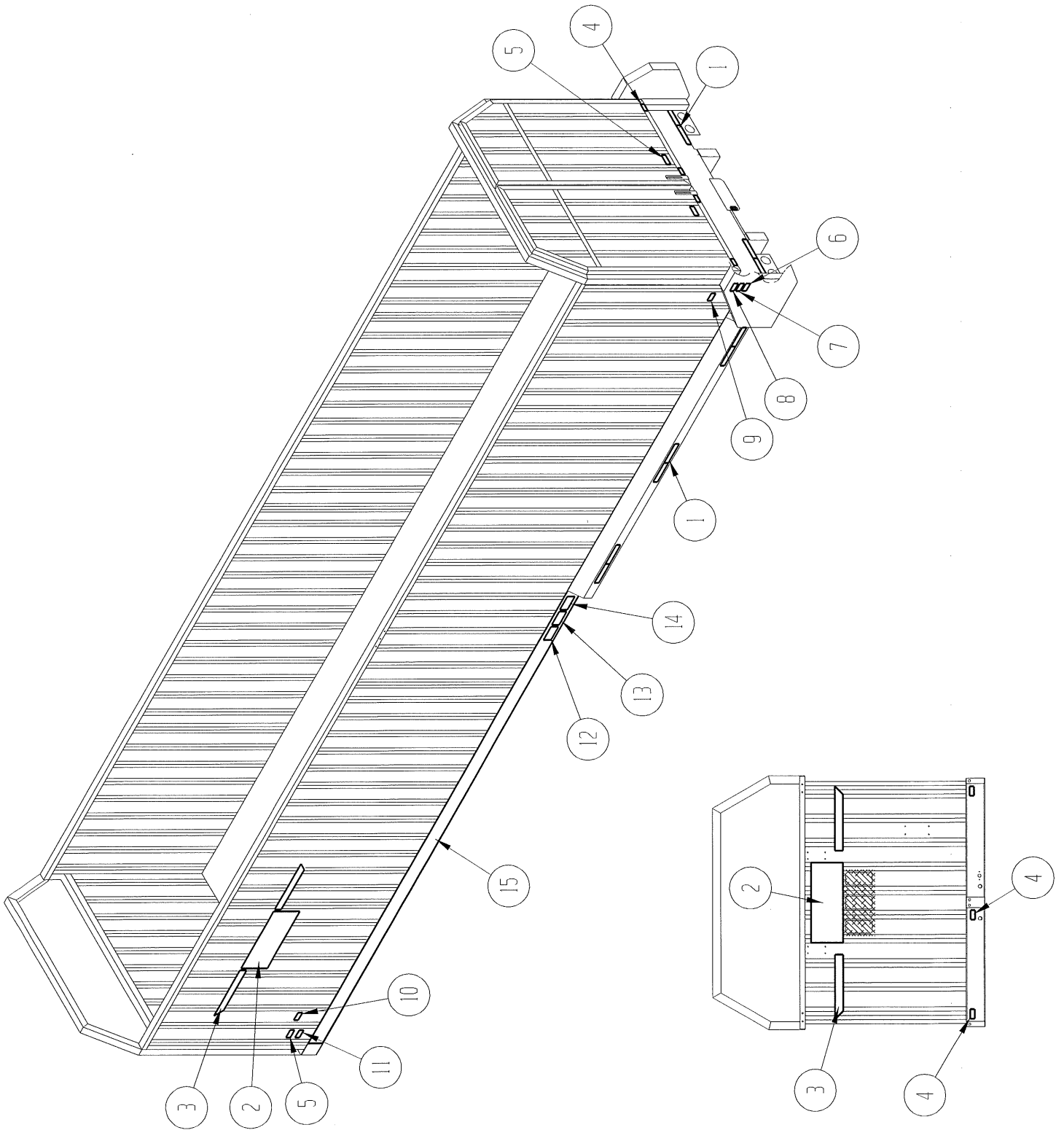
SPINNER HYDRAULIC PUMP ASSEMBLY

| ITEM NO. | QUANTITY | PART NO. | DESCRIPTION |
|-----------------|-----------------|-----------------|-----------------------------|
| 1 | 1 | 701652 | Hydraulic Pump, E-130 Front |
| 2 | 1 | 701653 | Hydraulic Pump, E-130 Back |
| 3 | 1 | 701674 | Round Tank Asm |
| 4 | 1 | 20XEQ2 | Code 62 Fiting |
| 5 | 1 | 20XHQ2 | Code 62 Fitting |
| 6 | 1 | 23867-40-40 | Fitting |
| 7 | 1 | 23876-40-40 | Fitting |
| 8 | 1 | 701131 | Filter Head |
| 9 | 2 | 701130 | Filter Element |
| 10 | 2 | 10643-20-16 | Fitting |
| 11 | 2 | 0103-20-20 | Fitting |
| 12 | 6 | 10643-20-20 | Fitting |
| 13 | 2 | 10343-20-20 | Fitting |
| 14 | 2 | 5151HK-40 | Flange Kit 2 ½" Code 61 |
| 15 | 2 | HFHFHK-20 | Flange Kit, 1 ¼" Code 62 |



SPINNER ASSEMBLY

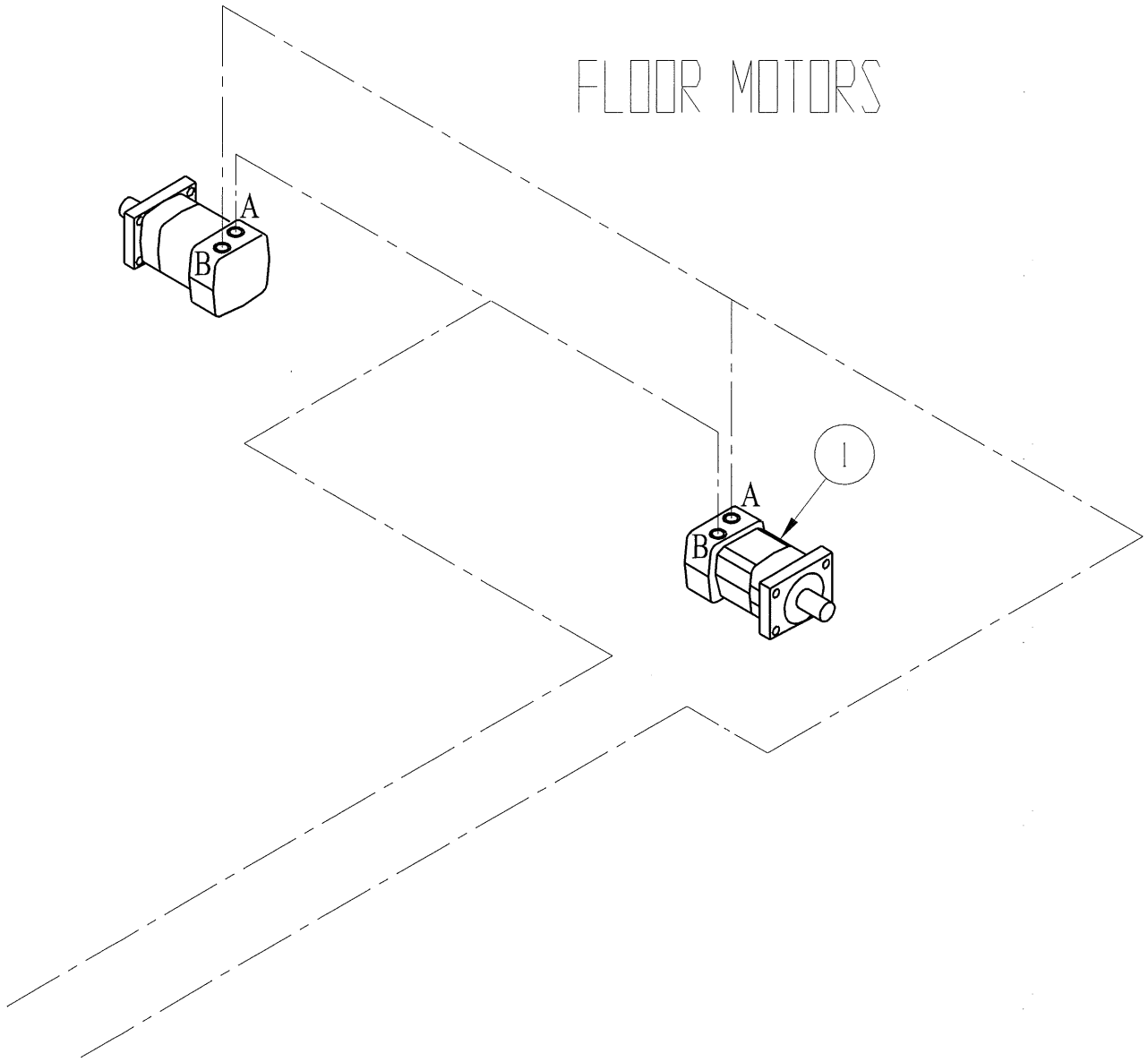
| ITEM NO. | QUANTITY | PART NO. | DESCRIPTION |
|-------------|----------|-------------|----------------------------------|
| 1 | 1 | 701095 | Spinner Frame Wld |
| 2 | 1 | 701061 | Sliding Gate, Asm |
| 3 | 1 | 701066 | Bearing Plate Wld |
| 4 | 2 | 700786 | Cylinder, 2 ½ x 36" |
| 5 | 2 | 701080 | Plate, Spinner TMTW |
| 6 | 2 | 701082 | Plastic Cover, Spinner TMTW |
| 7 | 12 | 701081 | Fin, Spinner |
| 8 | 24 | - | Carriage Bolt, 5/8" |
| 9 | 24 | - | Lock Nut, 5/8" |
| 10 | 1 | 701103 | Plate, Spreader Deflector |
| 11 | 2 | 701077 | Drop-In Hinge Weld, WB |
| 12 | 2 | - | Hex Bolt, 1 x 3 ½" |
| 13 | 2 | - | Lock Nut, 1" |
| 14 | 2 | 998942 | Cylinder, 2 x 24" |
| 15 | 1 | 701122 | Motor Mount Plate |
| 16 | 2 | 701091 | Support Bar |
| 17 | 2 | 701092 | Rubber Cleaning Strip |
| 18 | 1 | 700245 | Bearing, 2 7/16" 4-Bolt Flange |
| 19 | 1 | 701398 | Plate, Center Divider |
| 20 | 1 | 701073 | Beater Wld, Spinner WB |
| 21 | 23 | 700773 | Beater Paddle |
| 22 | 3 | 701387 | Hose Clamp |
| 23 | 1 | 701491 | Rubber Backing Strip |
| 24 | 6 | 701549 | Spring, Motor Mount |
| 25 | 15 | 701125 | Lockwasher M14 |
| 26 | 15 | 700983 | Hex Bolt, M14 x 30mm x 1.5 Pitch |
| 27 | 1 | 701121 | Beater Paddle |
| 28 | 1 | 701104 | Taillight Mount Wld |
| 29 | 1 | 720175 | Taillight RH |
| 30 | 1 | 720174 | Taillight LH |
| 31 | 1 | 700829 | Decal, Spinner Warning |
| 32 | 1 | 701107 | Rubber Beater Flap |
| 33 | 1 | 701108 | Bracket |
| 34 | 1 | 701085 | Deflector, Side Panel |
| 35 | 1 | 701064 | Rubber Belting |
| 36 | 1 | 701063 | Rubber Backing Strip |



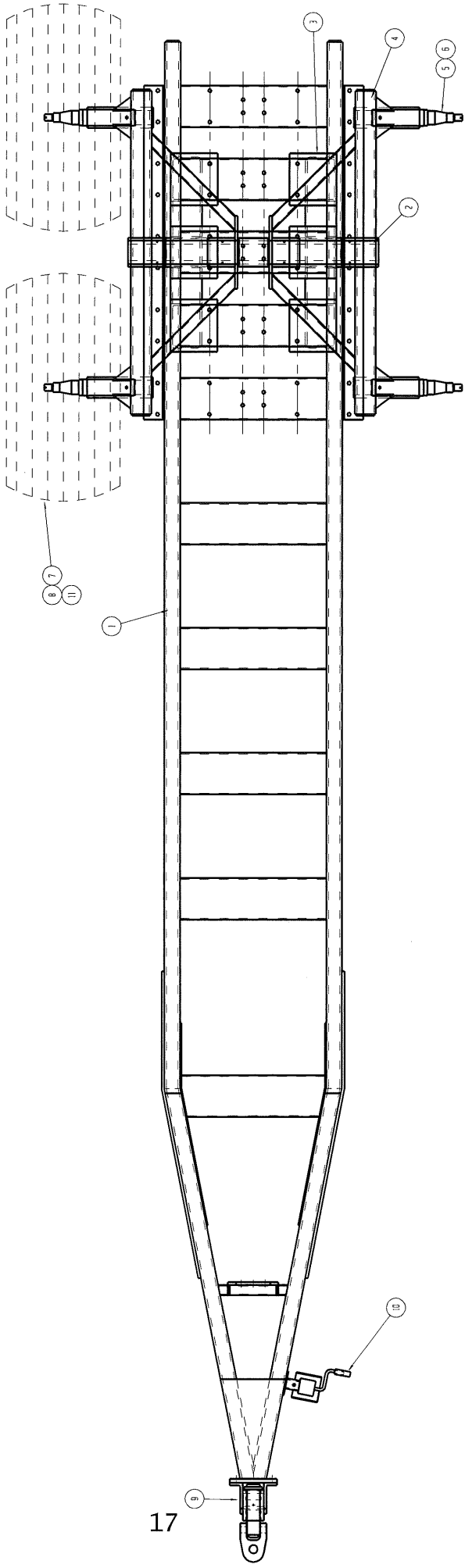
DECAL GROUP

| ITEM NO. | QUANTITY | PART NO. | DESCRIPTION |
|----------|----------|----------|---------------------------|
| 1 | 2 | 700500 | Decal, Always Turn |
| 2 | 2 | 700502 | Decal, Replace Shields |
| 3 | 2 | 700498 | Decal, Chain Lube |
| 4 | 1 | 700503 | Decal, Prevent Injury |
| 5 | 1 | 700492 | Decal, Lubricate |
| 6 | 1 | 700491 | Decal, Grease |
| 7 | 1 | 700489 | Decal, Adjust chains |
| 8 | 2 | 700490 | Decal, Supra Box |
| 9 | 2 | 700493 | Decal, Do Not |
| 10 | 1 | 700488 | Decal, Hydraulic Oil |
| 11 | 2 | 700563 | Decal, Yellow Strip 2" |
| 12 | 7 | 700497 | Decal, Grease Gun |
| 13 | 5 | 700496 | Decal, By Parma |
| 14 | 6 | 700499 | Decal, Stripe |
| 15 | 2 | 817764 | Decal, Parma Oval |
| 16 | 2 | 700563 | Decal, Yellow Strip 87 ¼" |
| 17 | 4 | 700495 | Decal, Reflector Strip |
| 18 | 1 | 100749 | Serial Tag |
| 19 | 2 | 700563 | Decal, Yellow Strip 13 ½" |

FLOOR MOTORS

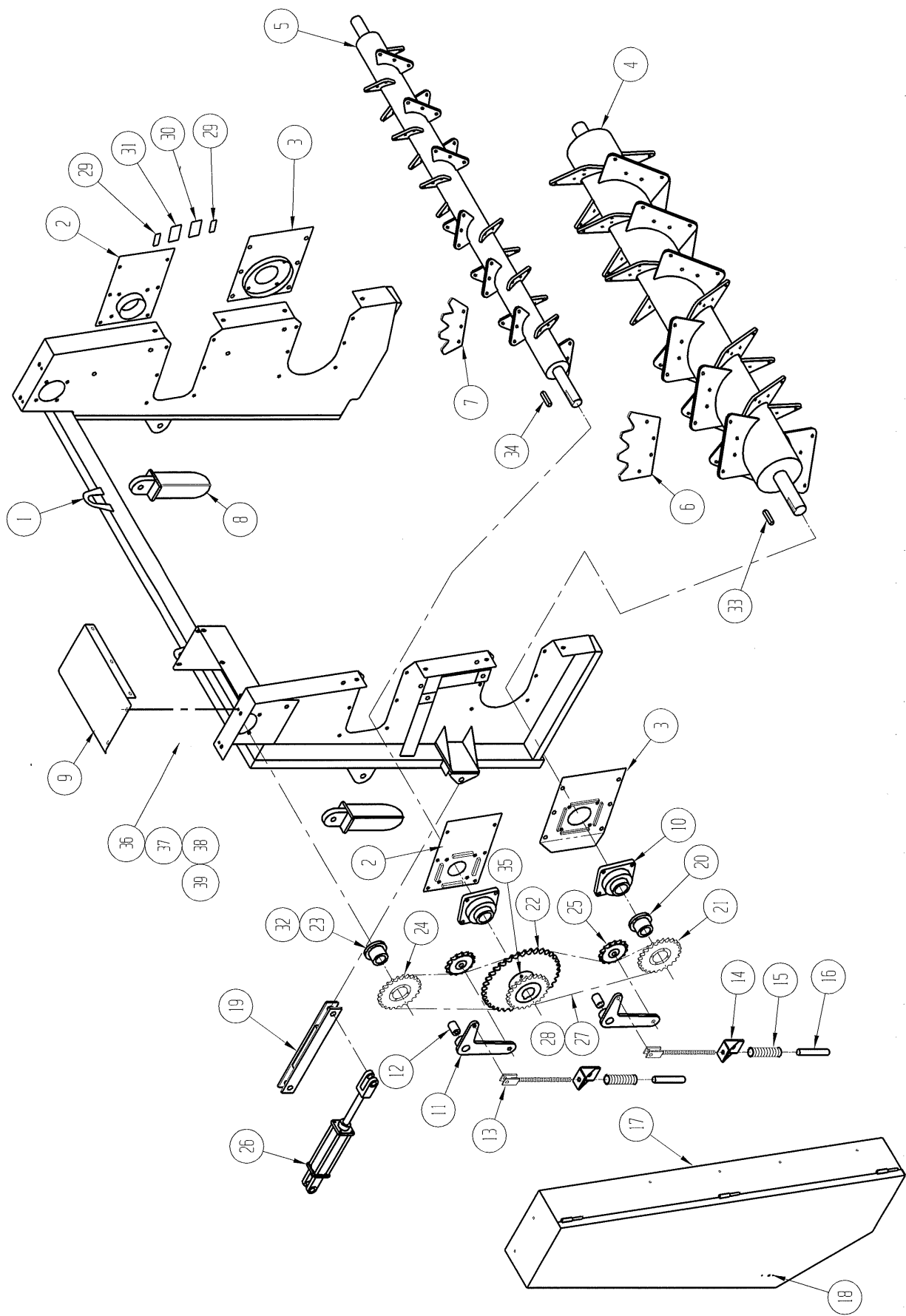


| ITEM | PART NUMBER | QTY | DESCRIPTION |
|------|-------------|-----|----------------------------|
| 1 | 720919 | 2 | HYDRAULIC MOTOR PARKER 500 |



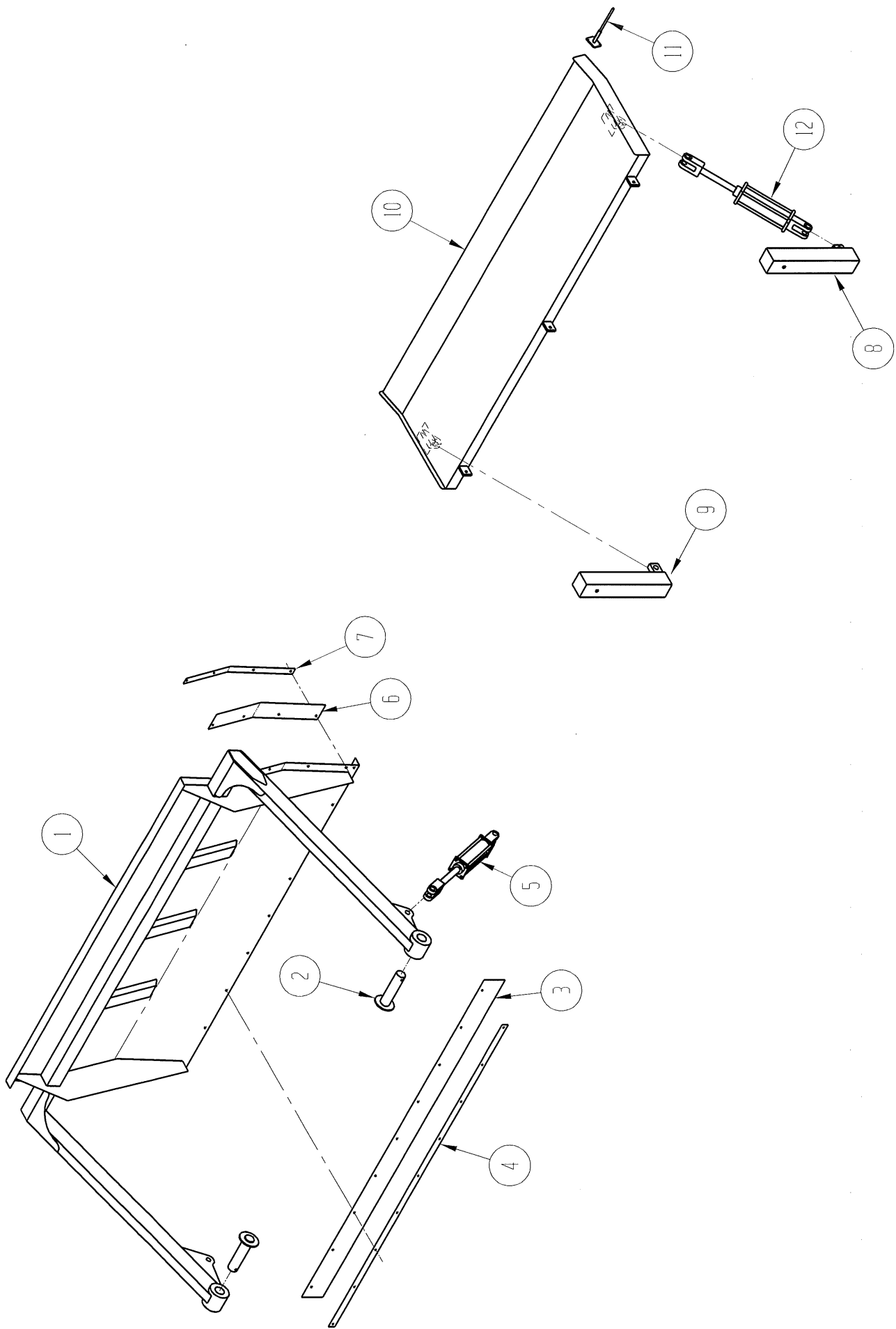
TRAILER PARTS

| ITEM NO. | QUANTITY | PART NO. | DESCRIPTION |
|---------------------|-----------------|---------------------|----------------------------|
| 1 | 1 | 701701 | Frame Weld, Trailer |
| 2 | 1 | 701321 | Axle Weld, CB Trailer |
| 3 | 2 | 701320 | Mounting Weld, Axle |
| 4 | 2 | 701311 | Axle Pivot Weld |
| 5 | 4 | 701282 | Spindle, 871 |
| 6 | 4 | 701283 | Hub Package, 871 |
| 7 | 4 | 701351 | 16.1" Wheel, 3 3/16 Offset |
| 8 | 4 | 701280 | Tire, 21.5L-16.1 FI |
| 9 | 1 | 264654 | Swivel Hitch |
| 10 | 1 | 701324 | Screw Jack |
| 11 | 4 | 701325 | Tire Tube |



MANURE SPREADER ASSEMBLY

| ITEM NO. | QUANTITY | PART NO. | DESCRIPTION |
|-------------|----------|-------------|------------------------------------|
| 1 | 1 | 721291 | Spreader Chassis |
| 2 | 2 | 700602 | Top Bearing Plate |
| 3 | 2 | 700604 | Bottom Bearing Plate |
| 4 | 1 | 721298 | Bottom Beater |
| 5 | 1 | 721293 | Top Beater |
| 6 | 24 | 701759 | Bottom Paddle |
| 7 | 24 | 701758 | Top Paddle |
| 8 | 2 | 701077 | Drop In Hinge |
| 9 | 1 | 700628 | Top Motor Cover |
| 10 | 4 | 700245 | Flanged Bearing, 4- Hole, 2 7/16" |
| 11 | 2 | 700599 | Idler Arm |
| 12 | 2 | 700596 | Pivot Spacer |
| 13 | 2 | 266538 | Draw Bolt |
| 14 | 2 | 264601 | Take-Up Angle |
| 15 | 2 | 700601 | Tightener Spring |
| 16 | 2 | 700600 | Spring Spacer |
| 17 | 1 | 700591 | Drive Cover |
| 18 | 1 | 700281 | Latch |
| 19 | 2 | 700660 | Lock Bar |
| 20 | 1 | 700630 | Bushing, Q1-2 7/16" |
| 21 | 1 | 700629 | Sprocket, 100Q 20 Tooth |
| 22 | 1 | 700582 | Double Sprocket |
| 23 | 1 | 700631 | Bushing, Q1-2 1/4" |
| 24 | 1 | 700632 | Sprocket, H100Q 16 Tooth |
| 25 | 1 | 700355 | Idler Sprocket, #100 |
| 26 | 2 | 700424 | Hydraulic Cylinder, 2 x 8 |
| 27 | 2 | 700258 | Roller Chain, RC100 x 82 1/2" Long |
| 28 | 2 | 700259 | Master Link, RC100 |
| 29 | 2 | 700497 | Decal, Grease Gun |
| 30 | 1 | 700493 | Decal, Do Not Enter |
| 31 | 1 | 700494 | Decal, Keep Hands & Feet |
| 32 | 1 | ----- | Key, 1/2 Sq. x 2 1/2" |
| 33 | 1 | ----- | Key, 5/8 Sq. x 3 7/8" |
| 34 | 1 | ----- | Key, 5/8 Sq. x 3" |
| 35 | 2 | ----- | Set Screw, 1/2 x 1 Sq. Head |
| 36 | 1 | 700623 | Hydraulic Motor |
| 37 | 1 | 700918 | Check Valve |
| 38 | 1 | 700919 | Relief Valve |
| 39 | 1 | 700949 | Motor Manifold |



SLOP GATE AND PAN OPTIONS

| ITEM NO. | QUANTITY | PART NO. | DESCRIPTION |
|---------------------|-----------------|---------------------|----------------------------|
| 1 | 1 | 721300 | Slop Gate |
| 2 | 2 | 700412 | Pivot Pin |
| 3 | 1 | 721306 | Bottom Seal |
| 4 | 1 | 721307 | Bottom Retainer Bar |
| 5 | 2 | 998165 | Hydraulic Cylinder, 3 x 10 |
| 6 | 2 | 700997 | Side Seal |
| 7 | 2 | 700996 | Side Retainer Bar |
| 8 | 1 | 701738 | Cylinder Lug Insert, LH |
| 9 | 1 | 701739 | Cylinder Lug Insert, RH |
| 10 | 1 | 701741 | Slop Pan |
| 11 | 1 | ----- | UHMW Strip, 3/8 x 2" x 10" |
| 12 | 2 | 998902 | Hydraulic Cylinder, 2 x 8 |

NOTES