

PARMA[®]

**Model 2900 Series
Beet Harvester
PARTS BOOK**

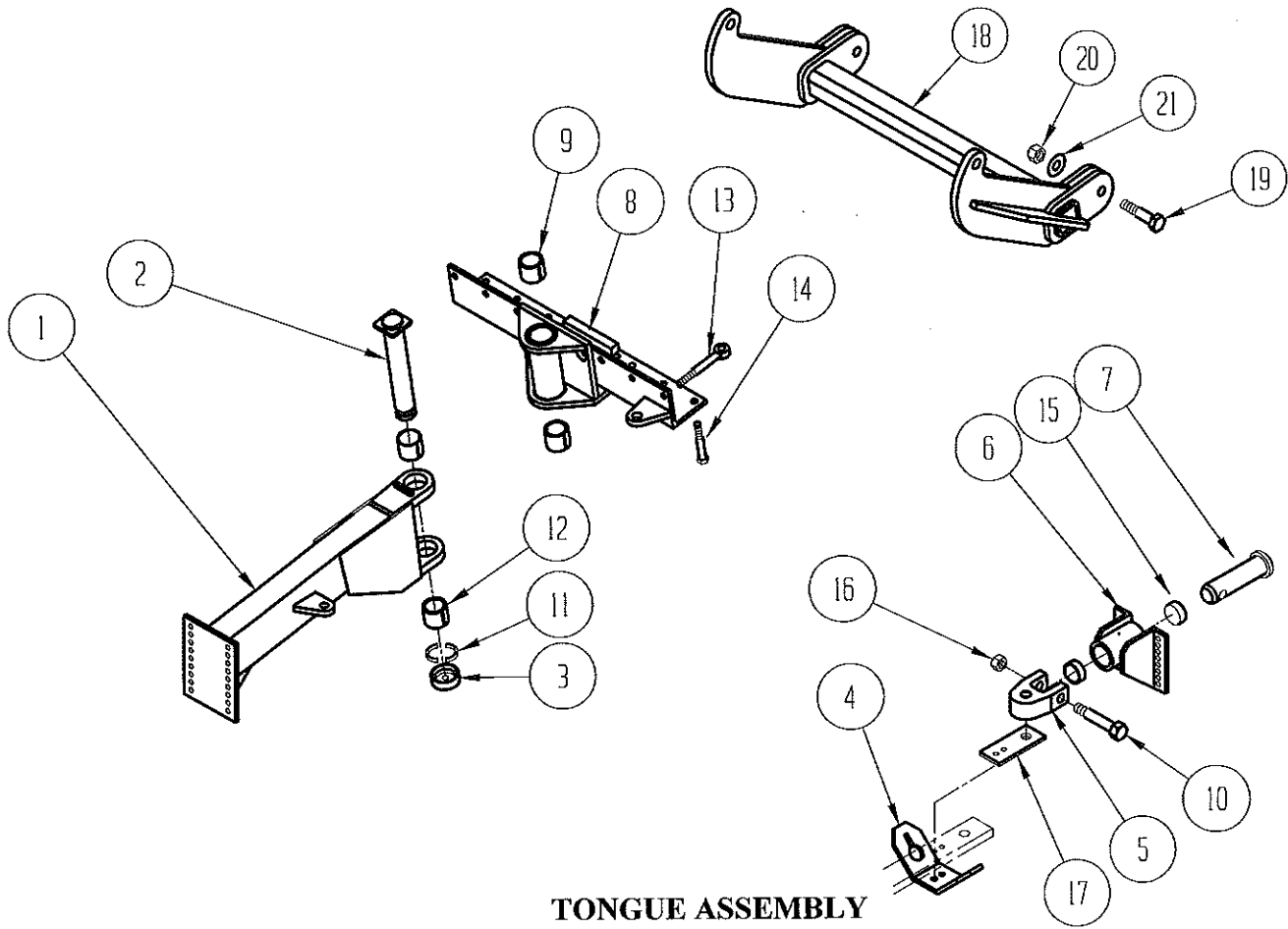
Manual Number 6012015-2900

PARMA COMPANY

P.O. BOX 190
PARMA, IDAHO 83660
PHONE (208) 722-5116 FAX (208) 722-6012
Website: www.parmacompany.com

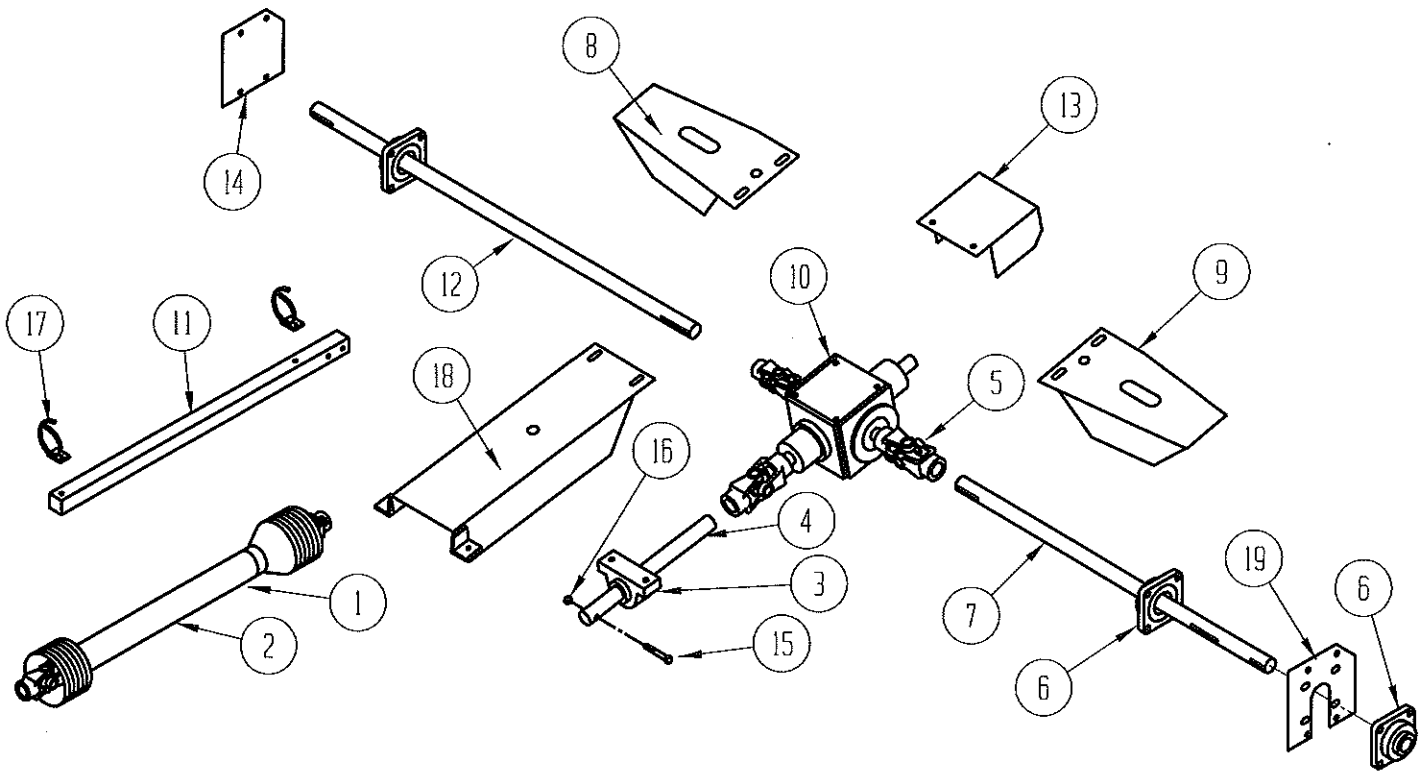
INDEX

DECAL GROUP.....	45
GRAB ROLL BED ASSEMBLY.....	20
GRAB ROLL BELT DRIVE COMPONENTS.....	18
GRAB ROLL HANGERS & DOORS.....	16
GRAB ROLL MUD FLAPS.....	15
GRAB ROLL ROCK SPRING KIT.....	14
HOPPER MOUNTING & ATTACHMENTS.....	22
HOPPER ASSEMBLY.....	24
HYDRAULIC SCHEMATIC (CYLINDERS).....	34
HYDRAULIC SCHEMATIC (MOTOR DRIVES, TRACTOR DRIVEN).....	36
HYDRAULIC RESERVOIR ASSEMBLY.....	39
LIFTER WHEEL ROCK STRUT ASSEMBLY.....	8
LIFTER WHEEL STANDARD STRUT ASSEMBLY.....	6
LIGHTING KITS.....	40
MAIN DRIVE GROUP.....	2
NON-STEERABLE REAR WHEEL ASSEMBLY.....	31
PADDLE & BAFFLE GROUP, 2966.....	10
PADDLE & BAFFLE GROUP, 2980 SERIES.....	12
PLATFORM ASSEMBLY.....	46
PTO DRIVE LINE ASSEMBLY, STANDARD.....	3
PTO DRIVE LINE ASSEMBLY, CONSTANT VELOCITY.....	4
REAR ELEVATOR ASSEMBLY.....	26
REAR ELEVATOR TOP ASSEMBLY.....	27
RETURN TO STRAIGHT, 2-WAY STEERING.....	32
ROLLERS AND IDLER SPROCKETS.....	28
ROW FINDER ASSEMBLY.....	42
ROW FINDER HYDRAULICS.....	44
SELF CONTAINED HYDRAULIC OPTION.....	38
SLIP CLUTCH ASSEMBLY.....	13
STEERABLE REAR WHEEL ASSEMBLY.....	30
TONGUE ASSEMBLY.....	1
VALVE BANK ASSEMBLY.....	33
WIRING SCHEMATIC.....	47



TONGUE ASSEMBLY

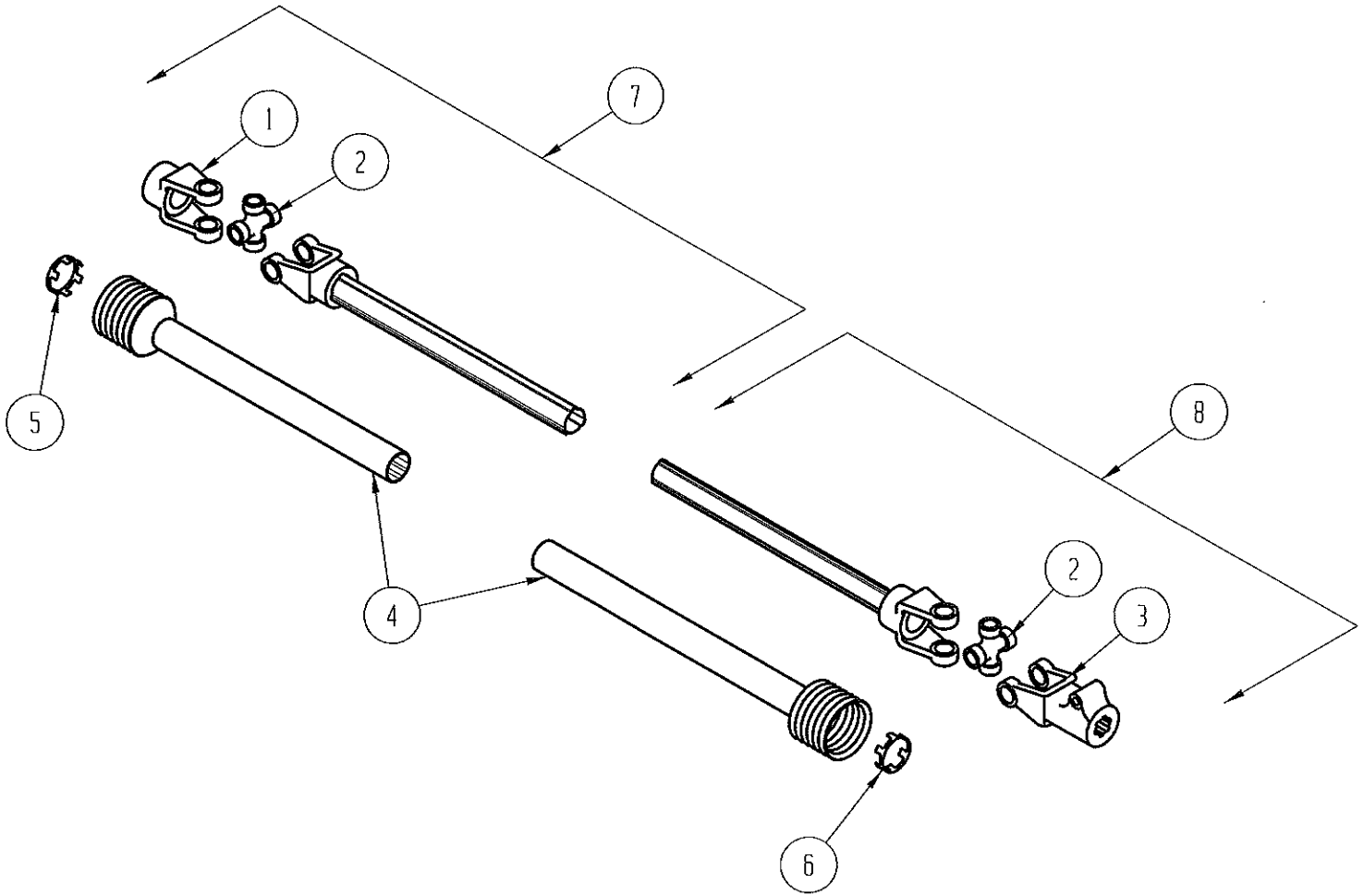
ITEM NO.	QUANTITY	PART NO.	DESCRIPTION
1	1	265562	Tongue (Less Bushing)
2	1	264458	Tongue Pin
3	1	264518	End Cap
4	1	264659	Draw Bar Support
5	1	264745	Hitch Clevis
6	1	264413	Tongue Pivot w/Bushings
7	1	264451	Pivot Pin
8	2	265565	Tongue Mounting w/ Bushings
9	2	264467	Bushing
10	1	264573	Hitch Clevis Bolt
11	1	264519	Split Collar
12	2	264469	Bushing
13	6	997903	Eye Bolt 3/4-10 x 6"
14	6	-----	Hex Cap Screw 3/4-10 x 6
15	2	264468	Bushing
16	1	-----	Hex Lock Nut, 1 1/8-7 UNC
17	1	264658	Spacer Plate
18	1	267496	Lift Bracket
19	2	-----	Hex Bolt, 1 1/4 x 5 1/2 Grade 8
20	2	-----	Lock Nut, 1 1/4
21	4	-----	Flat Washer, 1 1/4
22	1	268379	Drawbar Shim Kit



MAIN DRIVE GROUP

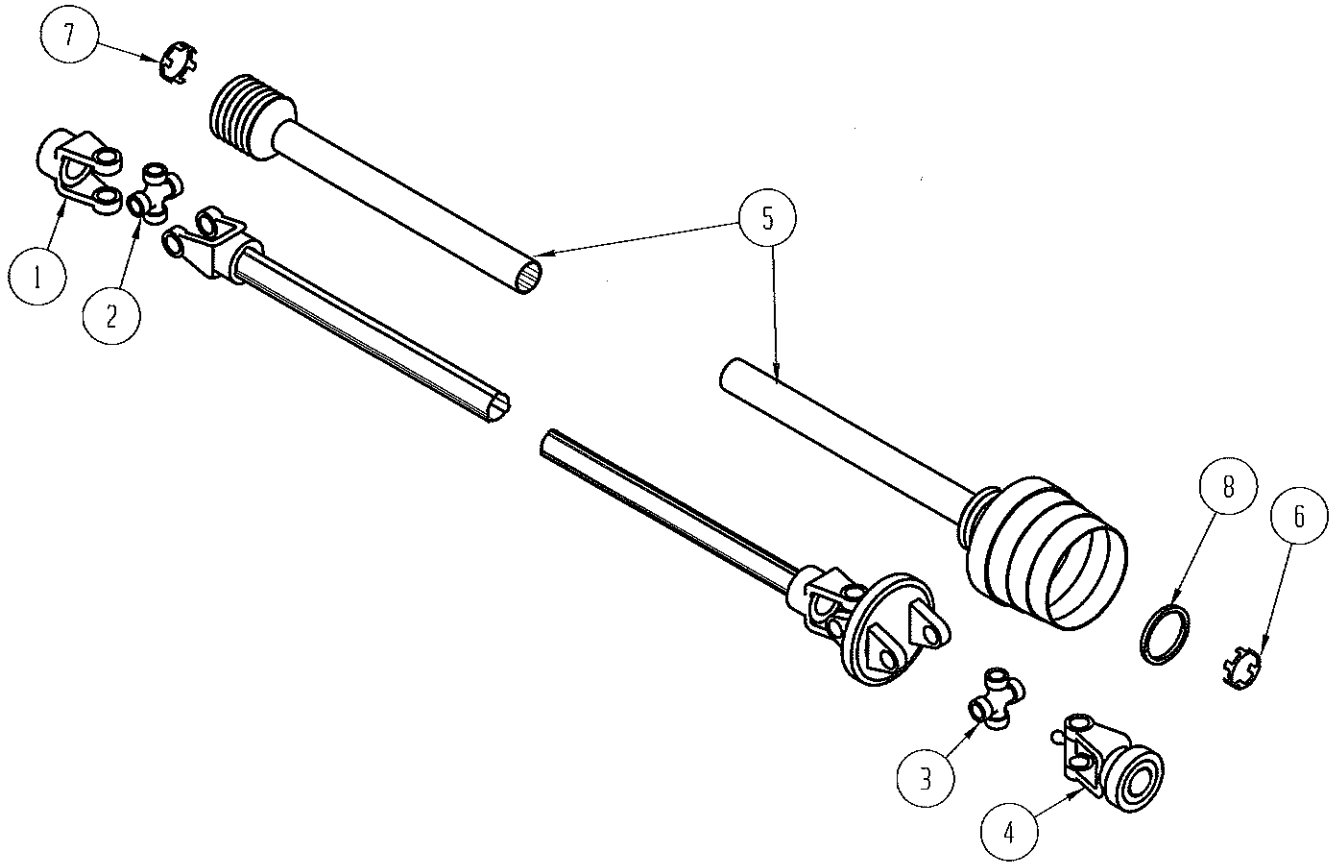
ITEM NO.	QTY	PART NO.		DESCRIPTION
		2966	2986/2988	
1	1	991040	991040	PTO Drive Line Asm 1 3/8-21
	1	991041	991041	PTO Drive Line Asm 1 3/4-20 (Bondioli, See Breakdown Pg.3)
2	1	991042	991042	C.V. PTO Drive Line 1 3/8-21
	1	991043	991043	C.V. PTO Drive Line 1 3/4-20 (Bondioli, See Breakdown Pg.4)
3	1	267470	267470	Bearing, 1 3/4 Spherical Roller
4	1	267541	267541	PTO Drive Shaft
5	6	267976	267976	Yoke, 35N 1 3/4 Bore w/ Heavy Hub
	3	990653	990653	Cross & Bearing Kit, 35N
	3	268213	268213	U-Joint Assembly, 35 N 1 3/4" Bore
6	3	980822		4-Bolt Flange Bearing 1 3/4
	4		980822	4-Bolt Flange Bearing 1 3/4
7	1	265432	267207	Cross Drive Shaft, LH
8	1	230077	230077	U-Joint Cover, RH
9	1	230078	230078	U-Joint Cover, LH
10	1	266212	266212	Gear Box 2:1(see page 48)
11	1	266556	266556	Hose Holder
12	1	265431	267207	Cross Drive Shaft, RH
13	1	266368	266368	Cover, Gear Box Shaft
14	1	267862		Bearing Plate Cover
15	1			Hex Cap Screw, 3/8 x 3 1/2, GRD 5
16	1			Lock Nut, 3/8
17	2	265953	265953	Hose Ring
18	1	267540	267540	PTO Shield
19	1	267876		Bearing Plate
	2		267876	Bearing Plate

+



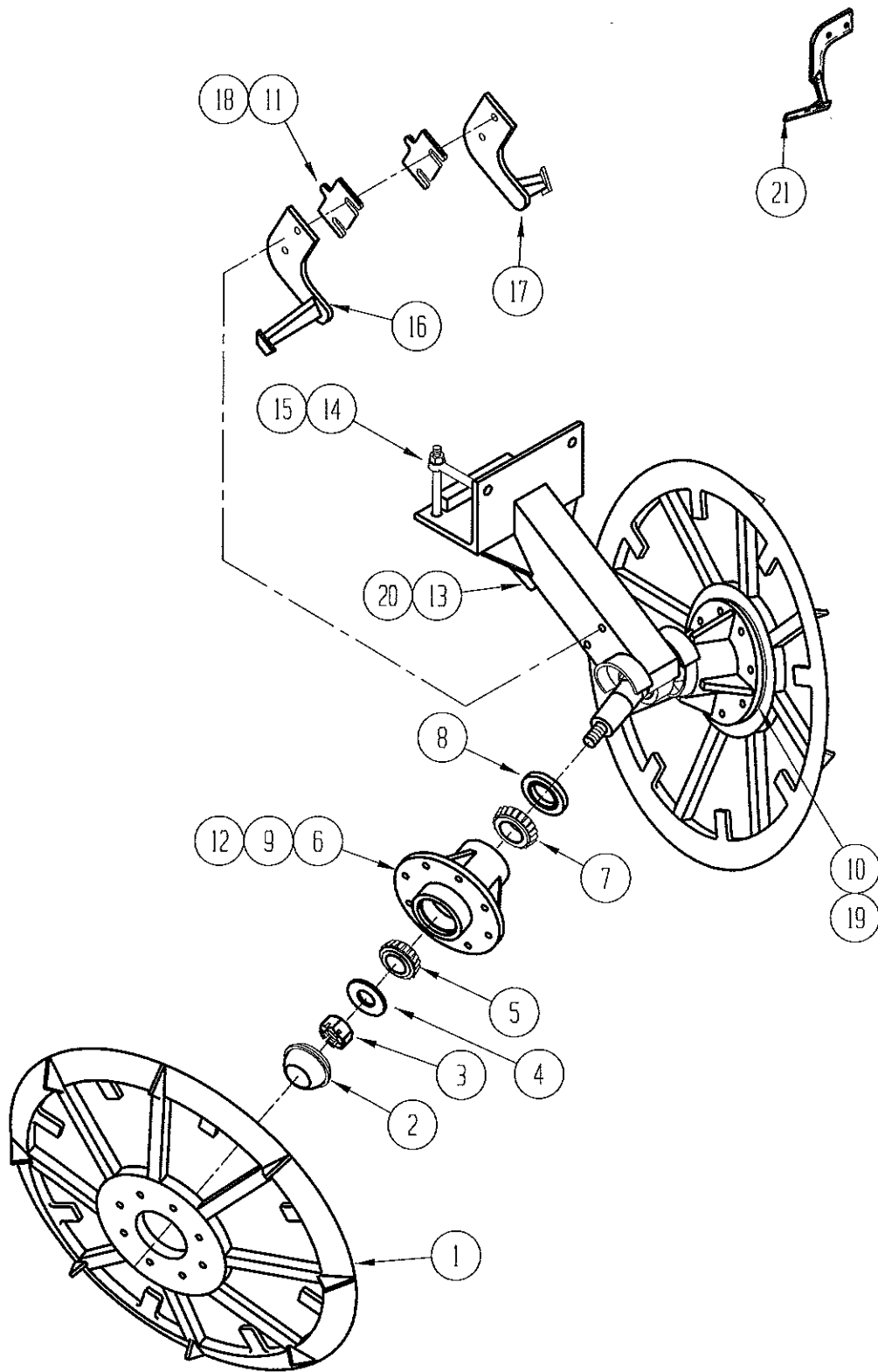
PTO DRIVE LINE ASSEMBLY

ITEM NO.	QUANTITY	PART NO.	DESCRIPTION
1	1	991039	Round Bore Yoke 1 3/4-3/8 KW
2	2	991009	Cross & Bearing Kit
3	1	991012	Q.D. Yoke, 1 3/8-21 Splined
		991013	Q.D. Yoke, 1 3/4-20 Splined
4	1	991082	Drive Line Shield Assembly
5	1	991038	Bearing retainer, Inner Shield
6	1	991037	Bearing retainer, Outer Shield
7	1	991081	Drive Line Implement Half w/ Shield, 1 3/4"
8	1	991079	Drive Line Tractor Half w/ Shield, 1 3/4-20
	1	991080	Drive Line Tractor Half w/ Shield, 1 3/8-21



CONSTANT VELOCITY DRIVE LINE ASSEMBLY

ITEM NO.	QUANTITY	PART NO.	DESCRIPTION
1	1	991098	Yoke, 1 3/4- 3/8 KW
2	1	991100	Cross & Bearing Kit
3	1	991101	Cross & Bearing Kit
4	1	991102	QD Yoke, 1 3/8-21 Splined
	1	991107	QD Yoke, 1 3/4-20 Splined
5	1	991103	Drive Line Shield Assembly
6	1	991104	Bearing Retainer, Outer Shield
7	1	991105	Bearing Retainer, Inner Shield
8	1	991106	CV Cone Retainer

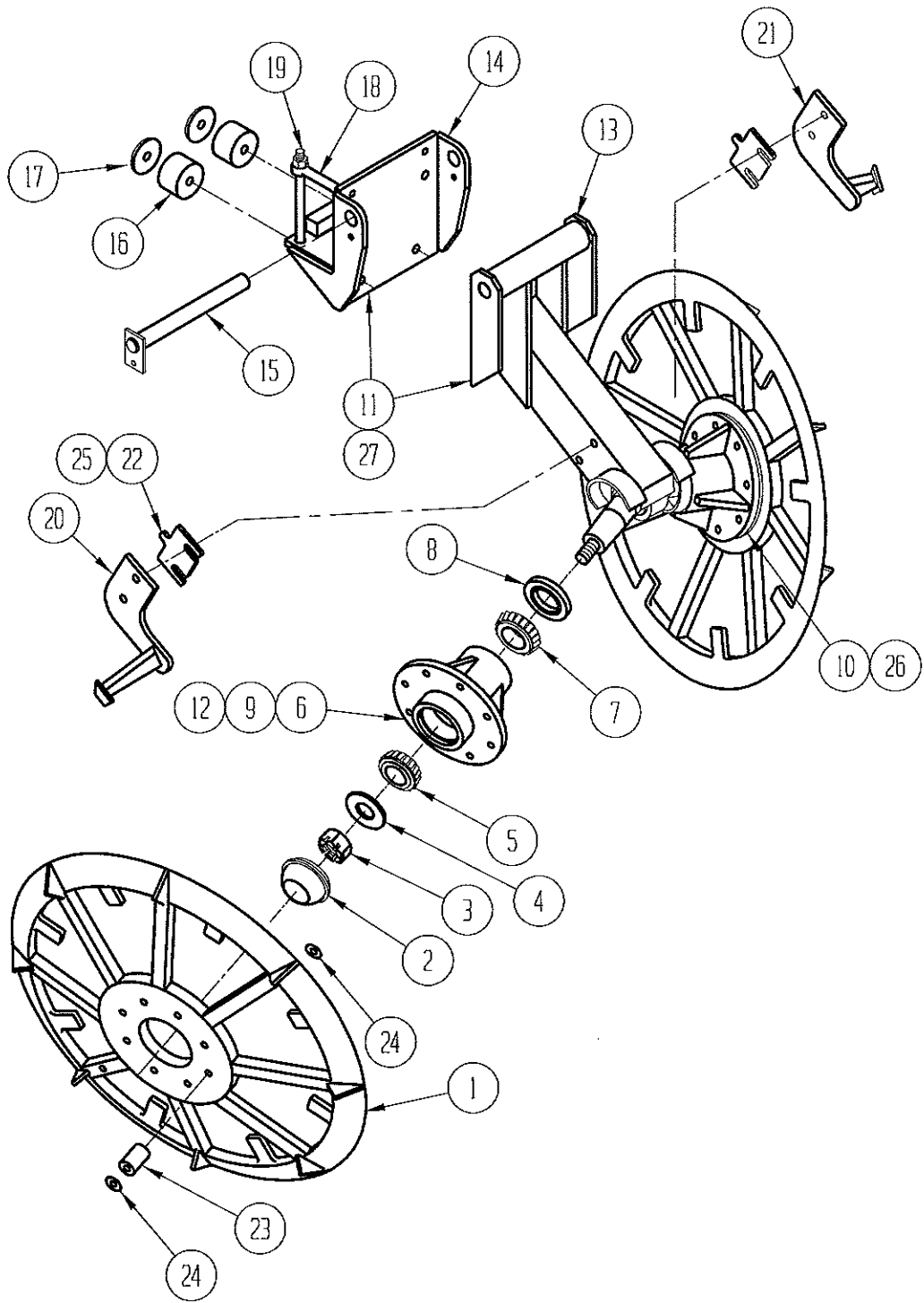


LIFTER WHEEL STANDARD STRUT ASSEMBLY

267500

ITEM NO.	QTY	PART NO.		DESCRIPTION
		WIDE	NARROW	
1	2	267939	267939	Lifter Wheel w/ Peg Fillers
2	2	999865	999865	Dust Cap
3	2	999002	999002	Slotted Nut 1 1/4-12 UNF
4	2	998139	998139	1 1/4 Flat Washer
5	2	990017	990017	Bearing Cone (Outer)
6	2	267941	267945	Hub Assembly (Includes Items #9 & #12)
7	2	990014	990014	Bearing Cone (Inner)
8	2	999837	999837	Seal
9	2	990015	990015	Bearing Cup (Inner)
10	4	999836	999836	Spacer, Single Half, 1/4"
11	2	266348	266348	Shim, 1/4"
12	2	990016	990016	Bearing Cup (Outer)
13	1	267503	267943	Lifter Wheel Strut & Spindle
	1	999841	265655	Replacement Spindle (Weld in)
14	2	264151	264151	3/4 x 8 Eye Bolt
15	2	-----	-----	Hex Bolt 3/4-10 UNC x 8
16	1	266485	266315	Scraper, LH
17	1	266486	266316	Scraper, RH
18	As Req'd	267222	267222	Shim, 1/8"
19	As Req'd	267173	267173	Spacer, Single Half, 1/8"
20		267501	267942	Wheel Strut Assembly w/ Bearings & Hubs
21	1	268022	268022	Scraper, LH (Optional Style)
	1	268023	268023	Scraper, RH (Optional Style)

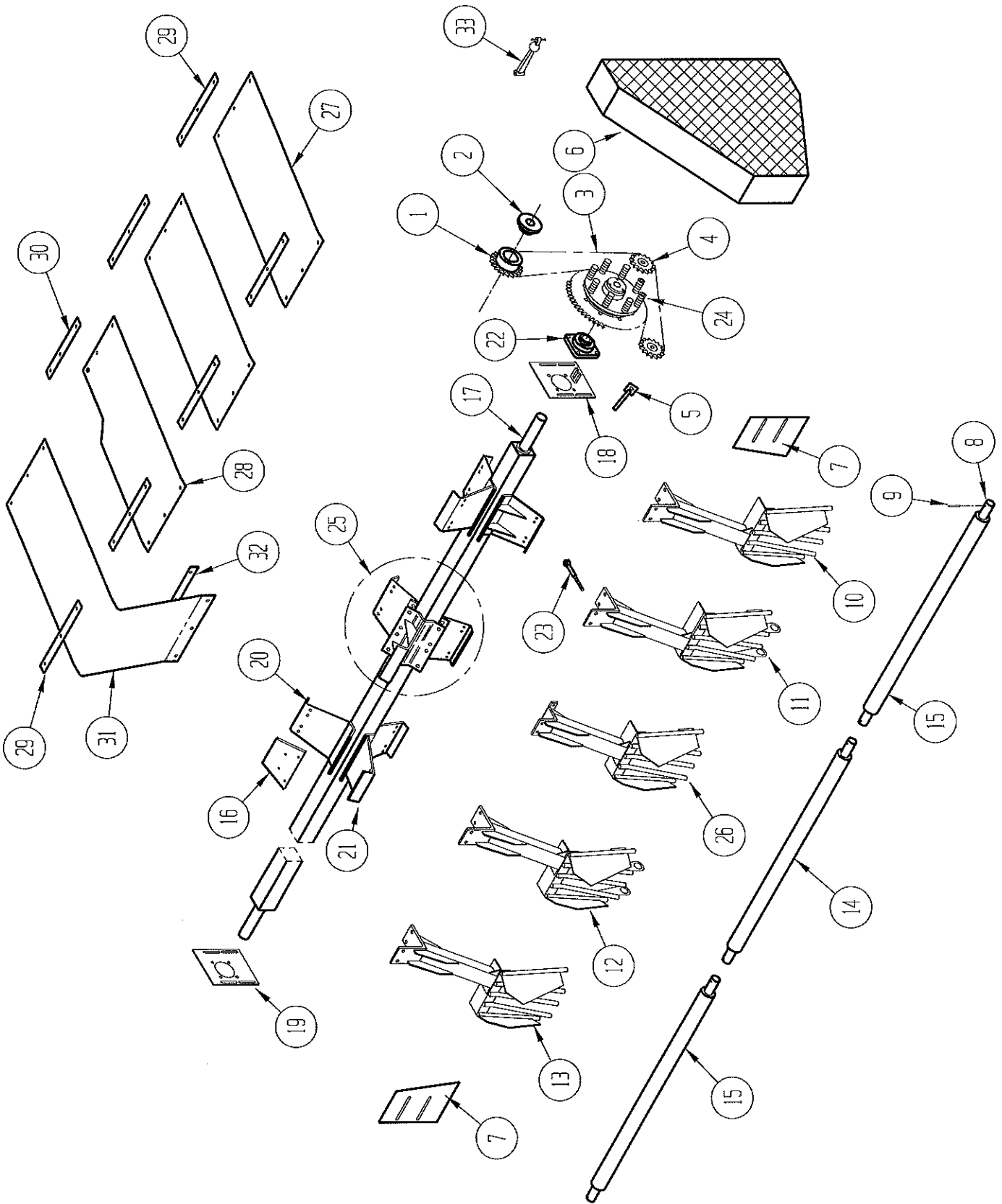
NOTICE: The Above Lifter Wheel and Hub Assemblies use 1/2" bolts!



LIFTER WHEEL ROCK STRUT ASSEMBLY

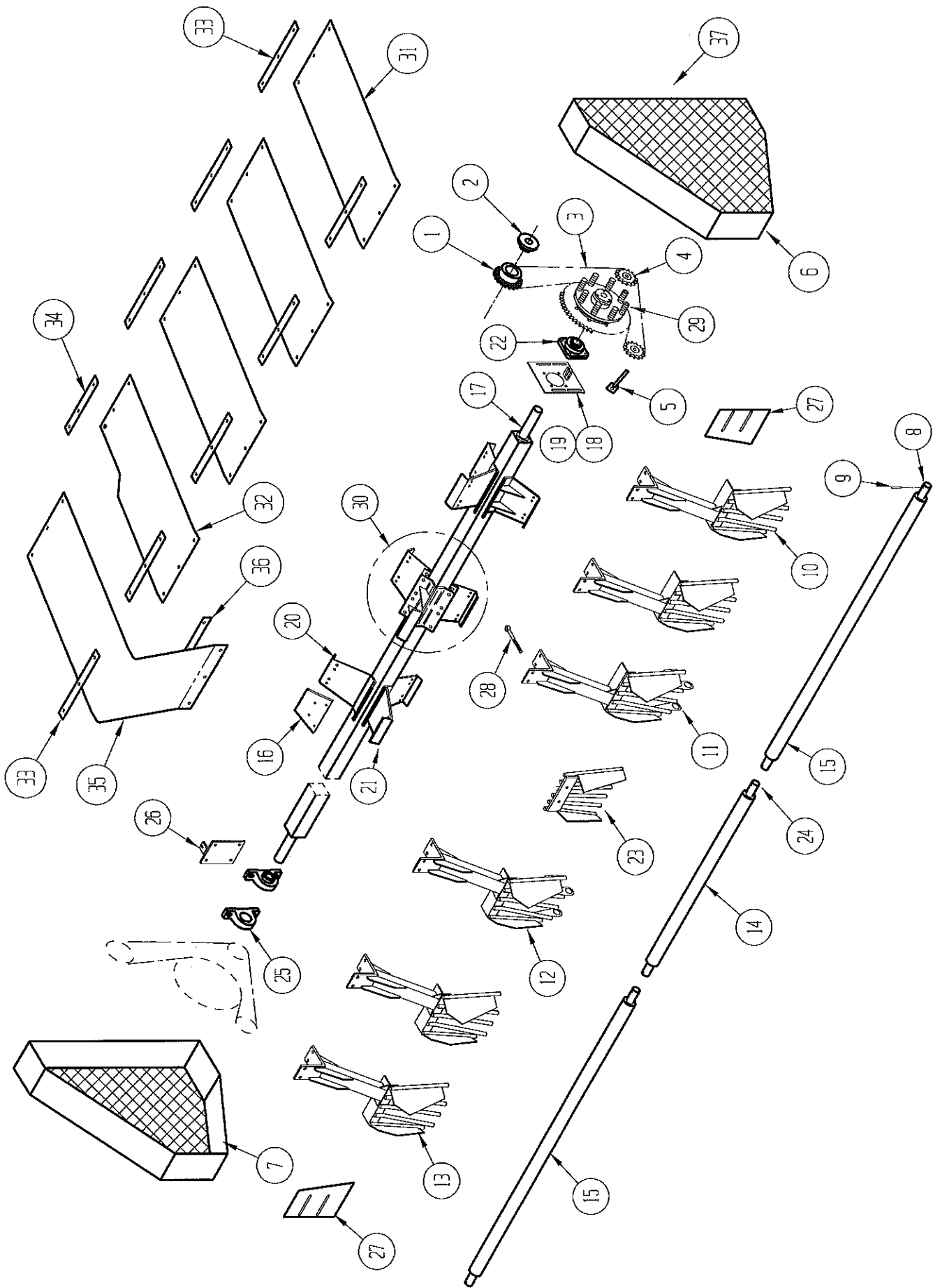
ITEM NO.	QTY	PART NO. WIDE	PART NO. NARROW	DESCRIPTION
1	2	267939	267939	Lifter Wheel w/ Peg Fillers
2	2	999865	999865	Dust Cap
3	2	999002	999002	Slotted Nut 1 1/4-12 UNF
4	2	998139	998139	1 1/4 Flat Washer
5	2	990017	990017	Bearing Cone (Outer)
6	2	267941	267945	Hub Assembly (Includes Items #9 & #12)
7	2	990014	990014	Bearing Cone (Inner)
8	2	999837	999837	Seal
9	2	990015	990015	Bearing Cup (Inner)
10	4	999836	999836	Spacer, Single Half, 1/4"
11	1	267731	267948	Strut & Mounting Asm (Includes Items #13,14,15,16, & #17)
12	2	990016	990016	Bearing Cup (Outer)
13	1	267769	267949	Lifter Wheel Strut & Spindle
	1	999841	265655	Replacement Spindle (Weld in)
14	1	267729	267729	Mounting Weldment
15	1	266430	266430	Pivot Pin
16	2	265134	265134	Spring Cushion
17	2	265135	265135	Spring Washer
18	2	264151	264151	3/4 x 8 Eye Bolt
19	2	-----	-----	Hex Bolt 3/4-10 UNC x 8
20	1	266485	266315	Scraper, LH
21	1	266486	266316	Scraper, RH
22	2	266348	266348	Shim, 1/4"
23	32	267986	267986	Urethane Cushion
24	32	267985	267985	Washer
25	As Req'd	267222	267222	Shim, 1/8"
26	As Req'd	267173	267173	Spacer, Single Half, 1/8"
27		267803	267947	Wheel Strut Assembly w/ Bearings & Hubs

NOTICE: The Above Lifter Wheel, Hub Assemblies, and Cushions use 1/2" bolts!
 1/2 x 4 1/2 Grade 5



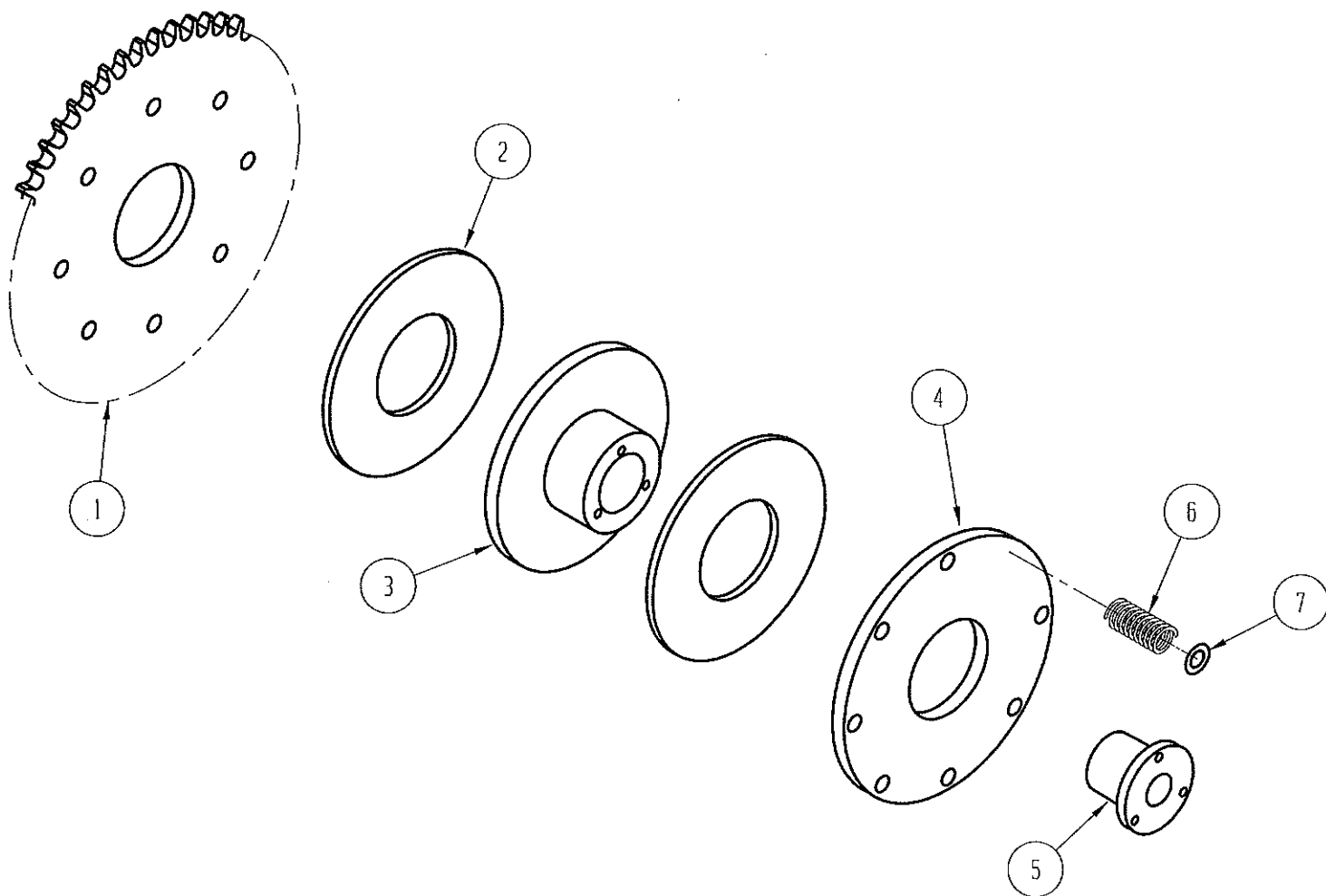
PADDLE & BAFFLE GROUP, MODEL 2966

ITEM NO.	QTY	PART NO. WIDE	PART NO. NARROW	DESCRIPTION
1	1	267212	267212	Sprocket, H80P12
2	1	290357	290357	Bushing, P1-1 3/4
3	96"	980912	980912	Roller Chain, RC80
	1	980927	980927	Master Link, RC80
4	2	980751	980751	Idler Sprocket, 12 Tooth
5	1	266998	266998	Draw Bolt
6	1	267864	267864	Drive Cover, LH
7	2	266924	266924	Deflector
8	3	267102	267102	Filler Shaft
9	6	-----	-----	Hex Bolt, 1/4 x 3" Double Nut
10	1	267239	267245	Baffle Bracket, LH Offset
11	1	267224	267243	Baffle Bracket, LH Offset w/ Shaft Support
12	1	267225	267244	Baffle Bracket, RH Offset w/ Shaft Support
13	1	267240	267246	Baffle Bracket, RH Offset
14	1	267058	267058	Filler Pipe
15	2	267057	267057	Filler Pipe
16	1/rw	268929	266099	Rubber Backing Paddle
17	1	265380	265380	Paddle Shaft
18	1	267069	267069	Bearing Plate, LH
19	1	267070	267070	Bearing Plate, RH
20	1/rw	266095	266095	Paddle, Single
21	1/rw	266094	266094	Paddle, Double
22	2	980821	980821	Flanged Bearing, 1 15/16
23	8	997904	997904	Eye Bolt, 5/8 x 6
24	1	267292	267292	Slip Clutch Assembly (see page 13)
25	1/rw	266072	266072	Paddle Assembly(includes item 20 and 21)
26	1	267231	267247	Baffle Bracket, Center
27	3	267950	267950	Paddle Cover, Outside
28	2	267951	267951	Paddle Cover, Inside
29	9	268194	268194	Backing Bar, Outside
30	2	268193	268193	Backing Bar, Inside
31	1	267952	267952	Paddle Cover, Row Finder Row
32	1	267780	267780	Clamp Bar, R.F. Row (Standard Struts Only)
33	1	270244	270244	Rubber Latch



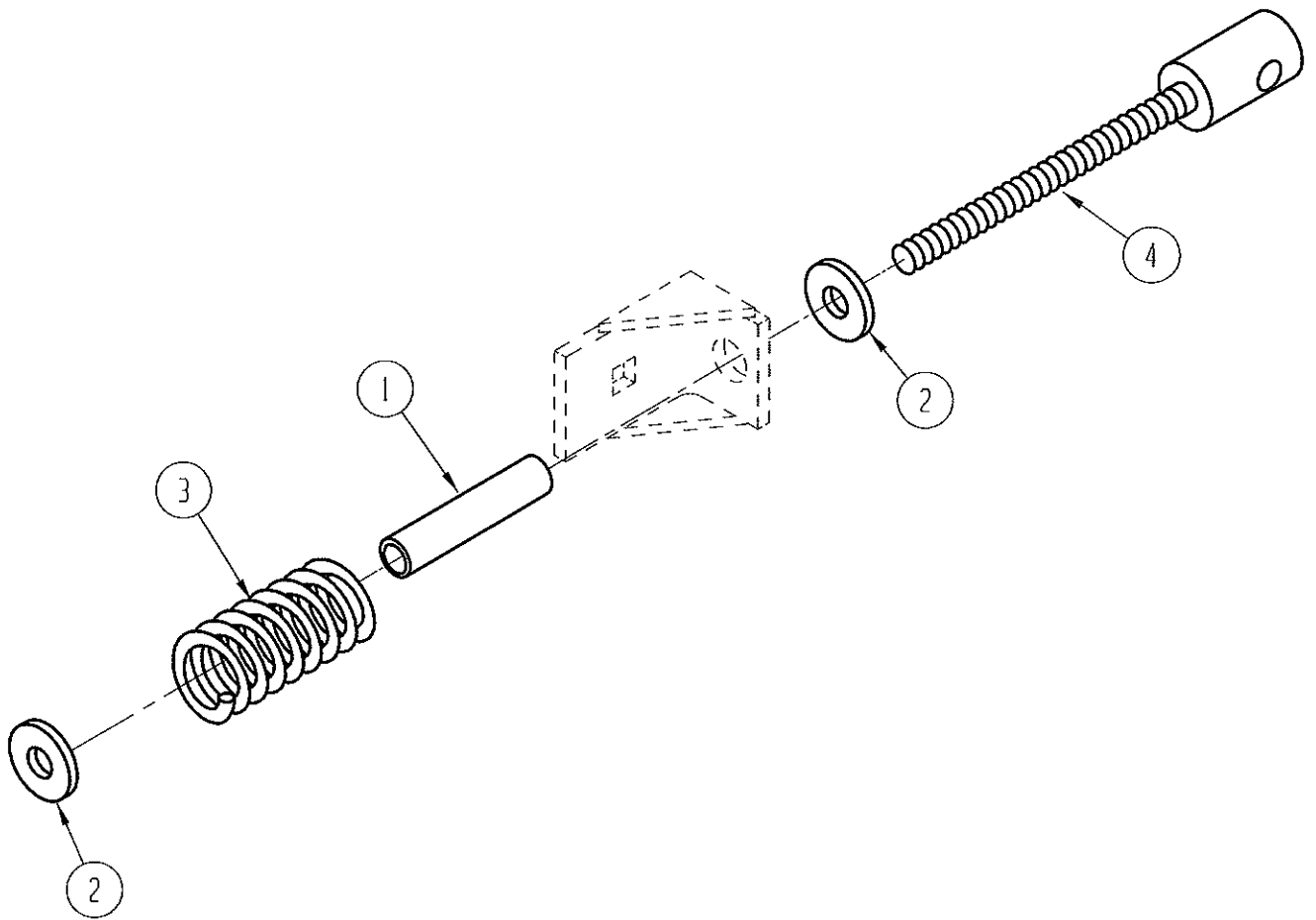
PADDLE & BAFFLE GROUP, MODEL 2980 SERIES

ITEM NO.	QTY	PART NO. WIDE	PART NO. NARROW	DESCRIPTION
1	2	267212	267212	Sprocket, H80P12
2	2	290357	290357	Bushing, P1-1 3/4
3	96"/Side	980912	980912	Roller Chain, RC80
	1 / Side	980927	980927	Master Link, RC80
4	4	980751	980751	Idler Sprocket, 12 Tooth
5	2	266998	266998	Draw Bolt
6	1	267864	267864	Drive Cover, LH
7	1	267865	267865	Drive Cover, RH
8	2	264512	264512	Filler Shaft
	2	267125		Filler Shaft, 30" Rows
9	6	-----	-----	Hex Bolt, 1/4 x 3, Double Nut
10	2	267239	267245	Baffle Bracket, LH Offset
	2	267249		Baffle Bracket, 30" Rows
11	1	267224	267243	Baffle Bracket, LH Offset w/ Shaft Support
	2	267248		Baffle Bracket, 30" Rows w/ Shaft Support
12	1	267225	267244	Baffle Bracket, RH Offset w/ Shaft Support
13	2	267240	267246	Baffle Bracket, RH Offset
14	1	267058	267058	Filler Pipe
	1	267123		Filler Pipe, 30" Rows
15	2	267112	267112	Filler Pipe
	2	267122		Filler Pipe, 30" Rows
16	1/rw	268929	266099	Rubber Backing Paddle
17	2	265900	265900	Paddle Shaft
18	1	267069	267069	Bearing Plate, LH
19	1	267070	267070	Bearing Plate, RH(not shown)
20	1/rw	266095	266095	Paddle, Single
21	1/rw	266094	266094	Paddle, Double
22	2	980821	980821	Flanged Bearing, 1 15/16
23	1	267038	266383	Baffle Bracket, Center
	1	267131		Baffle Bracket, Center 30" Rows
24	1	267102	267102	Filler Shaft
	1	267124		Filler Shaft, 30" Rows
25	2	980029	980029	Pillow Block Bearing, 1 15/16
26	1	265875	265875	Adjusting Plate
27	2	266924	266924	Deflector
28	10	997904	997904	Eye Bolt, 5/8 x 6
	8	997904	997904	Eye Bolt, 5/8 x 6 (30" Row Quantity)
29	1	267292	267292	Slip Clutch Assembly (See Page 13)
30	1/rw	266072	266072	Paddle Assembly(includes item 20 and 21)
31	5	267950	267950	Paddle Cover, Outside
	3	267950	267950	Paddle Cover, Outside (30" Row Quantity)
32	2	267951	267951	Paddle Cover, Inside
33	13	268194	268194	Backing Bar, Outside
	9	268194	268194	Backing Bar, Outside (30" Row Quantity)
34	2	268193	268193	Backing Bar, Inside
35	1	267952	267952	Paddle Cover, Row Finder Row
36	1	267780	267780	Clamp Bar, R.F. Row (Standard Struts Only)
37	1	270244	270244	Rubber Latch(not shown)



SLIP CLUTCH ASSEMBLY
(Paddle Shaft)

ITEM NO.	QUANTITY	PART NO.	DESCRIPTION
1	1	267387	Sprocket, 80A45
2	2	265763	Fiber Disk
3	1	265764	Hub
4	1	265765	Clutch Plate
5	1	980219	Bushing, Q1 1 15/16
6	8	265761	Spring
7	8	264786	Washer
8	1	267292	Clutch Assembly, Less Bushing

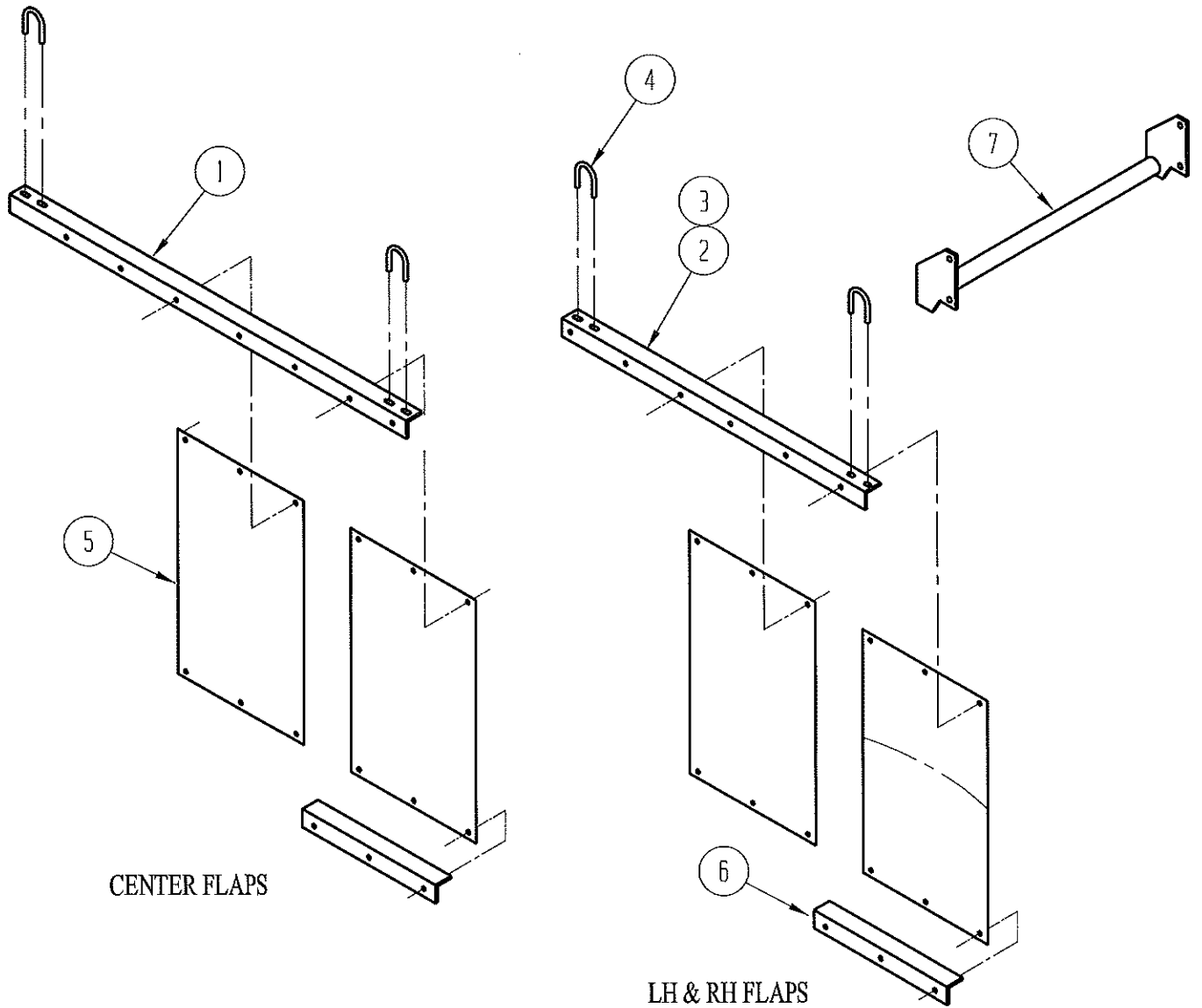


GRAB ROLL ROCK SPRING KIT

267987 for 2966

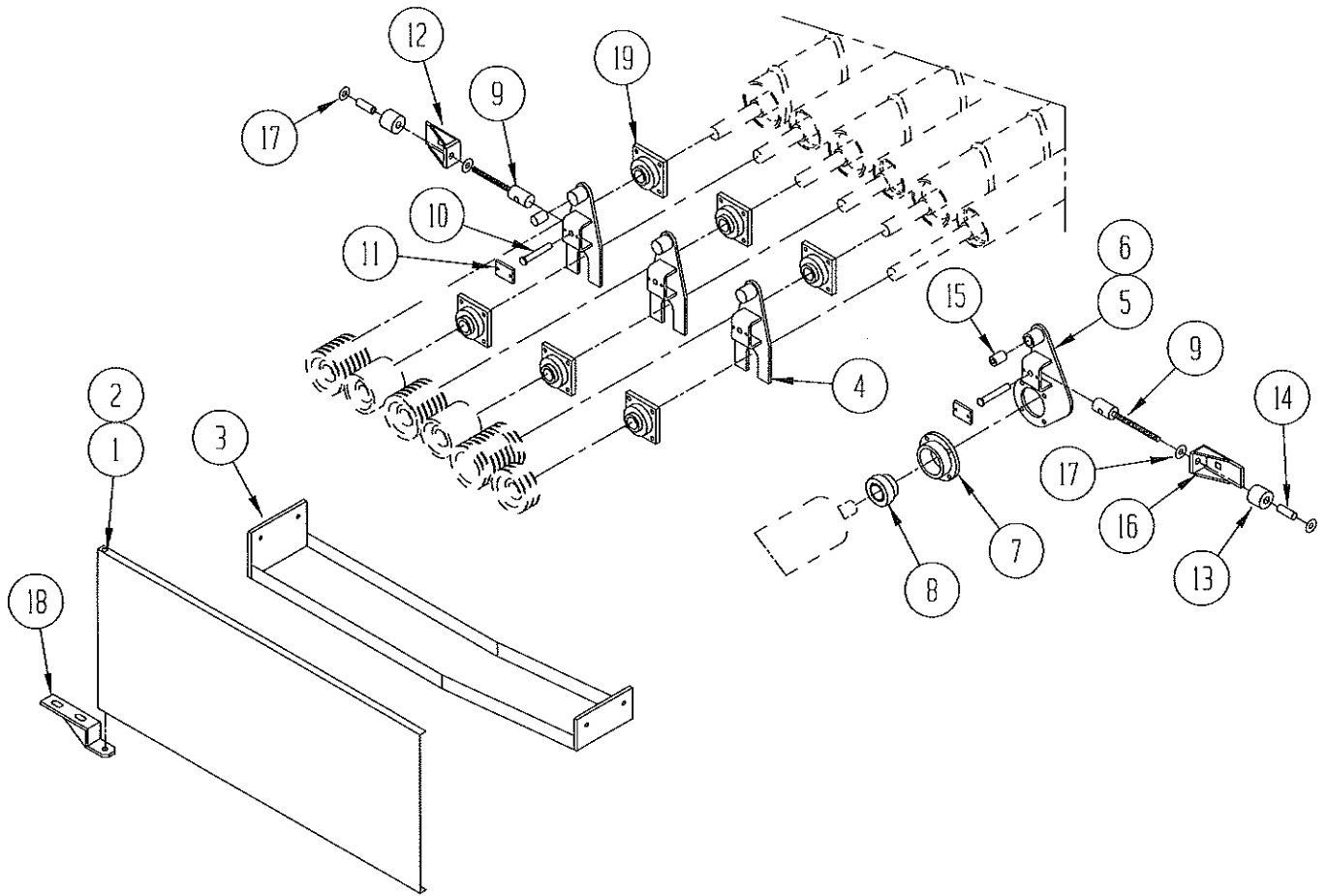
268016 for 2980

ITEM NO.	QUANTITY	PART NO.	DESCRIPTION
1	As Req'd	265249	Spring Spacer
2	As Req'd	-----	Flat Washer, $\frac{3}{4}$
3	As Req'd	264737	Spring
4	As Req'd	267268	Adjusting bolt



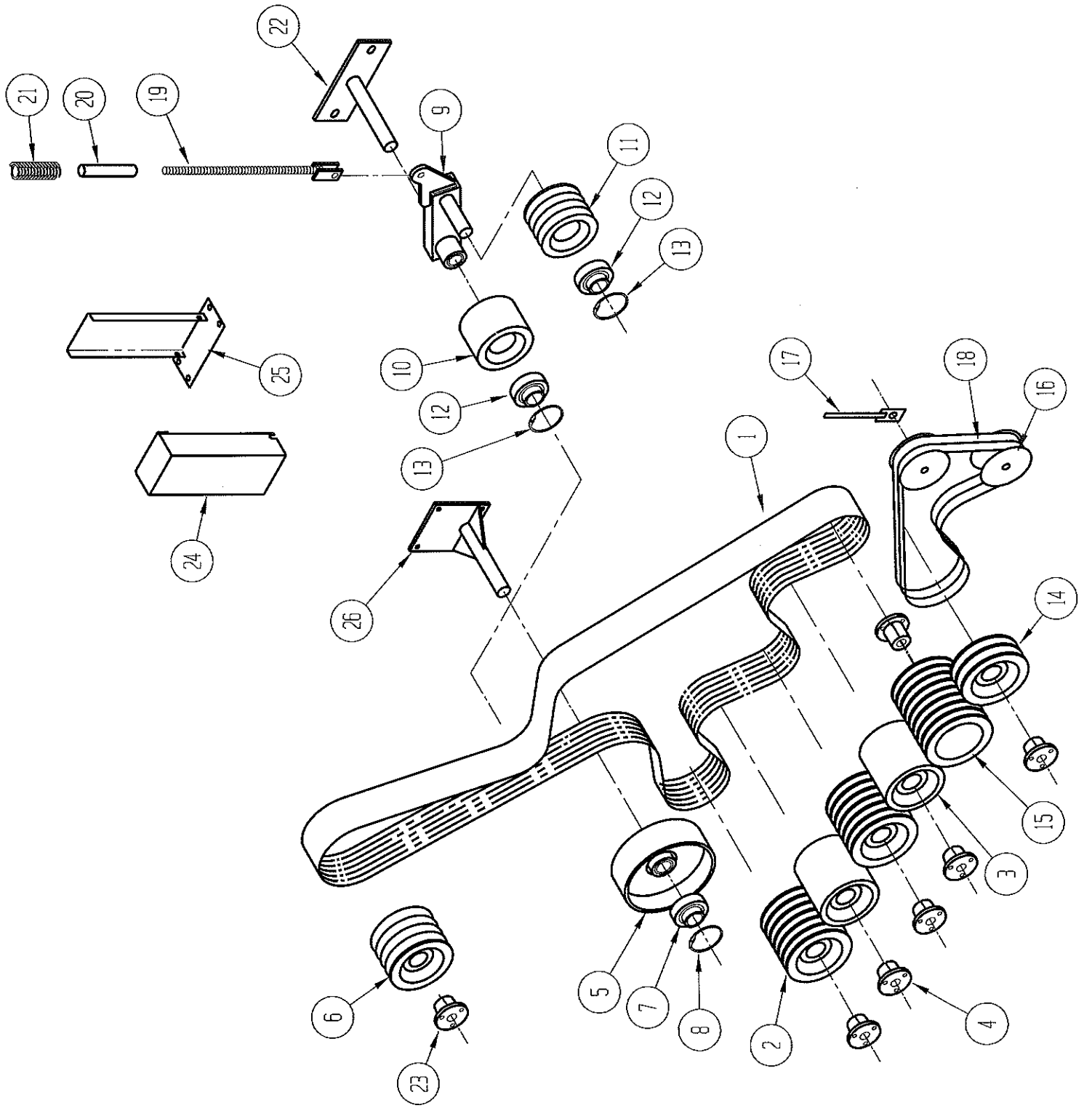
GRAB ROLL MUD FLAPS

ITEM NO.	QTY 2966	QTY 2980 SERIES	PART NO. 2966	PART NO. 2980 SERIES	DESCRIPTION
1	1	1	267800	267800	Center Flap Angle
2	1	1	267981	267751	LH Flap Angle
3	1	1	267982	267752	RH Flap Angle (Not Shown)
4	6	6	265283	265280	U-Bolt
5	6	8	265281	265281	Rubber Flap
6	6	8	265265	265265	Flap Angle
7	2	2	267983	267983	Support Flap, Wld



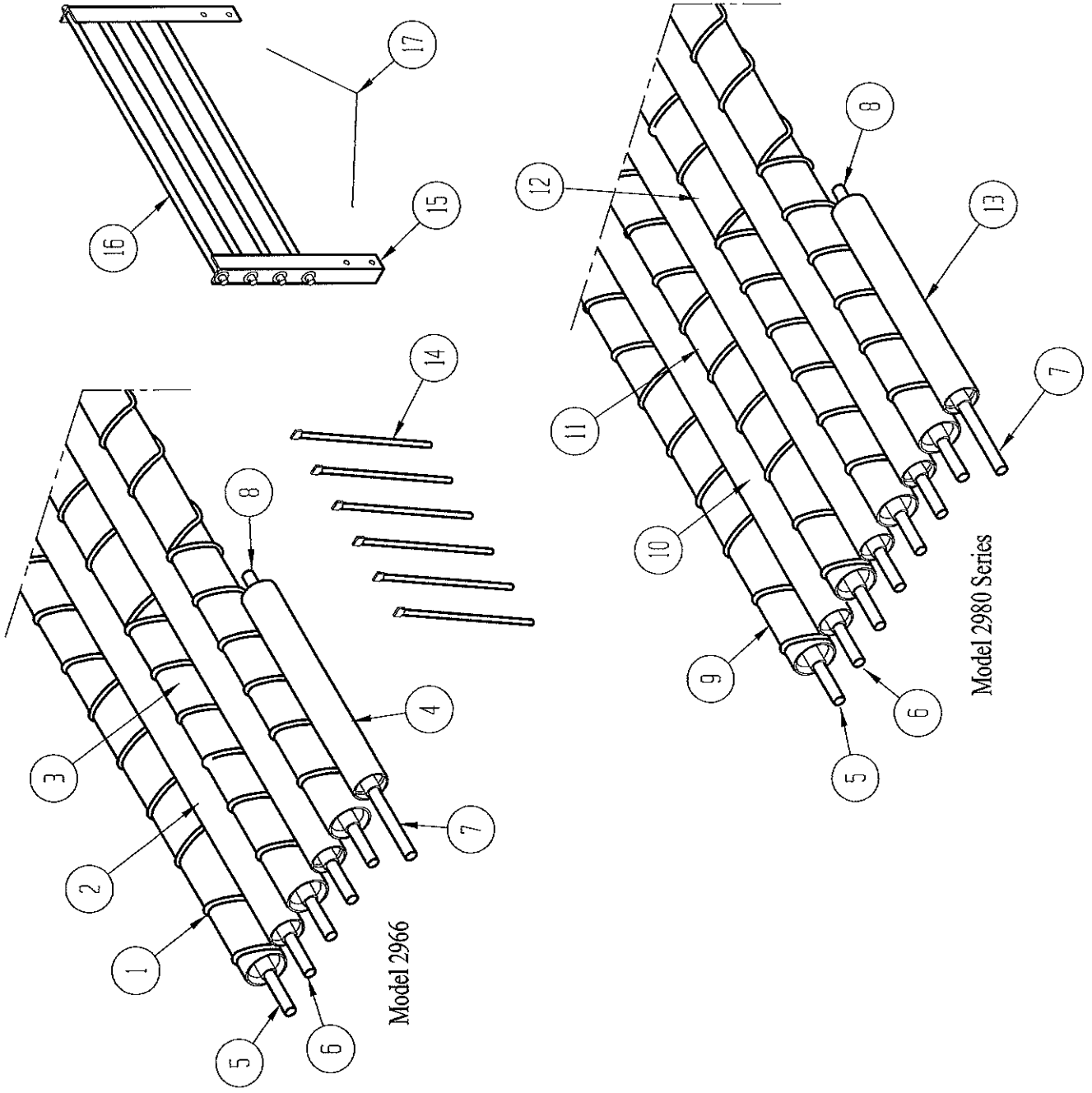
GRAB ROLL HANGERS & DOORS

ITEM NO.	QTY 2966	QTY 2980 SERIES	PART NO. 2966	PART NO. 2980 SERIES	DESCRIPTION
1	1	1	266030	265478	Grab Roll Door, LH
2	1	1	266031	265479	Grab Roll Door, RH
3	2	2	266036	265482	Lower Guard
4	6	8	267873	267873	Hanger Bracket
5	1	1	267608	267608	Inside Hanger Bracket, LH
6	1	1	267609	267609	Inside Hanger Bracket, RH
7	2	2	281563	281563	Bearing Housing
8	2	2	268927	268927	Bearing Insert, 1 15/16
9	8	10	267266	267266	Adjusting Bolt
10	8	10	264640	267640	Clevis Pin
11	8	10	267874	267874	Retainer Block
12	6	8	264601	264601	Take-Up Angle
13	8	10	264603	264603	Cushion
14	8	10	264604	264604	Spacer
15	8	10	264216	264216	Bushing
16	2	2	267611	267611	Take-Up Angle
17	16	20	264602	264602	Washer
18	2	2	264838	264838	Hinge Bracket
19	12	16	980821	980821	Bearing, (1 15/16) 4-Bolt



GRAB ROLL BELT DRIVE COMPONENTS

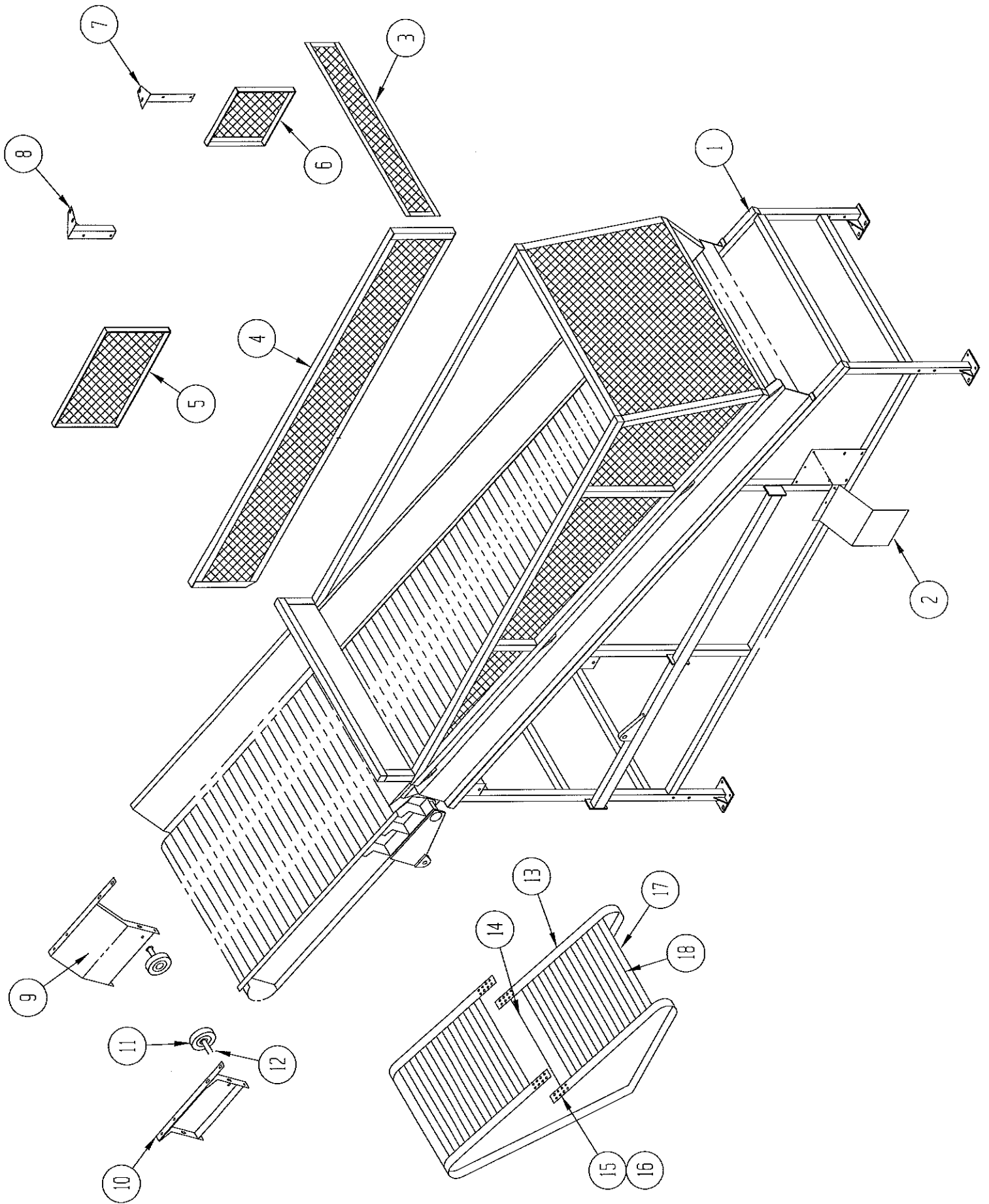
ITEM NO.	QTY	PART NO.		DESCRIPTION
		2966	2980 SERIES	
1	2	981243		Power Band, 4BX158 (Use Notched Only)
	4		267045	Power Band, 3BX195 (Use Notched Only)
2	4	264616		Sheave, 4TB6.4 Q1
	6		265855	Sheave, 6TB6.4 Q1
3	4	265905		Smooth Pulley
	6		265905	Smooth Pulley
4	12	980219		Bushing, Q1 1 15/16
	16		980219	Bushing, Q1 1 15/16
5	2	265474	265474	Idler Assembly w/Bearings
6	2	266251		Sheave, 4TB7.4 Q1
	2		265907	Sheave, 6TB7.4 Q2
7	2	980077	980077	Bearing, 1 3/4"
8	2	998915	998915	Snap Ring
9	1	267174	267174	Idler Arm, LH shown
	1	267175	267175	Idler Arm, RH
10	2	267020	267020	Idler Assembly, 6 1/2" w/ Bearing
11	2	264365	265908	Idler Sheave Assembly w/ Bearing
12	2	980073	980073	Bearing, 1 3/8"
13	2	998914	998914	Snap Ring
14	2	266327	266327	Sheave, 2B6.4 Q1
15	2	265855		Sheave, 6B6.4 Q1
	2		266539	Sheave, 8B6.4 SF
16	4	265649	265649	Idler Pulley
17	2	264084	264084	Draw Bolt
18	4	265366	265366	V-Belt, BB60
19	2	266538	266538	Draw Bolt
20	2	264637	264637	Spacer
21	2	264636	264636	Spring
22	2	265471	265471	Idler Shaft Weldment
23	2		265653	Bushing, Q2 1 3/4
	2	980218		Bushing, Q1 1 3/4
24	2	267180	267180	Draw Bolt Cover
25	2	267179	267179	Cover Support
26	2	265466	265466	Idler Bracket



GRAB ROLL BED ASSEMBLY

ITEM NO.	QTY	PART NO. 2966	PART NO. 2980 Series	DESCRIPTION
1	1	266848		Grab Roll #1 4-Way Spiral, 1 15/16" Stub
2	2	266852		Grab Roll #2 & #4 Smooth
3	2	268285		Grab Roll #3 & #5 2-Way Spiral
4	2	268286		Grab Roll #6 Short Smooth
5	6	266847		*Stub Shaft, #1, #3, & #5 Grab Rolls
	8		266847	*Stub Shaft, #1, #3, #5, & #7 Grab Rolls
6	4	266857		*Stub Shaft, #2 & #4 Grab Rolls
	6		266857	*Stub Shaft, #2, #4, & #6 Grab Rolls
7	1	267881		*Stub Shaft, Long #6 Grab Roll
	1		268027	*Stub Shaft, Long #8 Grab Roll
8	1	267690		*Stub Shaft, Short #6 Grab Roll
	1		267690	*Stub Shaft, Short #8 Grab Roll
9	1		266896	Grab Roll #1 4-Way Spiral
10	3		266897	Grab Roll #2, #4, & #6 Smooth
11	1		266898	Grab Roll #3 4- Way Spiral
12	2		266899	Grab Roll #5 & #7 2-Way Spiral
13	2		268024	Grab Roll #8 Short Smooth
14	48	267603		Finger Rod
	78		267603	Finger Rod
15	4	267284	267284	Mounting Angle
16	8	267870	267607	Cross Rod
17	2	267869	267606	Rear Railing Assembly, Complete

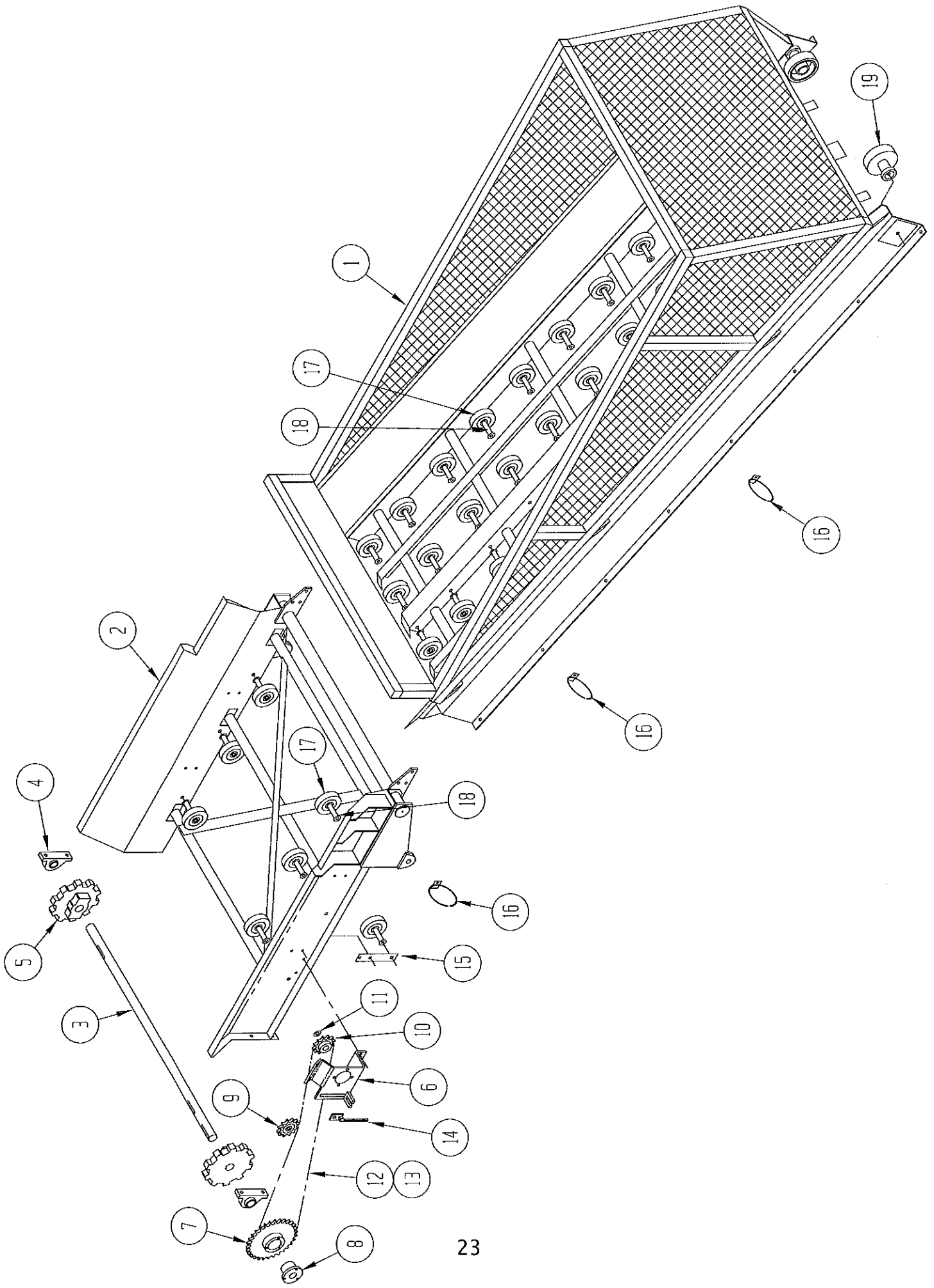
* Weld In Stub Shafts



21

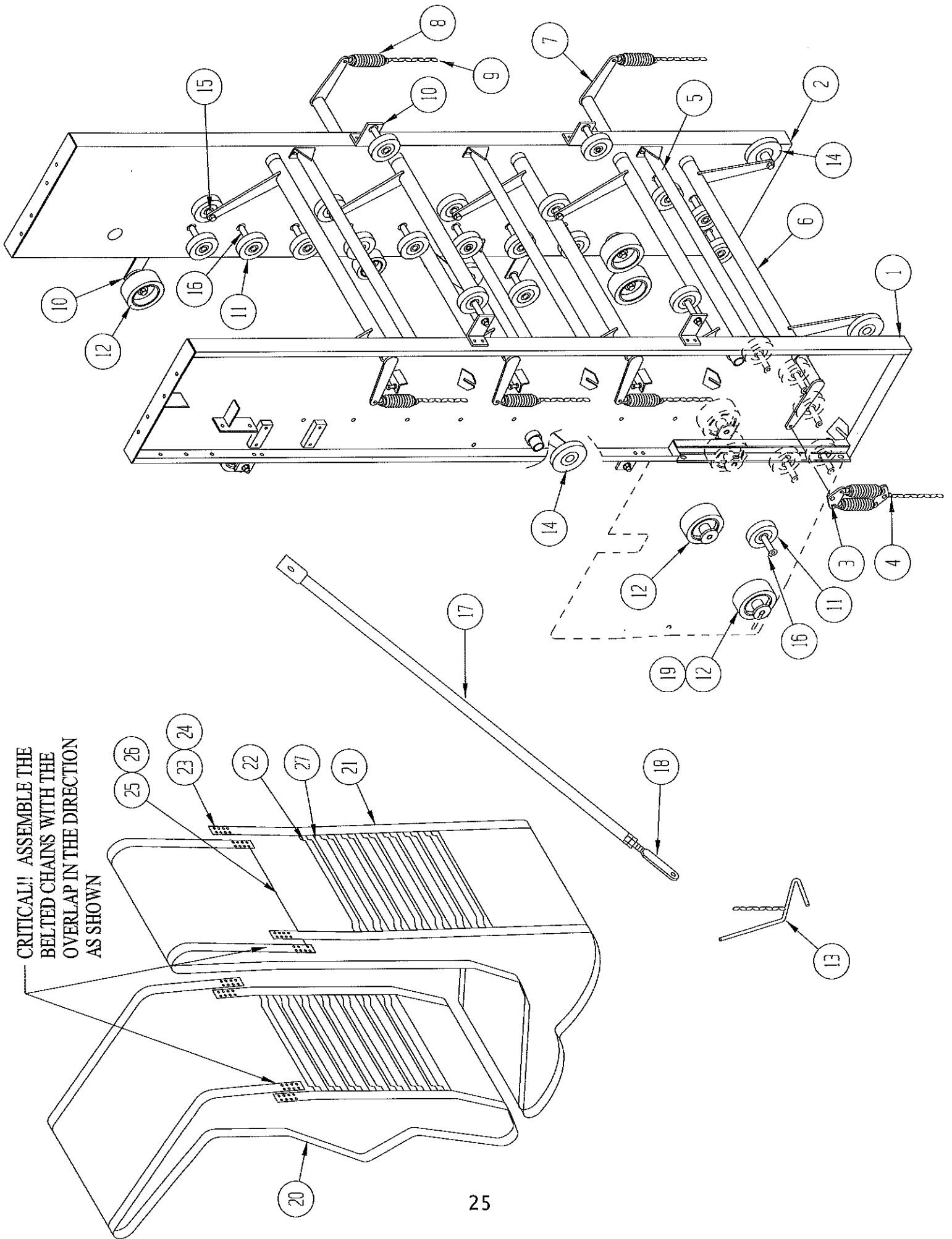
HOPPER MOUNTING & ATTACHMENTS

ITEM NO.	QTY	PART NO.	PART NO.	DESCRIPTION
		2966	2980 Series	
1	1	267905	268132	Hopper Support
2	1	267756	267756	Cover, Valve Bank
3	1	267535	267535	Side Railing
4	1	267536	267536	Front Railing
5	1	267990	267990	Rear Railing, RH
6	1	267930	267930	Rear Railing, LH
7	1	267933	267933	Mounting Bracket, LH
8	1	267934	267934	Mounting Bracket, RH
9	1	-----	267641	Rear Extension, 24"
10	1	-----	267940	Front Extension, 24"
11	2	265150	265150	Roller, 5"
12	2	266935	266935	Stand Off, 3 5/8"
13	1	267923		(203 Total Links)
	1		268003	(223 Total Links)
				Belted Chain, 1/2 x 48 x 56 MM, 6 str/1 up, (Includes Items #12, 13, & 14)
14	As Req'd	267774	267774	Straight Link w/ 1/4" Holes
	As Req'd	268899	268899	Chain Link, Offset Up w/ 1/4" Holes
15	As Req'd	998239	998239	Backing Plate w/ Threaded Holes
16	As Req'd	998240	998240	Hex Cap Screw, 1/4-28 x 1 1/4 Grd-8, with Lock Nut. Note: Do Not Use Elastic Stop Nut.
17	As Req'd	268195	268195	Chain Link, 48" Offset Up w/ Rivet Holes
18	AS Req'd	268196	268196	Chain Link, 48" Straight w/ Rivet Holes



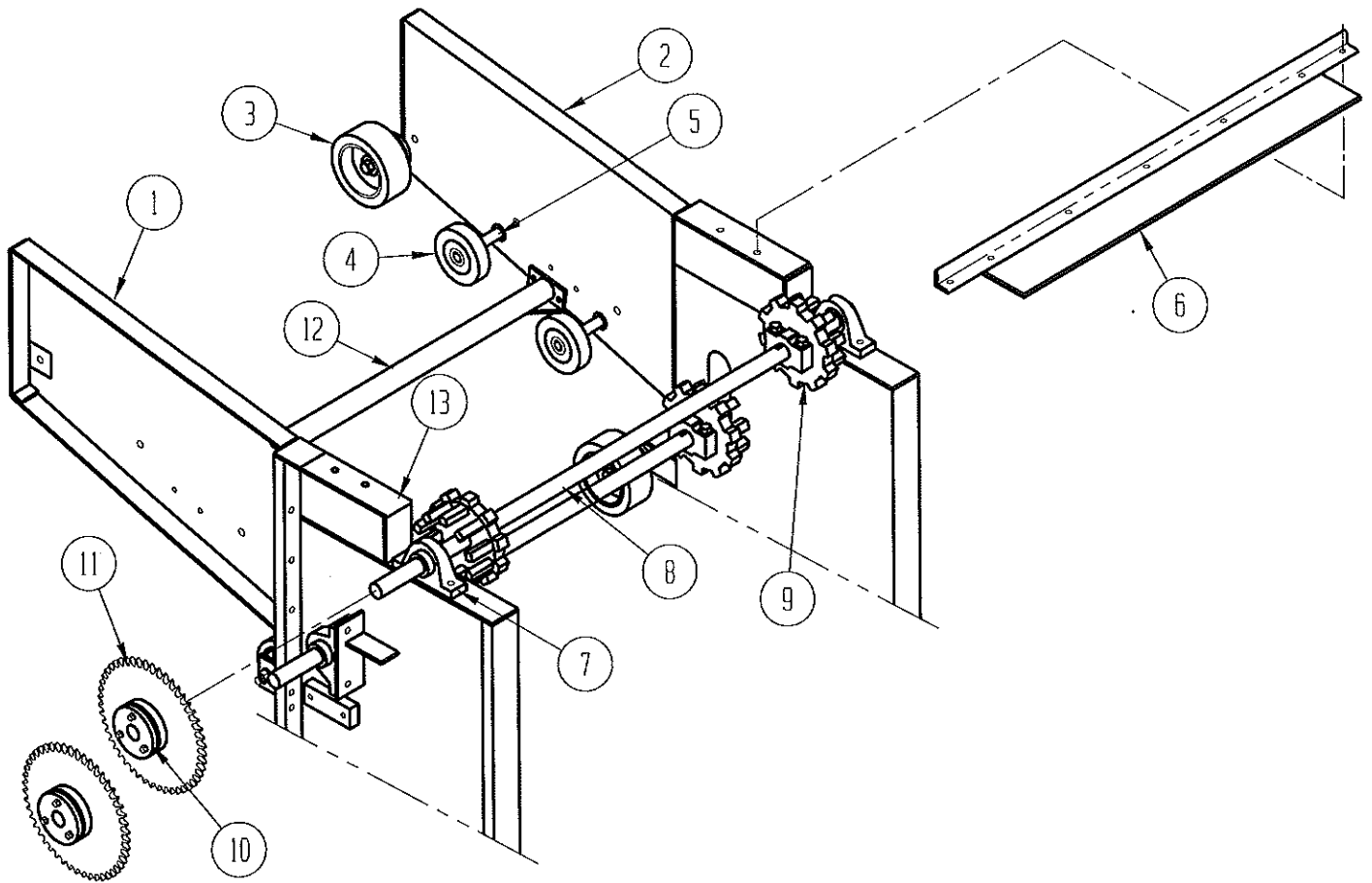
HOPPER ASSEMBLY

ITEM NO.	QUANTITY	PART NO.	DESCRIPTION
1	1	268447	Hopper Weldment
2	1	267895	Outer Boom Weldment
3	1	267726	Head Shaft
4	2	980028	Pillow Block Bearing, 1 3/4"
5	2	268261	Sprocket, 12T, 56 MM
6	1	267644	Motor Bracket
7	1	267295	Sprocket, 80Q 36 Tooth
8	1	980218	Bushing, Q1-1 3/4"
9	1	980751	Idler Sprocket, RC80 12T
10	1	980623 1-1/4	Sprocket, RC80 12T 1 1/4" Bore
11	1	-----	Fender Washer, 3/8 x 2" OD
12	68 Links	980912	Roller Chain, RC80
13	1	980927	Master Link, RC80
14	1	264084	Take-Up Bolt
15	4	290022	Roller Bracket
16	3	265953	Hose Ring
17	52	267894	Roller, 6"
	6	265150	Roller, 5" Discharge Boom Only
18	58	265935	Stand Off, 3 5/8
19	2	267413	Roller, 6 1/2 x 1 7/8 (See Page 28)
20	3	268369	Slider Strip, Hopper Bottom



REAR ELEVATOR ASSEMBLY

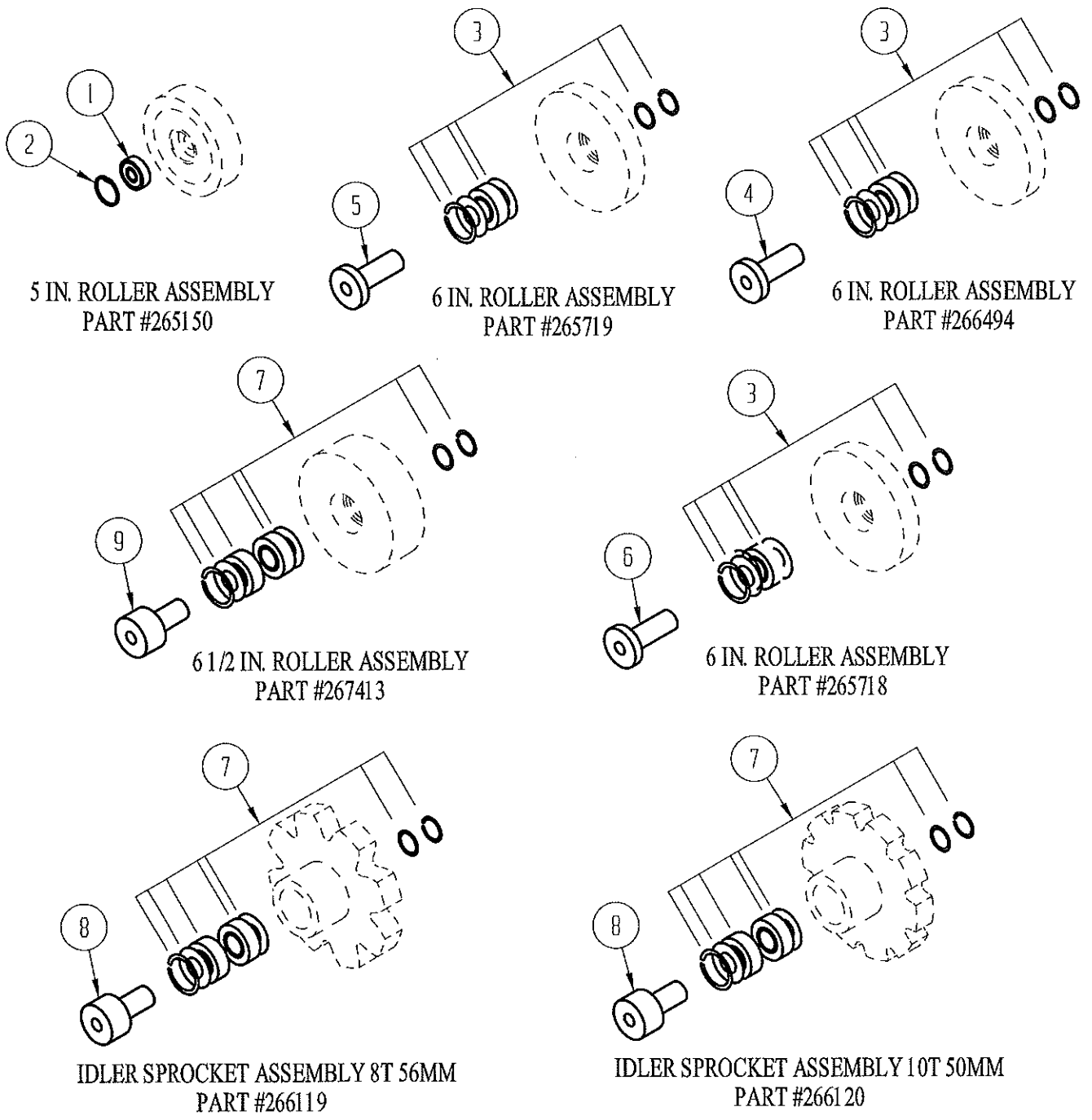
ITEM NO.	QUANTITY	PART NO.	DESCRIPTION
1	1	268780	Elevator Panel (LH)
2	1	268775	Elevator Panel (RH)
3	2	290243	Spring Bracket
4	2	290244	Cold Shut, 5/16"
5	4	910444	Elevator Spreader
6	6	290061	Chain Tightener
7	6	290060	Spring Arm
8	7	998986	Extension Spring
9	6	981231	1/4 Proof Coil Chain-12 Links
10	4	267786	Roller Bracket
11	48	265150	Roller, 5" (See Page 28)
12	10	267413	Roller Asm w/ 3" Base (See Page 28)
13	1	264685	Spring Extension Tool
14	4	267894	Roller, 6" Rubber
15	12	265151	Spacer
16	40	266935	Standoff 5/8 x 3 5/8
17	1	264064	Elevator Support Rod (Includes Item #28)
18	1	290471	Adjusting Rod
19	2	-----	Hex Bolt, 5/8 x 5 Grade 8
20	1	268256	Belted Chain (Front) 1/2 x 42 x 56MM 1 strt/2 down. (Includes Items 23, 24, 25, & 26) (153 Links plus 4 overlap)
21	1	268257	Belted Chain (Back) 1/2 x 42 x 56MM 1 strt/2 down. (Includes Items 23, 24, 25, & 26) (179 Links plus 4 overlap)
22	As Req'd	998619	Chain Link, Offset Down w/ Rivet Holes
23	As Req'd	998240	Hex Cap Screw, 1/4-28 x 1 1/4 Grd-8, w/ Lock Nut. Note: Do Not Use Elastic Stop Nut
24	As Req'd	998239	Backing Plate w/ Threaded Holes
25	As Req'd	998238	Chain Link, Offset Down w/ 1/4" Holes
26	As Req'd	998237	Chain Link, Straight w/ 1/4" Holes
27	As Req'd	998606	Chain Link, Straight w/ Rivet Holes



NOTE:
FOR MOTOR DRIVE & MOUNTING
SEE PAGE #35.

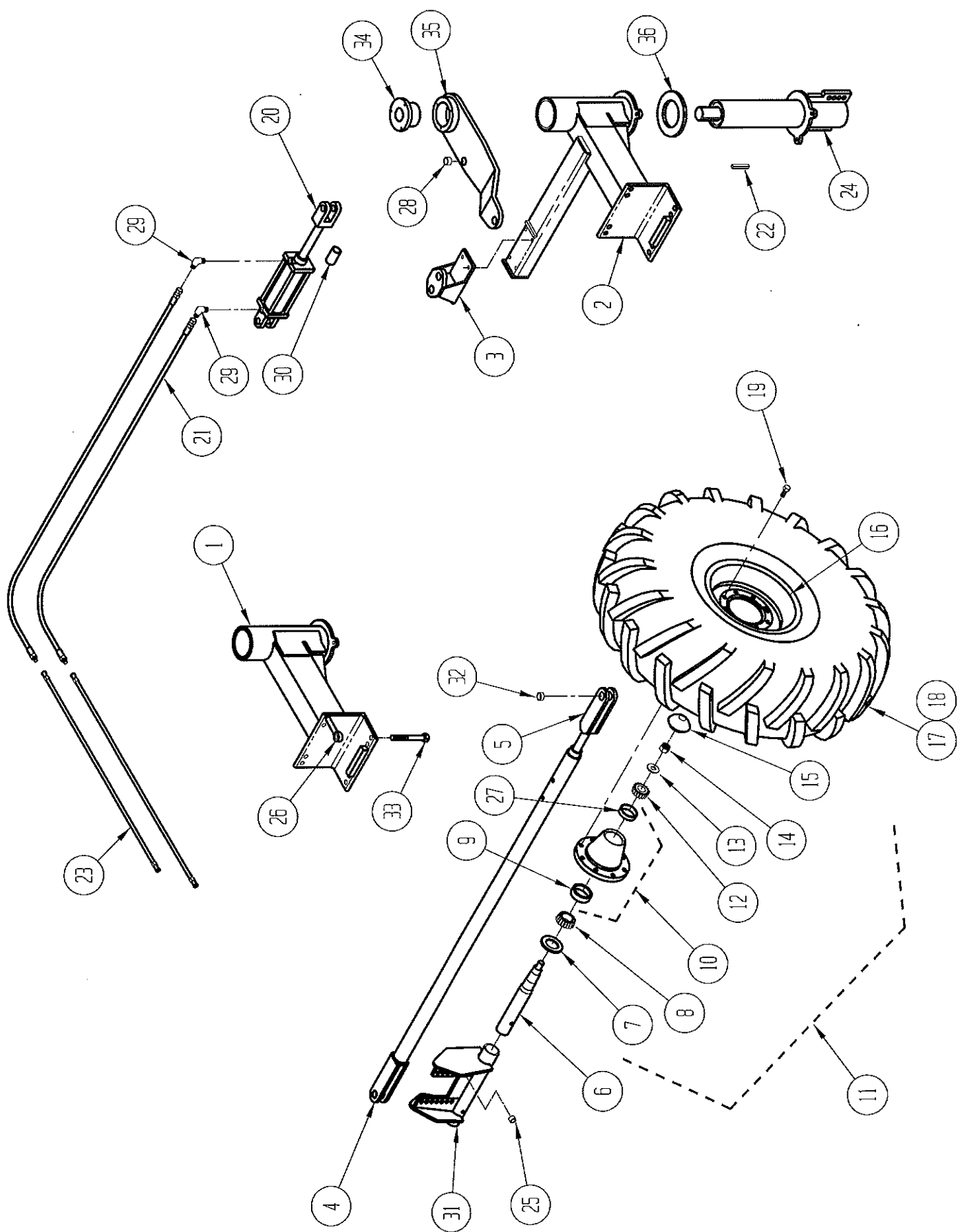
REAR ELEVATOR TOP ASSEMBLY

ITEM NO.	QUANTITY	PART NO.	DESCRIPTION
1	1	268251	Top Panel, LH
2	1	268253	Top Panel, RH
3	2	267413	Roller Asm w/ 3" Base (See Page 28)
4	4	265150	Roller, 5" (See Page 28)
5	4	265935	Stand Off, 3 5/8"
6	1	290119	Flap Assembly
7	4	980028	Pillow Block Bearing 1 3/4
		980104	1 3/4" Bearing insert for Item #7
8	2	267260	Elevator Head Shaft
9	4	268261	Split Sprocket, 12T x 56MM -1 3/4Bore
10	2	980218	Bushing, Q1-1 3/4
11	2	267295	Sprocket 80Q36T
	Optional	980674	Sprocket 80Q40T(for Scrub Mode)
12	1	910444	Spreader
13	2	268255	Spacer Block



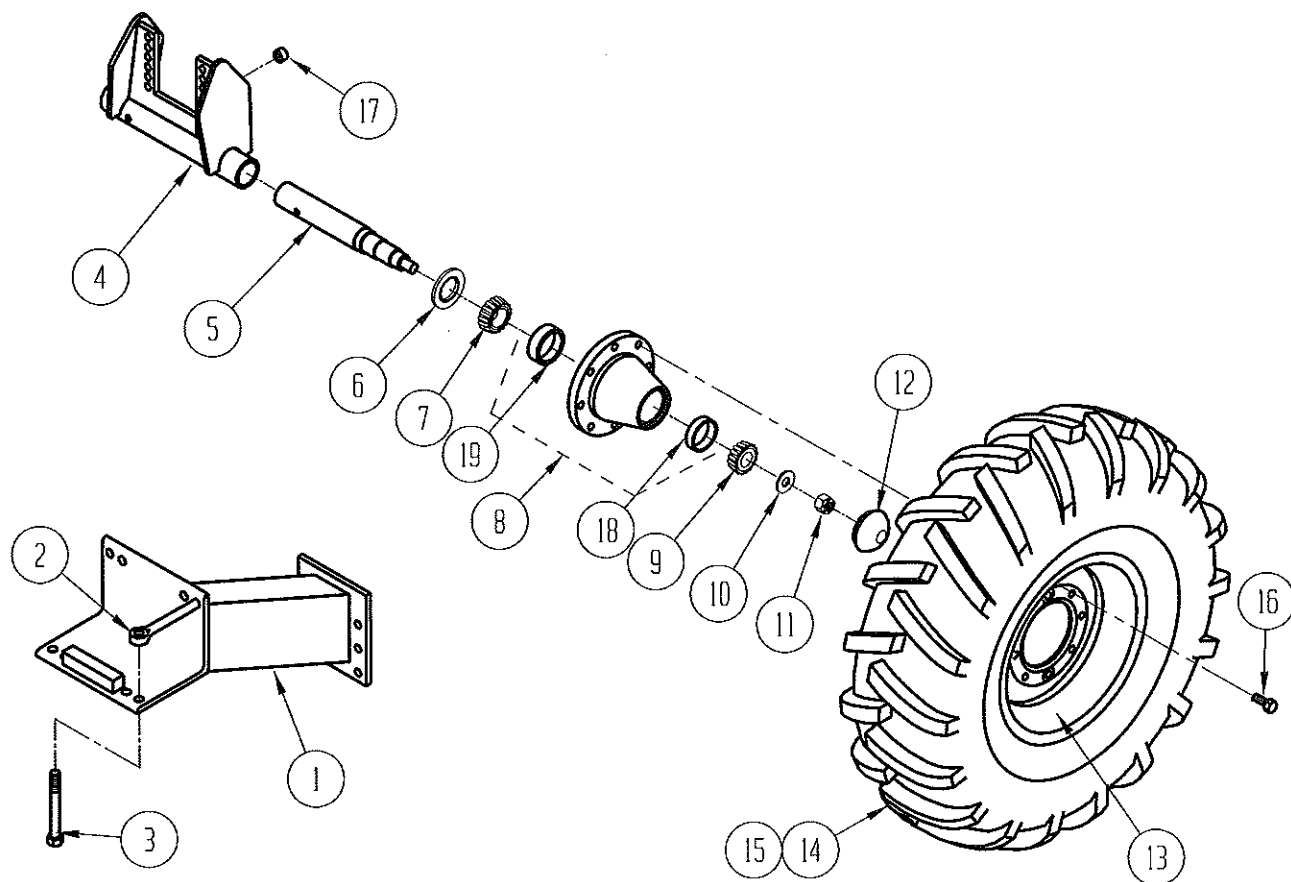
ROLLERS & IDLER SPROCKETS

ITEM NO.	QUANTITY PER ROLLER	PART NO.	DESCRIPTION
1	1	980081	Bearing, 5/8
2	1	998946	Snap Ring
3	1	265957	Bearing Repair Kit
4	1	267172	Stub Shaft, GB2 w/ 3" Base
5	1	265955	Stub Shaft, J2
6	1	265956	Stub Shaft, D2
7	1	265959	Bearing Repair Kit
8	1	265960	Stub Shaft w/ 3" Base
9	1	267415	Stub Shaft w/ 3" Base



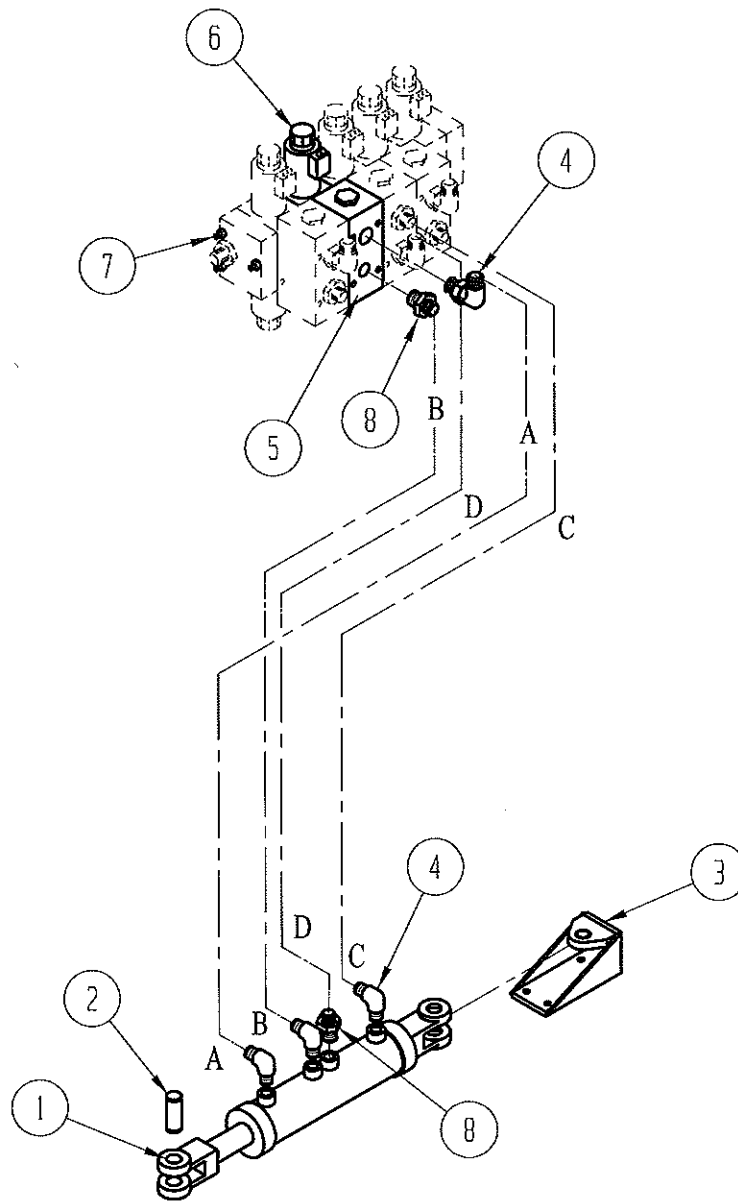
STEERABLE REAR WHEEL ASSEMBLY

ITEM NO.	QUANTITY	PART NO.	DESCRIPTION
1	1	267966	Upper Strut, RH
2	1	267960	Upper Strut, LH
3	1	265233	Cylinder Ear
4	1	264405	Tie Rod Assembly w/Bushings
5	1	250098	Tie Rod End
6	4	999956	Spindle
7	4	990094	Seal
8	4	990000	Bearing Cone (Inner)
9	4	990001	Bearing Cup (Inner)
10	4	999964	Wheel Hub with Cups
11	4	999981	Hub Asm(Includes Lugs, Bearings, Seals, Races)
12	4	990002	Bearing Cone (Outer)
13	4	999965	Flat Washer-7/8
14	4	999960	Castle Nut-7/8
15	4	999952	Hub Cap
16	4	300046	Wheel 10 x 24
17	4	331224	Tire 11.2 x 24 Lug
18	4	300045	Tube 11.2 X 24
19	32	997905	Lug Bolt
20	1	998943	Hydraulic Cylinder, 3 x 6(1-Way Steering) See page 32 for 2-Way Return to Straight Steering
21	2	-----	Hose Assembly, 1/2 100R1 x 96 w/ 1/2 Male Rigid & 1/2 Female Swivel Ends
22	2	-----	Key, 1/2 Sq. x 3 1/4
23	1	267927	Hydraulic Tube Assembly
24	2	267678	Middle Strut
25	4	264714	Spacer
26	8	997903	Eye Bolt 3/4 x 6 1/2
27	4	990003	Bearing Cup (Outer)
28	5	990251	Bushing
29	2	295043	Male 90° Elbow, 1/2 x 1/2 O-Ring
30	1	265012	Cylinder Stop
31	2	267157	Strut Bottom
32	1	990250	Bushing
33	8	-----	Hex Cap Screw, 3/4 x 8 1/2
34	2	282058	Bushing, R1-2 3/16
35	2	267962	Steering Arm
36	2	267322	Wear Disk
37	2	268420	Floatation Strut Wid(Optional)(not shown)
38	2	701282	Floatation Strut Spindle(Optional)
39	2	701283	Hub Package(Optional)
40	2	701351	16.1 Wheel, 3 3/16 Offset(Optional)
41	2	268113	Tire 21.5 x 16.1 Traction(Optional)
42	2	701325	Tube(Optional)
43	1	268428	Tie-Rod Assembly(Optional)



NON-STEERABLE WHEEL STRUT ASSEMBLY

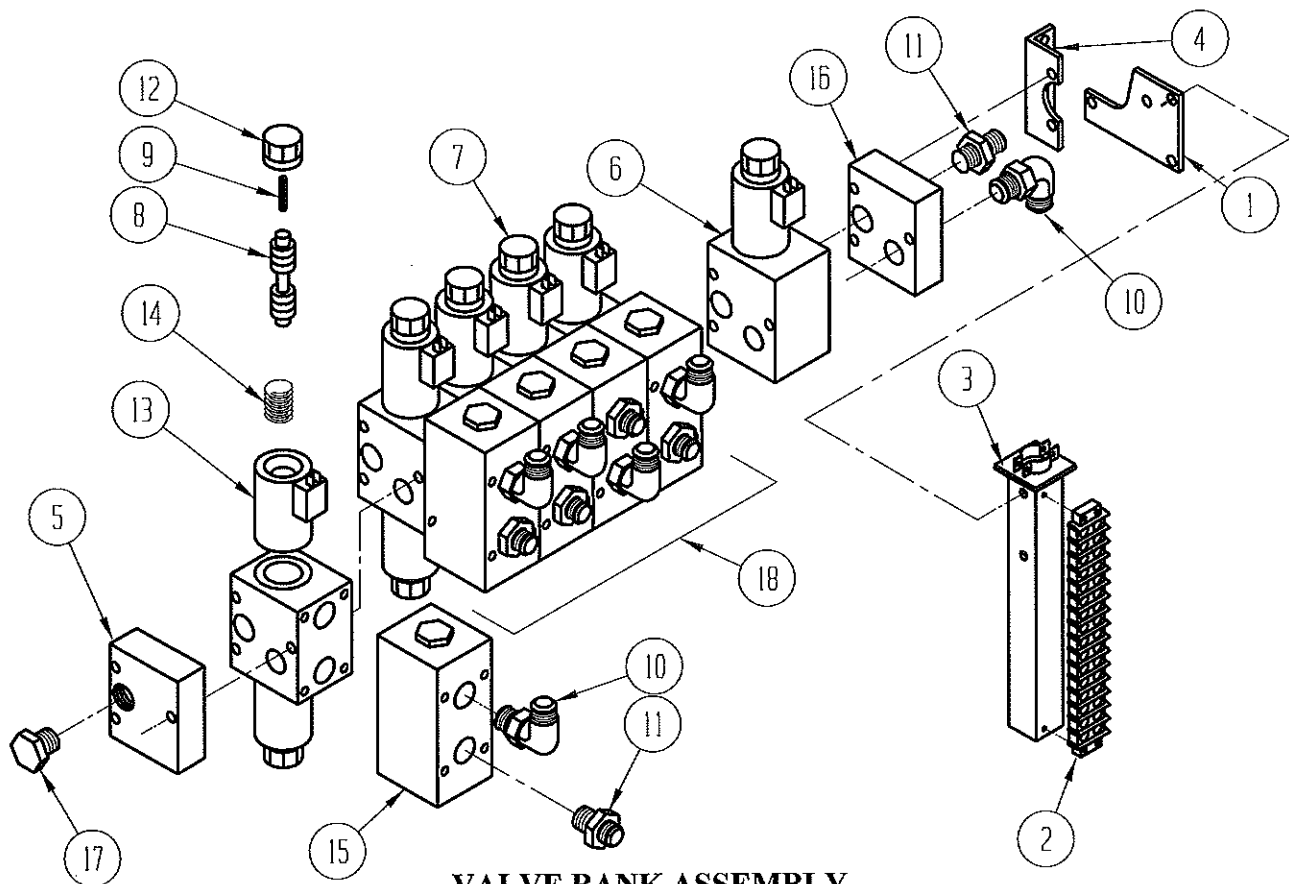
ITEM NO.	QUANTITY	PART NO.	DESCRIPTION
1	2	268321	Non-Steerable Strut
2	8	997903	Eye Bolt 3/4 x 6 1/2
3	8	-----	Hex Cap Screw 3/4 x 8 1/2
4	2	267157	Lower Strut
5	4	999956	Spindle
6	4	990094	Seal
7	4	990000	Inner Bearing Cone
8	4	999964	Wheel Hub With Cups
9	4	990002	Outer Bearing Cone
10	4	999965	7/8 Flat Washer
11	4	999960	7/8 Slotted Nut
12	4	999952	Hub Cap
13	4	300046	Wheel 10 x 24
14	4	331224	Tire 11.2 x 24
15	4	300045	Tube
16	32	997905	Lug Bolt
17	4	264714	Spacer
18	4	990003	Bearing Cup(outer)
19	4	999901	Bearing Cup(inner)



**2-WAY STEERING RETURN TO STRAIGHT
265228**

ITEM NO.	QUANTITY	PART NO.	DESCRIPTION
1	1	265226	Double Rod Cylinder
2	2	265254	Cylinder Pin w/ Hair Pins
3	1	265236	Cylinder Ear
4	4	295043	Straight Thread Elbow, 1/2 X 1/2 O-Ring
5	1	265850	P.O. Check
6	1	265845	Work Valve**
7	1	265841	Bolt/Mounting Kit, 3 Bank Valve
	1	265842	Bolt/mounting kit, 4 Bank Valve
8	1	295024	Straight Thread Connector, 1/2 x 1/2 O-Ring

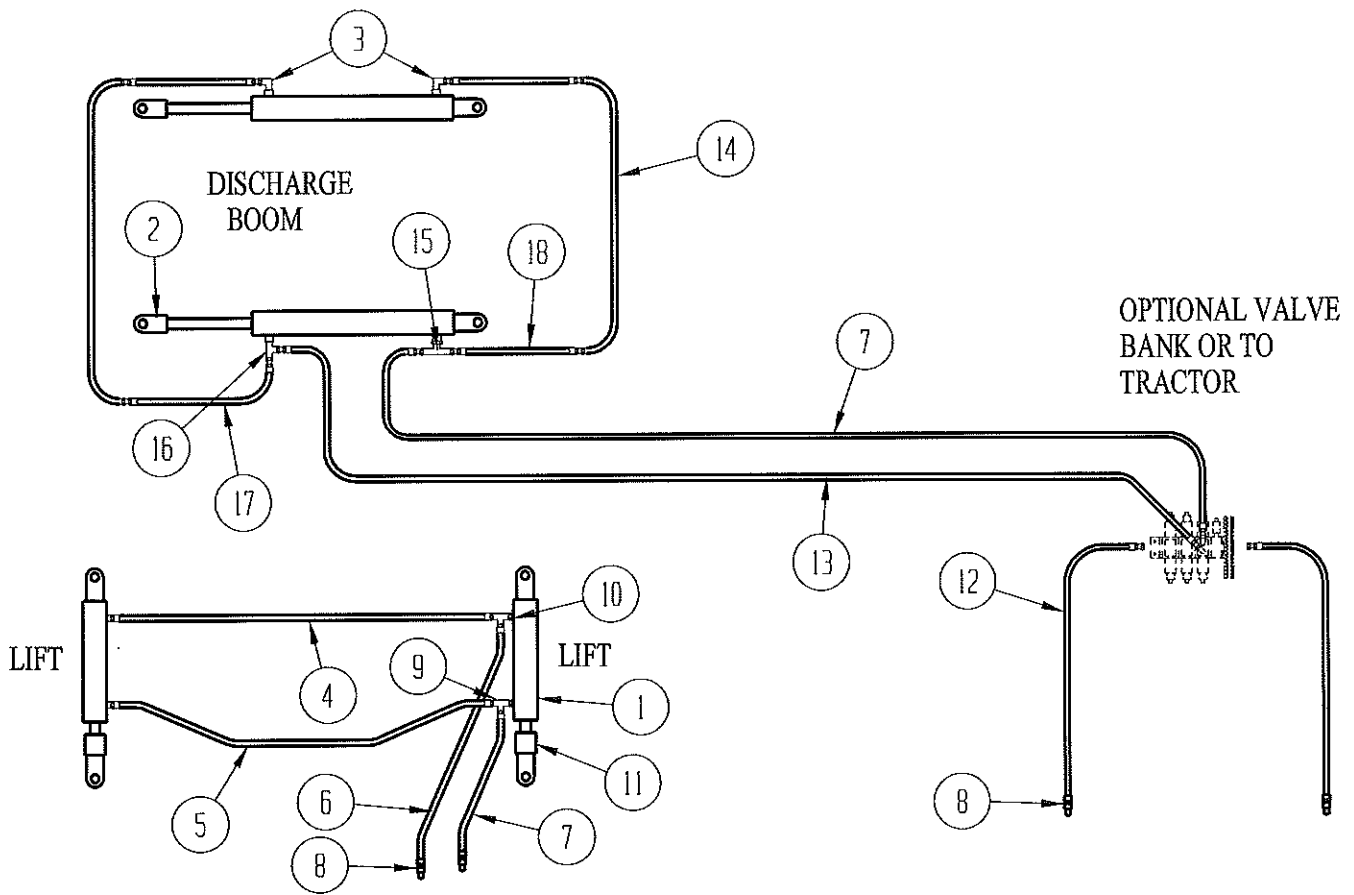
**See Page 33 for Valve Parts Breakdown



VALVE BANK ASSEMBLY

- 265727 4-Bank Valve Assembly
- 265726 3-Bank Valve Assembly
- 265725 2-Bank Valve Assembly

ITEM NO.	QUANTITY	PART NO.	DESCRIPTION
1	1	265843	Mounting Plate
2	1	264713	16 Wire Terminal Block
3	1	264709	Terminal Mounting Bracket
4	1	265847	Bolt/Mounting Kit (2-Bank)
	1	265848	Bolt/Mounting Kit (3-Bank)
	1	265849	Bolt/Mounting Kit (4-Bank)
5	1	265846	End Plate
6	1	265844	Un-loader Valve
7	As Req'd	265845	Work Valve
8	As Req'd	265979	Spool
9	As Req'd	265980	Push Pin
10	As Req'd	295043	Straight Thread Elbow 1/2 x 1/2 O-Ring
11	As Req'd	295024	Straight Thread Connector 1/2 x 1/2 O-Ring
12	As Req'd	265981	Retainer Cap
13	As Req'd	265982	Solenoid Coil
14	As Req'd	265983	Spring
15	As Req'd	265850	P.O. Check
16	1	265964	Inlet Plate
17	1	295096	O-ring Plug, 1/2
18	1	265840	2-Bank Valve Asm W/out Fittings
	1	265841	3-Bank Valve Asm W/out Fittings
	1	265842	4-Bank Valve Asm W/out Fittings



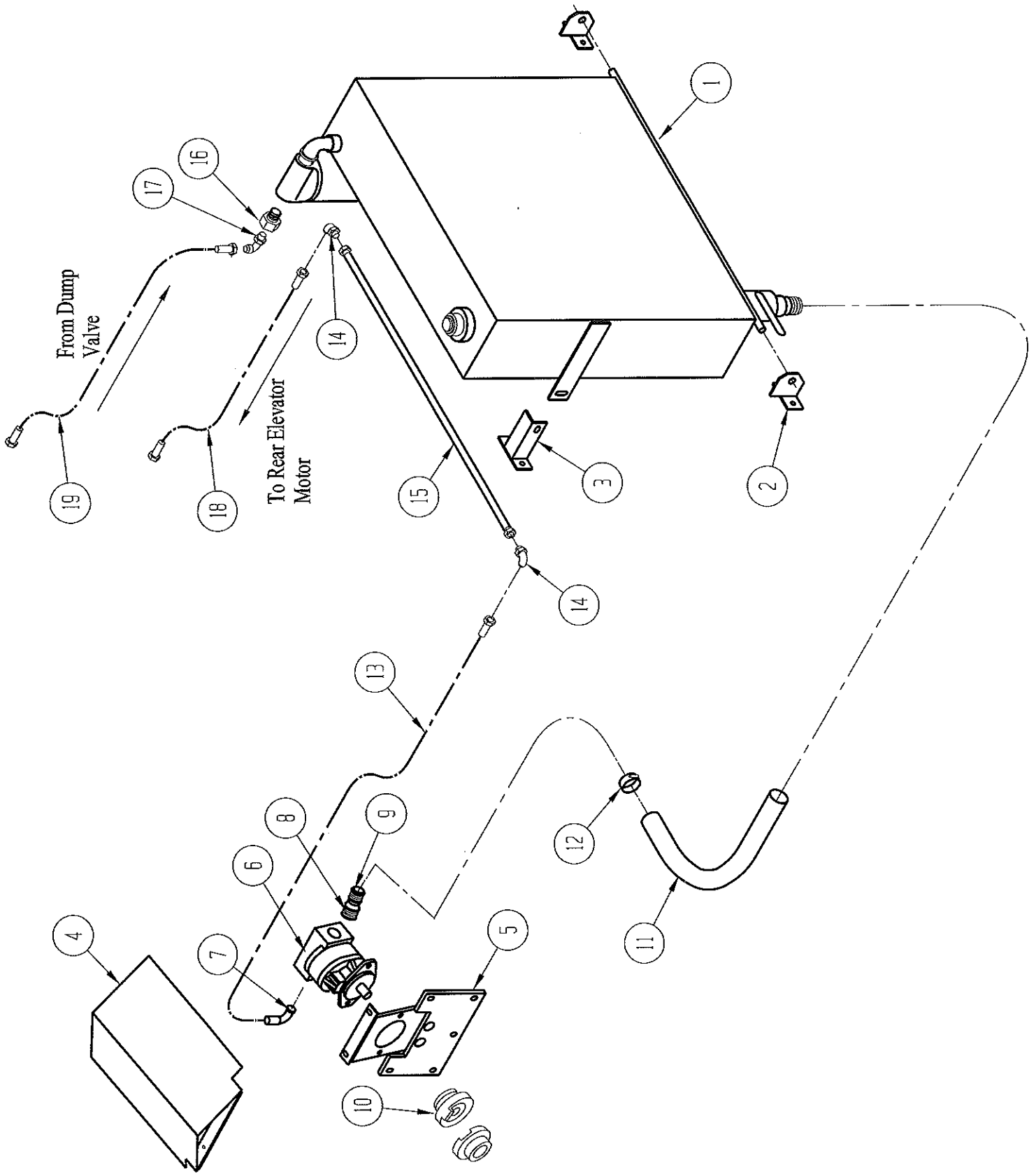
HYDRAULIC SCHEMATIC (Cylinders)

ITEM NO.	QUANTITY	PART NO.	DESCRIPTION
1	2	267835	Hydraulic Cylinder 3 x 8 w/ Hardened Clevis(267837)
2	2	300086	Hydraulic Cylinder 2 1/2 x 24
3	2	C5405-8-8	Male Elbow, 90° x 1/2 O-Ring
4	1	-----	Hyd. Hose, 1/2 100R2 x 41 w/ 1/2 JIC M & F Ends
5	1	-----	Hyd. Hose, 1/2 100R2 x 51 w/ 1/2 JIC M & F Ends
6	1	-----	Hyd. Hose, 1/2 100R2 x 144 w/ 1/2 JIC M Ends
7	1	-----	Hyd. Hose, 1/2 100R2 x 102 w/ 1/2 JIC F Ends
8	4	291027	Quick Coupler, 1/2
9	2	C5705-8	Union Tee, 1/2 JIC
10	2	C5315-8	Connector, 1/2 x 1/2 O-Ring
11	2	522012	Stroke Control Kit
12	1	-----	Hyd. Hose, 1/2 100R2 x 192 w/ 1/2 Male Pipe Rigid & F JIC Swivel Ends
13	1	-----	Hyd. Hose, 1/2 100R2 x 128 w/ 1/2 JIC F Ends
14	2	266160	Hydraulic Tube Asm
15	1	C5715-8	Straight Thread Branch Tee, 1/2 JIC
16	1	C5716-8	Straight Thread Run Tee, 1/2 JIC
17	2	-----	Hyd. Hose, 1/2 100R2 x 48 w/1/2 JIC M Rigid & F Swivel Ends
18	2	-----	Hyd. Hose, 1/2 100R2 x 75 w/1/2 JIC M Rigid & F Swivel Ends

*Please specify brand of cylinder involved when ordering seal kits.

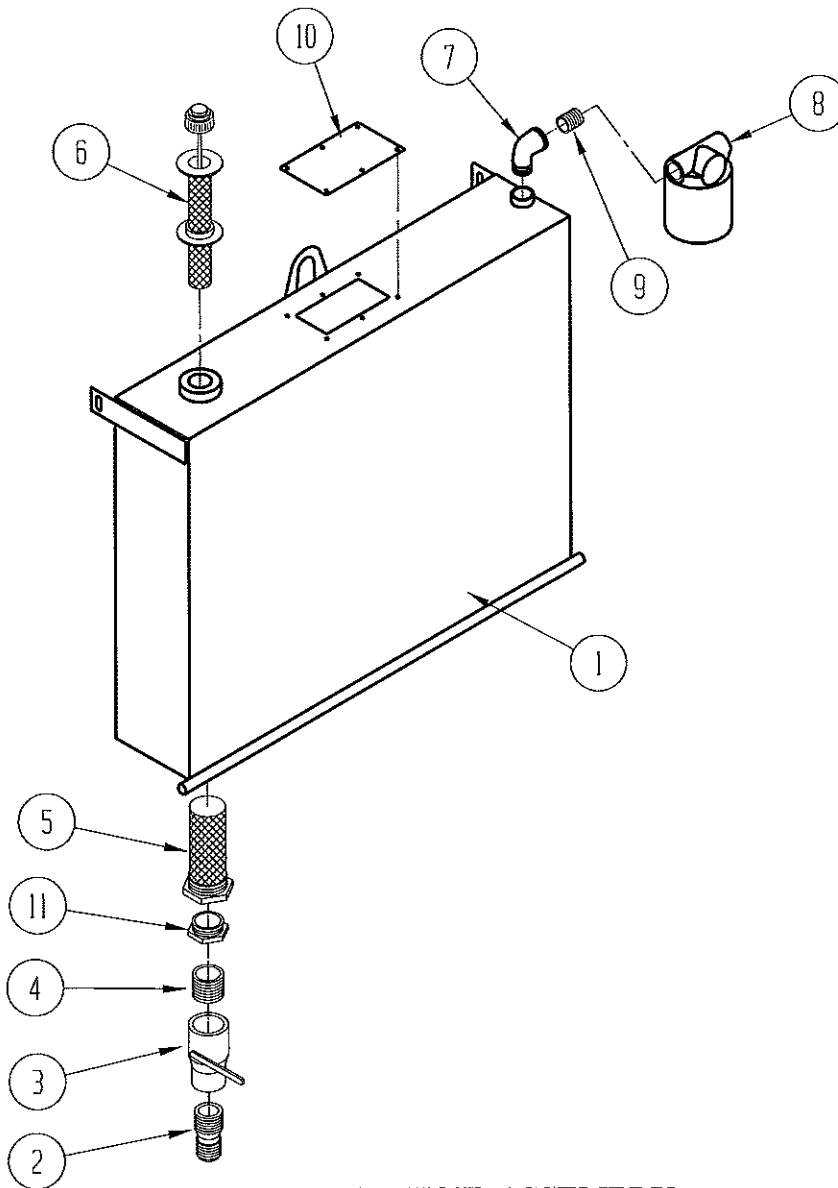
HYDRAULIC SCHEMATIC
(Motor Drives, Tractor Driven)

ITEM NO.	QUANTITY	PART NO.	DESCRIPTION
1	2	300073	Hydraulic Motor
2	1	267766	Dump Valve
		267801	Replacement Coil for Item #2
		267767	Replacement Cartridge for Item #2
3	3	C5515-12	Straight Thread Elbow
4	1	C5515-6-4	Straight Thread Elbow
5	1	-----	Hydraulic Hose Asm, 3/4 100R2 x 70 w/ 3/4 JIC Female Swivel Ends
6	1	-----	Hydraulic Hose Asm, 3/4 100R2 x 110 w/ 3/4 JIC Male Rigid & Female Swivel Ends
7	1	-----	Hydraulic Hose Asm, 1/4 x 10 w/ 3/8 JIC Female Swivel Ends
8	1	C5706-12	Swivel Nut Run Tee
9	1	-----	Hydraulic Hose Asm, 3/4 100R2 x 100 w/ 3/4 JIC Female Swivel Ends
10	1	-----	Hydraulic Hose Asm, 3/4 100R2 x 163 w/ 3/4 Female Swivel Ends
11	1	-----	Hydraulic Hose Asm, 3/4 100E2 x 155 w/ 3/4 JIC Female Swivel Ends
12	2	267927	Tube Assembly
13	1	C5716-12	Straight Thread Run Tee
14	1	266162	Elbow
15	1	264084	Draw Bolt
16	1	266089	Motor Mounting Bracket
17	1	980751	Idler Sprocket, 12 Tooth RC 80
18	1	267297	Sprocket, 80 SDS18T
19	1	980282-5/16	Bushing, SDS 1 1/4", 5/16kw
20	98 Links	980912	Roller Chain, RC80
21	1	980927	Master Link, RC80
22	2	291027	Quick Coupler, 1/2 Male
23	1	C5705-12	Branch Tee
24	1	264886	Relief Valve
		264887	Relief Valve Cartridge Only
25	2	C5506-12	Swivel Nut Elbow, 3/4 JIC
26	2	C5216-12-12	Straight Thread Connector
27	1	C5405-6	Elbow
28	1	C5315-10-12	Straight Thread Connector
29	3	C5505-12	Union Elbow, 3/4 JIC
30	2	-----	Hydraulic Hose Assembly, 3/4 100R2 x 216 w/ 3/4 JIC Male & 1/2 Male Pipe Ends
31	1	268239	Control Valve



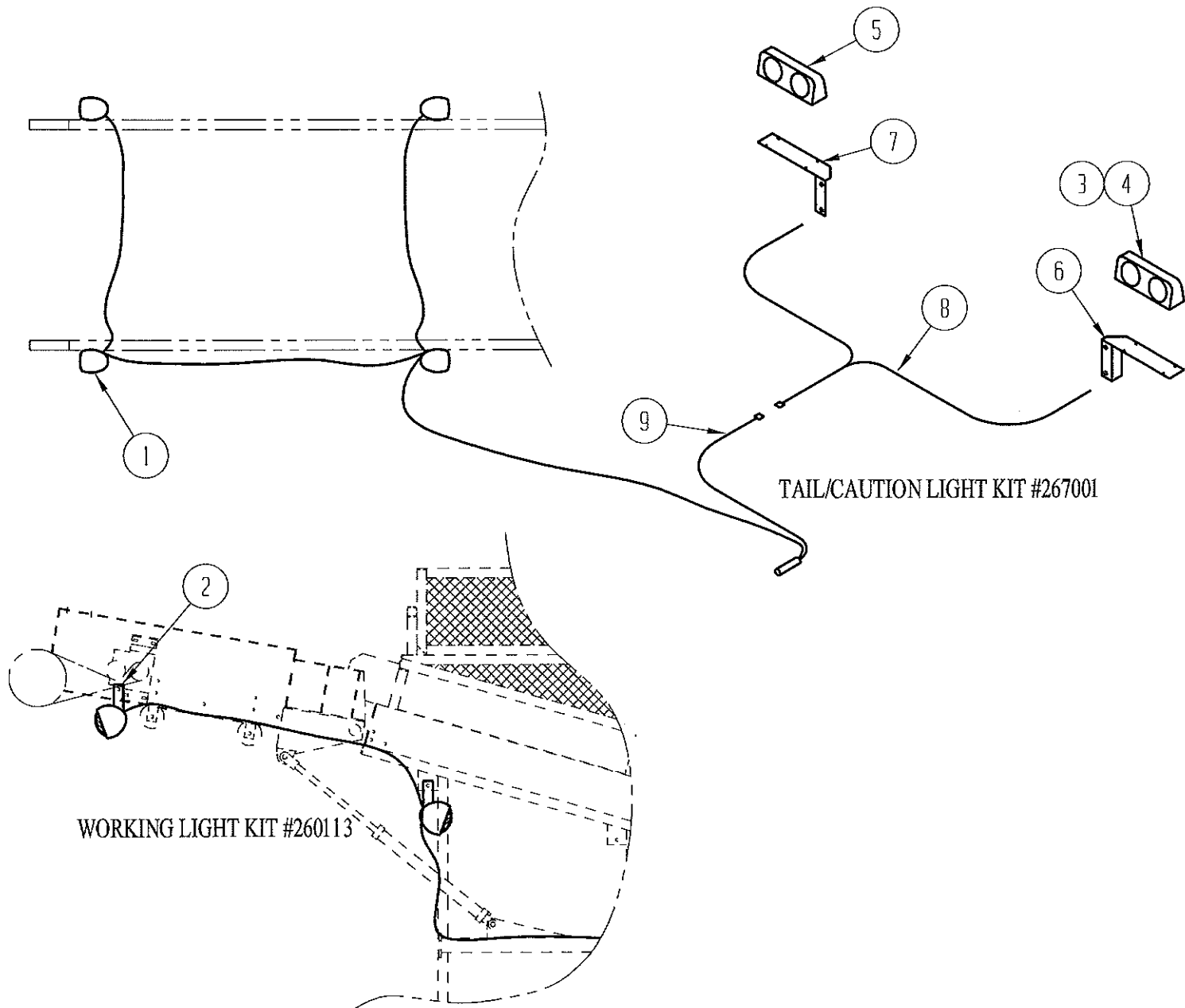
SELF CONTAINED HYDRAULIC OPTION

ITEM NO.	QUANTITY	PART NO.	DESCRIPTION
1	1	267966	Hydraulic Reservoir Assembly
2	2	267975	Bottom Mounting Bracket
3	2	267714	Top Mounting Bracket
4	1	267720	Pump Cover
5	1	267717	Pump Bracket
6	1	268441	Hydraulic Pump RH Rotation
7	1	2503-16-16	Straight Thread Elbow
8	1	20-1 ½ F5OG	Female Pipe Adapter
9	1	290108	King Nipple, 1 1/2"
10	1	268440	Coupler, 1 ¾ to 1"
11	1	290805	Suction Hose, 1 1/2 x 110"
12	2	264833	Hose Clamp
13	1	-----	Hydraulic Hose, 1" 100R2 x 110 w/ 90° Split Flange & 1 x 3/4 Female Swivel Hose Ends
14	2	2303-12-12	Union Elbow
15	1	267927	Hydraulic Tube Assembly
16	1	0102-20-12	Bushing, 1 1/4 x 3/4 Pipe
17	1	C5405-12	Elbow, 3/4 x 90°
18	1	-----	Hydraulic Hose, 3/4 100R2 x 88 w/ Female Swivel Hose Ends
19	1	-----	Hydraulic Hose, 3/4 100R2 x 85 w/ Female Swivel Hose Ends



**HYDRAULIC RESERVOIR ASSEMBLY
(SELF CONTAINED HYDRAULIC OPTION)**

ITEM NO.	QUANTITY	PART NO.	DESCRIPTION
1	1	267967	Hydraulic Reservoir
2	1	290108	King Nipple, 1 1/2"
3	1	250083	Ball Valve, 1 1/2"
4	1	-----	Pipe Nipple, 1 1/2" NPT
5	1	264069	Suction Strainer
6	1	250117	Filter Cap Assembly
7	1	-----	Street Ell, 1 1/4 x 90
8	1	290330	Filter and Head Assembly
	1	290199	Filter Element Only, 10 Micron
9	1	-----	Pipe Nipple, 1 1/4" NPT
10	1	267011	Access Lid
11	1	-----	Reducer, 2 x 1 1/2

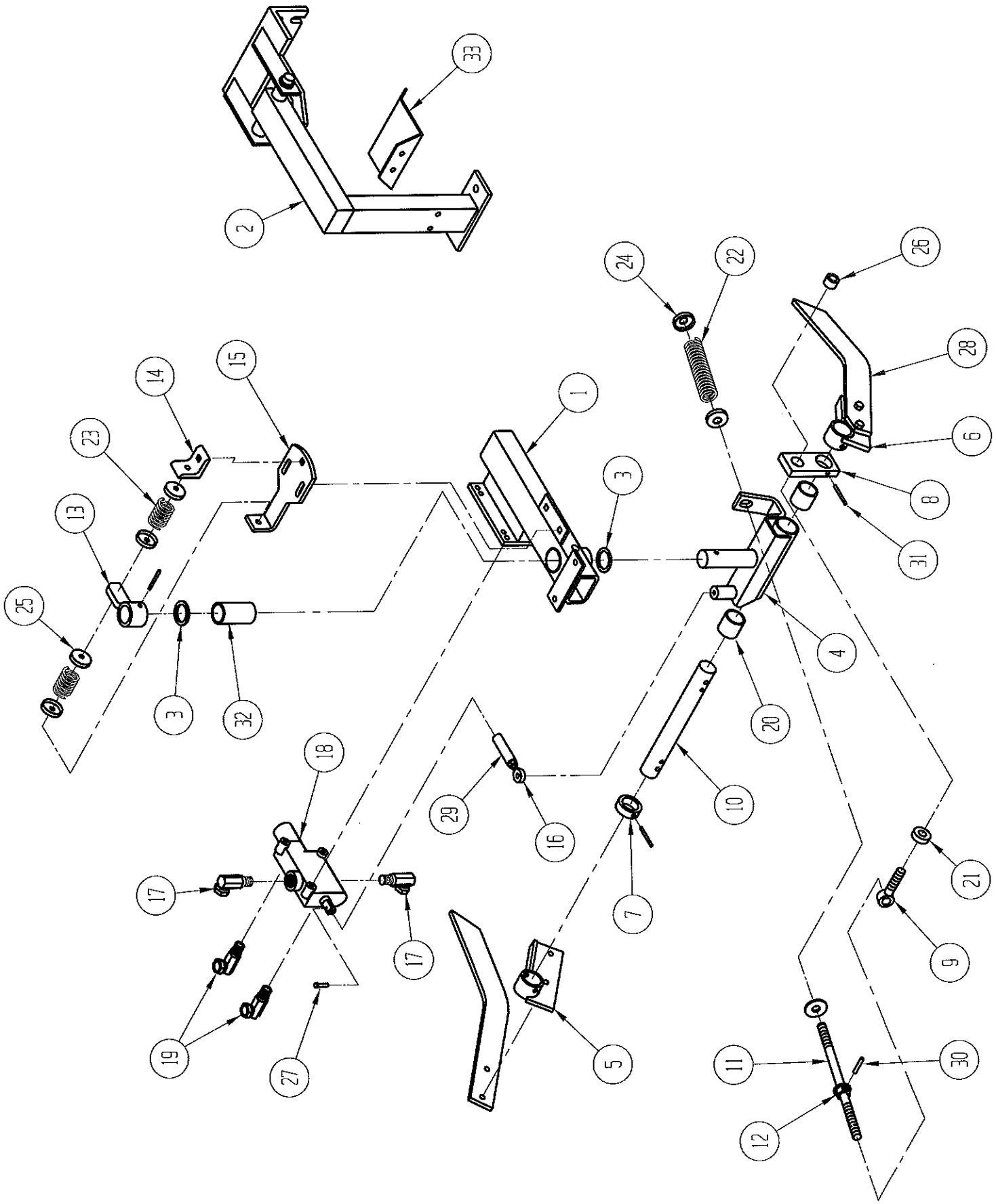


TAIL/CAUTION LIGHT KIT #267001

WORKING LIGHT KIT #260113

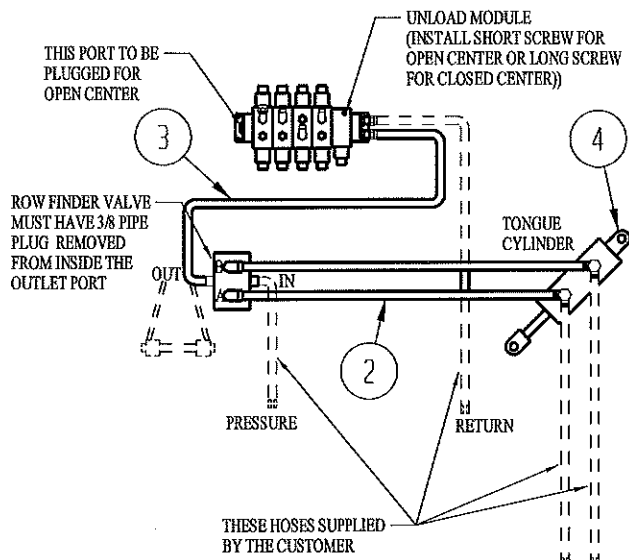
LIGHTING KITS

ITEM NO.	QUANTITY	PART NO.	DESCRIPTION
1	4	265337	Light Assembly
2	4	250111	Mounting Bracket
3	4	521277	Light Bulb #1157
4	1	521271	Dual Light, LH
5	1	521272	Dual Light, RH
6	1	266167	Light Bracket, LH
7	1	266168	Light Bracket, RH
8	1	521275	Wishbone Rear Harness
9	1	521274	Straight Harness, 7 Pin

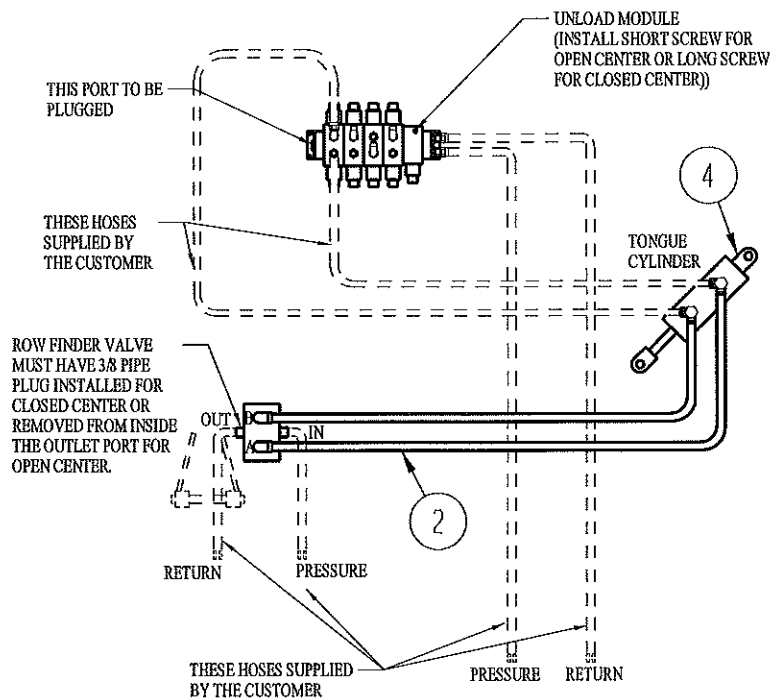


ROW FINDER ASSEMBLY
(#268278)

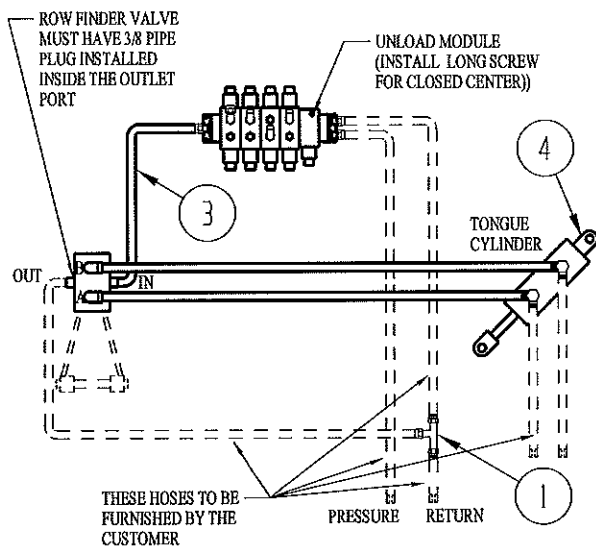
ITEM NO.	QUANTITY	PART NO.	DESCRIPTION
1	1	266468	Row Finder Body
2	1	268274	Mounting Arm
3	3	998423	Shim
4	1	998236	Control Arm
5	1	998227	Collar (RH)
6	1	998225	Collar (LH)
7	1	998210	Set Collar
8	1	998211	Link Arm Plate
9	1	998607	Rod End Take-up Bolt
10	1	998212	Guide Arm Shaft
11	1	998487	Tension Bolt
12	1	998492	Adjusting Nut
13	1	998484	Control Arm Headpiece
14	1	998490	Tension Plate Bracket
15	1	998483	Tension Plate
16	1	300082	Male Rod End
17	2	2107-12-6	Swivel Elbow, 90° X 3/4 M x 3/8 Female NPT
18	1	903018	Control Valve
19	2	2107-8-6	Swivel Elbow, 90° X 1/2 M x 3/8 Female NPT
20	2	890020	Sleeve Bearing
21	1	998214	Spacer
22	1	998494	Compression Spring
23	2	998493	Compression Spring
24	2	890358	Expansion Plug
25	4	890357	Expansion Plug
26	1	998215	Bushing
27	1	-----	Roll Pin 3/16 x 1
28	2	998224	Fin
29	1	998228	Valve Take-up Bracket
30	1	-----	Roll Pin 1/4 x 1 1/2
31	3	-----	Roll Pin 5/16 x 2
32	1	998230	Bushing
33	1	267156	Cover



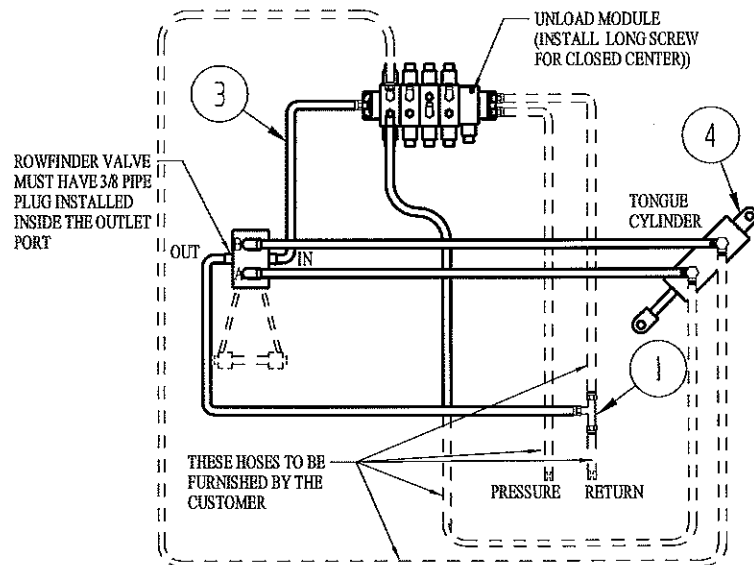
OPEN CENTER HYDRAULICS
PLUMBING USING TRACTOR VALVE OVERRIDE



OPEN & CLOSED CENTER HYDRAULICS
PLUMBING USING TRACTOR POWER BEYOND
AND VALVE BANK OVERRIDE



CLOSED CENTER HYDRAULICS
PLUMBING USING TRACTOR VALVE OVERRIDE

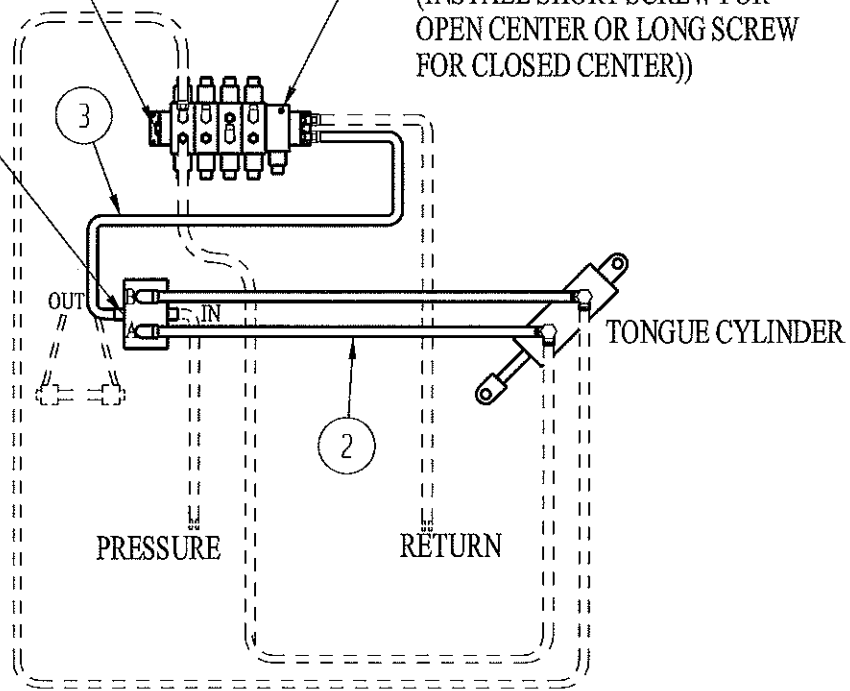


CLOSED CENTER HYDRAULICS
PLUMBING USING VALVE BANK OVERRIDE

THIS PORT TO BE PLUGGED FOR OPEN CENTER

UNLOAD MODULE (INSTALL SHORT SCREW FOR OPEN CENTER OR LONG SCREW FOR CLOSED CENTER))

ROW FINDER VALVE MUST HAVE 3/8 PIPE PLUG REMOVED FROM INSIDE THE OUTLET PORT.

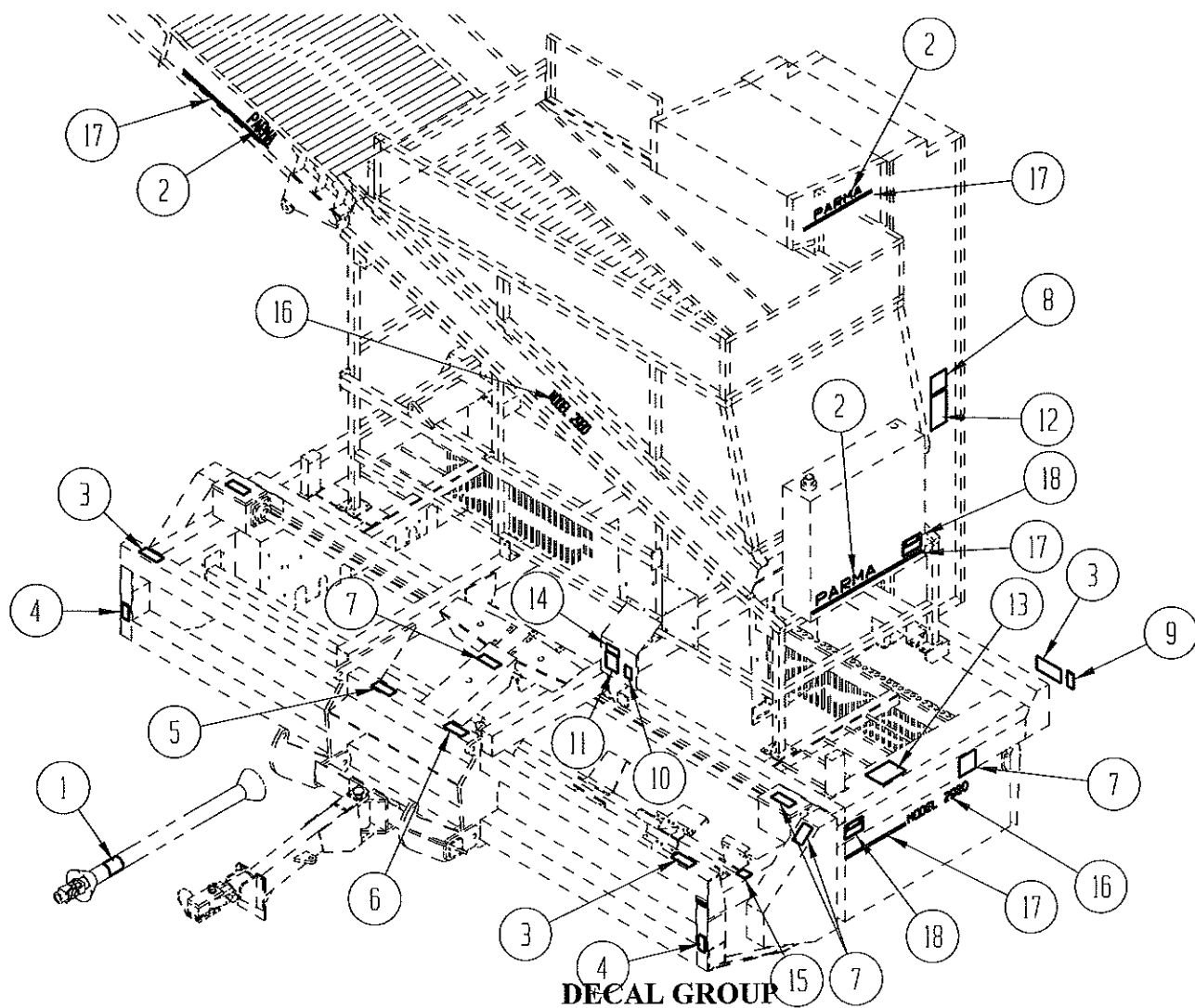


**OPEN CENTER HYDRAULICS
PLUMBING USING VALVE BANK OVERRIDE**

NOTE:
ALL UNIDENTIFIED HYDRAULIC HOSES ARE TO BE FURNISHED BY THE CUSTOMER.

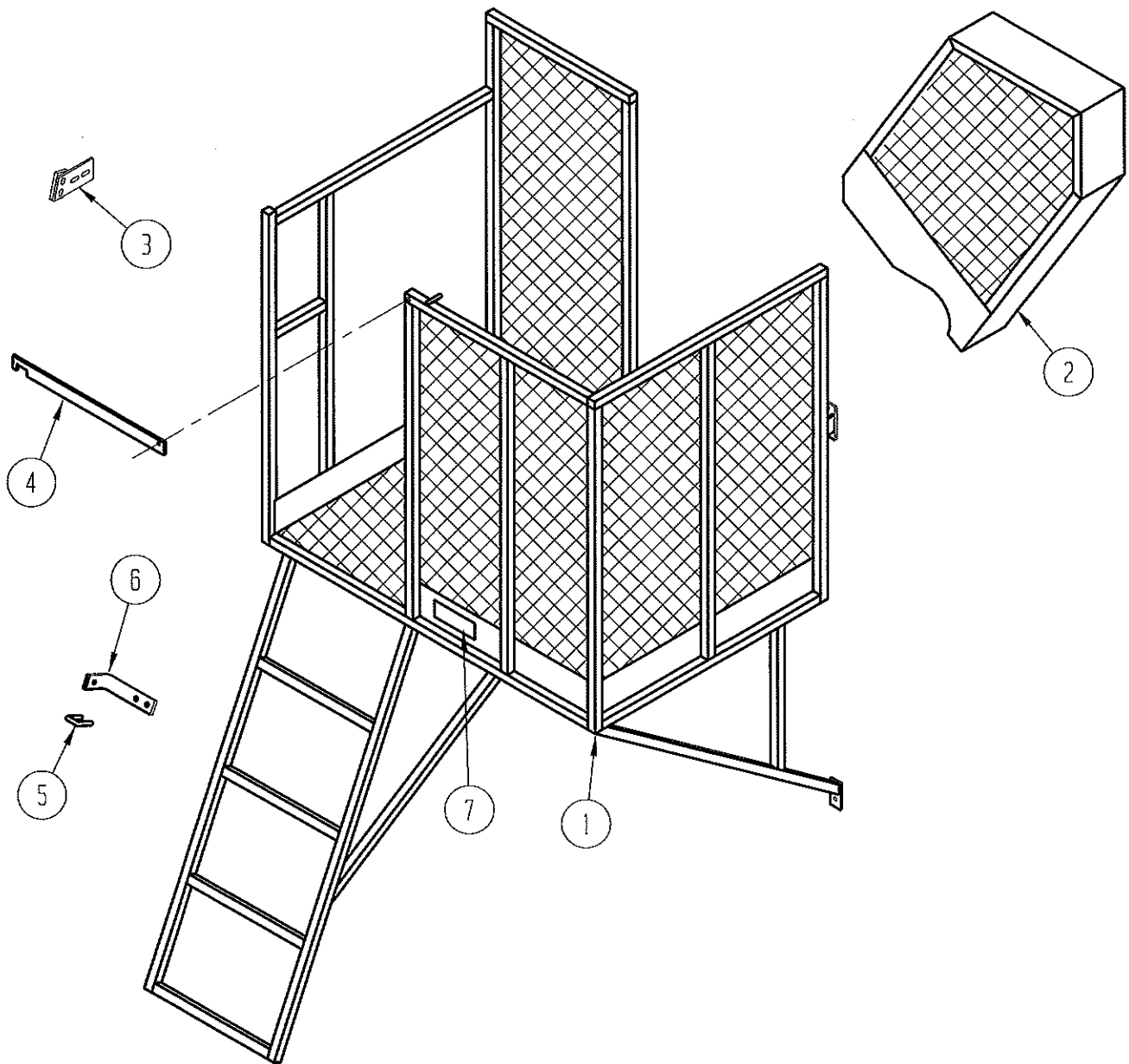
**ROW FINDER HYDRAULICS
OPEN/CLOSED CENTERS
Pages 43 and 44**

ITEM NO.	QUANTITY	PART NO.	DESCRIPTION
1	1	C5705-8	Union Tee, 1/2 X 1/2 JIC
2	2	902105	Hydraulic Hose, 1/2 x 42 w/ 1/2 Male Pipe Ends
3	1	902107	Hydraulic Hose, 3/8 x 96 w/ 3/8 Male Pipe Ends
4	1	998940	Hydraulic Cylinder 3 1/2 x 8



DECAL GROUP

ITEM NO.	QUANTITY	PART NO.	DESCRIPTION
1	1	990798	Decal, PTO Safety
2	5	264797	Decal, Parma
3	4	100404	Decal, Blocking
4	2	264515	Amber Reflector
5	2	100407	Decal, Safety Chain
6	1	100566	Decal, Maximum Speed
7	6	100409	Decal, Guard in Place
8	2	100311	Decal, Rotating Parts
9	2	264516	Red Reflector
10	1	100423	Decal, FEMA
11	1	100406	Decal, General Cautions
12	1	100746	Decal, Elevator Diagram
13	2	100403	Decal, Grab Roll Caution
14	1	100408	Decal, Hydraulics Pressurized
15	1	100748	Decal, Patent Pending
16	3	267924	Decal, Model 2966
	3	268006	Decal, Model 2986
17	Approx. 30'	264798	Double Stripe Tape
18	2	265933	Decal, Danger Do Not Ride

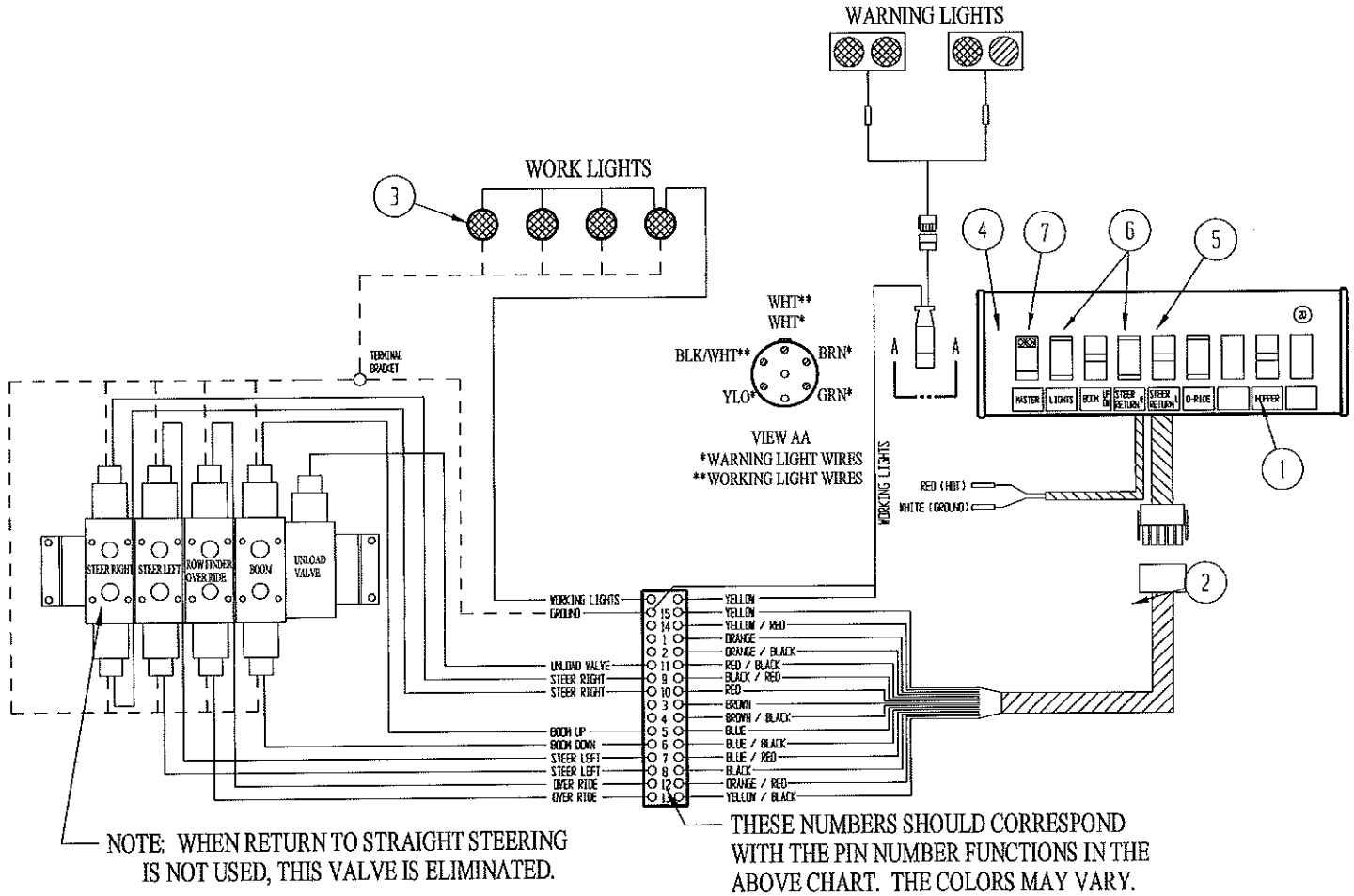


PLATFORM ASSEMBLY

ITEM NO.	QTY	PART NO.	PART NO.	DESCRIPTION
		2966	2980 Series	
1	1	267999	266517	Platform
2	1	267998	267998	Elevator Drive Cover
3	1	267993	267993	Ladder Bracket, Bottom
4	1	266445	266445	Latch
5	2	266520	266520	U-Bolt
6	1	267992	267992	Ladder Bracket, Top
7	1	265933	265933	Decal, Danger

SWITCH BOX 15 POSITION CONNECTOR PIN NUMBERS/COLORS

PIN#	COLOR	FUNCTION	PIN#	COLOR	FUNCTION
1	ORANGE	NOT USED	9	BLACK/RED	STEER RIGHT
2	ORANGE/BLK	NOT USED	10	RED	STEER RIGHT
3	GREEN	NOT USED	11	RED/BLACK	UNLOAD VALVE
4	BROWN/BLK	NOT USED	12	ORANGE/RED	OVER RIDE
5	BLUE	BOOM UP	13	YELLOW/BLK	OVER RIDE
6	BLUE/BLK	BOOM DOWN	14	BLACK/WHITE	NOT USED
7	BLUE/RED	STEER LEFT	15	YELLOW	GROUND
8	BLACK	STEER LEFT			

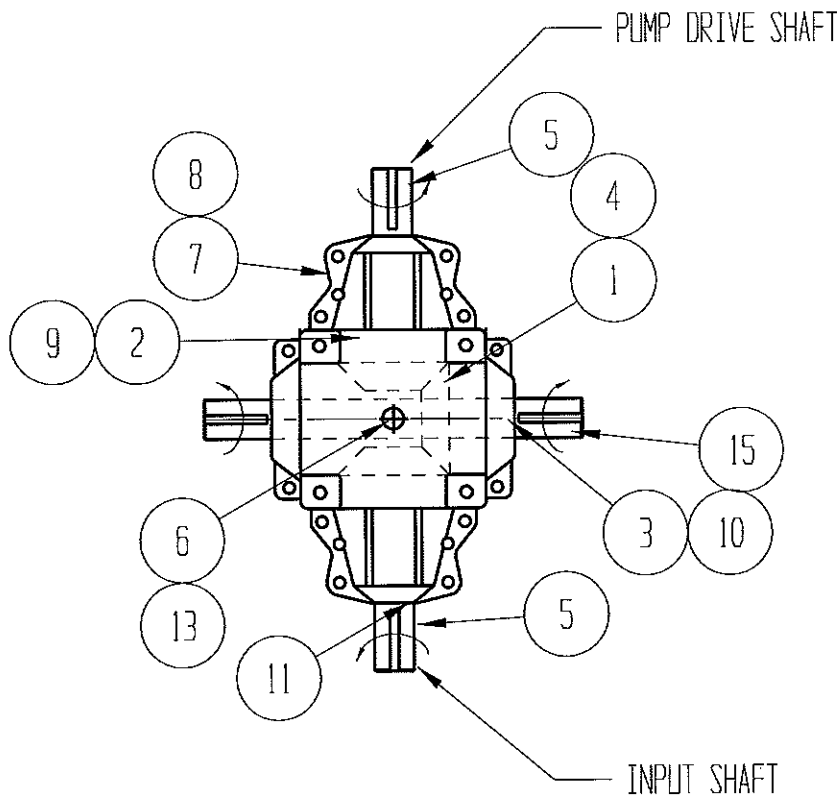


WIRING SCHEMATIC

ITEM NO.	QUANTITY	PART NO.	DESCRIPTION
1	1	264543	Switch Box
2	1	264546	15 Wire Cable
3	1	-----	Light Kit
4	1	264895	Master Switch
5	2	264896	Momentary Switch
6	2	265357	Toggle Momentary Switch
7	1	264897	On-Off Switch

2-1 GEARBOX PARTS
266212

ITEM NO.	QUANTITY	PART NO.	DESCRIPTION
1	1	267213	#621036SP Gear R6 2:1 36T
2	2	990946	603782 Bearing Cone 1.75 VN-3782
3	4	999409	625581 Bearing Cone 1.75 VN-25581
4	3	999518	603493 Retaining Ring Ext 1.75 Shaft
5	2	267214	621618-01 Shaft Asm, Pinion 621618
6	1	999117	2003PR Plug, Vent 5 PSI
7	1	999463	630001-4 Casting, Mach 600
8	1	999461	630002-0 Casting, Mach 600
9	2	999025	603720 Bearing, Cup 3.6718 VN-3720
10	4	990001	625520 Bearing, Cup 3.2650 VN-25520
11	4	999470	617285 Seal, 1.75-2.3437-.312 (R) TC
12	1	290644	4003VB Bushing, 1/2 NPT To 1/8 NPT
13	1	267215	600245 Key, 3/8 x 3/8 x 2.245
14	1	267216	600101-06 Spacer, 2.00 x 1.76, 4.993
15	1	267217	600212-05 Shaft, Cross 600212



NOTES