

PARMA[®]

**Model 2900 Series
Beet Harvester
OWNERS MANUAL/PARTS BOOK**

Manual Number 6012015-2900

PARMA COMPANY

P.O. BOX 190
PARMA, IDAHO 83660
PHONE (208) 722-5116 FAX (208) 722-6012
Website: www.parmacompany.com

TABLE OF CONTENTS

INTRODUCTION.....	1
DEALER/CUSTOMER CHECKLIST.....	8
SAFETY PRECAUTIONS	2
WARRANTY POLICY.....	10
PRELIMINARY DEALER INFORMATION	
FACTORY TOW AWAY.....	11
UNLOADING THE MACHINE.....	11
SETUP INSTRUCTIONS	12
REAR CARRIER WHEEL OPTION	12
LIFTER WHEELS.....	12
LIFTER WHEEL SCRAPERS	13
BELTED CHAIN ASSEMBLY	13
FINAL ADJUSTMENTS AND TEST RUN	17
LIFTER WHEEL PINCH POINTS	17
WHEEL TRACKING (steerable rear wheels only)	18
GRAB ROLL DRIVE TIGHTENERS	19
ROCK PROTECTION LIFTER WHEEL STRUTS	20
CARRIER WHEEL AND LIFTER WHEEL SPACING.....	20
OPTIONS SETUP AND ADJUSTMENTS	21
ROW FINDER OPERATION	21
ROW FINDER HYDRAULICS.....	23
REAR CARRIER WHEEL RETURN TO STRAIGHT	31
HYDRAULIC SYSTEM	25-30
FRONT VALVE BANK	25
HYDRAULIC DIAGRAM USING OPTIONAL VALVE BANK.....	27
HYDRAULIC DIAGRAM, SELF CONTAINED	28
HYDRAULIC SYSTEM RELIEF VALVES.....	29
PUMP AND MOTOR PERFORMANCE.....	29-30
FIELD ADJUSTMENTS	32
TRACTOR PTO & HORSEPOWER REQUIREMENTS.....	32
LIFTER WHEEL PINCH POINT & DIGGING DEPTH.....	32
PADDLE SHAFT HEIGHT ADJUSTMENT	33
GRAB ROLL SPACING ADJUSTMENT	33-34
REAR ELEVATOR.....	34
BEET DELIVERY FROM GRAB ROLLS	35
LOSS OF SMALL BEETS	35
MAINTENANCE SCHEDULE	36
TROUBLE SHOOTING	39
ELECTRICAL DIAGRAM	42
PARTS SECTION	43

INTRODUCTION

This manual has been prepared to acquaint you with the operation and maintenance of your PARMA Sugar Beet Harvester, and to provide important safety information. We urge you to read this manual carefully. The recommendations will help assure the safe and trouble free operation of your machine.

When it comes to service, keep in mind that your dealer knows your harvester well and is interested in your complete satisfaction. Your dealer invites you to call him for your service needs both during and after the warranty period.

We thank you for choosing a PARMA product and want to assure you of our continuing interest in your satisfaction. You have purchased a very good machine and with proper care it will give you good service.



SAFETY: THE MOST IMPORTANT SUBJECT OF ALL...YOU CAN LIVE WITH IT!

The Following safety instructions are provided to help assure that all operators of this equipment are trained in its operation and are familiar with the importance of safety in its use.



WITH OWNERSHIP COMES RESPONSIBILITY!

Many times the owner of this equipment is not the operator. The manufacturer delivers the equipment to a dealer, who in turn sells it to an owner. The owner may then assign another person to operate it. With each of these steps it is the duty of the one in possession of the equipment to be sure that the safe operation of the machine is fully explained to the person, or persons, actually operating it. Do not allow this machine to be used until the following safety material has been reviewed.

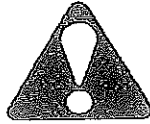
REMEMBER: One of the most common cause of injury or death around this type of equipment is because the operator does not shut the tractor engine off and remove the key when maintenance, adjustments, or cleaning of the machine is conducted!



SAFETY... YOU CAN LIVE WITH IT!

SAFETY PRECAUTIONS

TAKE NOTE! THIS SAFETY ALERT SYMBOL FOUND THROUGH OUT THIS MANUAL IS USED TO CALL YOUR ATTENTIN TO INSTRUCTIONS INVOLVING YOUR PERSONAL SAFETY AND THE SAFETY OF OTHERS. FAILURE TO FOLLOW THESE INSTRUCTIONS CAN RESULT IN INJURY OR DEATH.



THIS SYMBOL MEANS

ATTENTION!

BECOME ALERT!

YOUR SAFETY IS INVOLVED!

SIGNAL WORDS:

Note the use of the signal words **DANGER**, **WARNING** and **CAUTION** with the safety messages. The appropriate signal word for each has been selected using the following guidelines:

DANGER: Indicates an imminently hazardous situation that, if not avoided, will result in death or serious injury. This signal word is to be limited to the most extreme situations typically for machine components for which functional purposes cannot be guarded.

WARNING: Indicates a potentially hazardous situation that, if not avoided, could result in death or serious injury, and includes hazards that are exposed when guards are removed. It may also be used to alert against unsafe practices.

CAUTION: Indicates a potentially hazardous situation that, if not avoided, may result in minor or moderate injury. It may also be used to alert against unsafe practices.

If you have questions not answered in this manual or require additional copies or the manual is damaged, please contact your dealer.

SAFETY... YOU CAN LIVE WITH IT



SAFETY.... YOU CAN LIVE WITH IT



EQUIPMENT SAFETY GUIDELINES

Safety of the operator is one of the main concerns in designing and developing a new piece of equipment. Designers and manufacturers build in as many safety features as possible. However, every year many accidents occur which could have been avoided by a few seconds of thought and a more careful approach to handling equipment. You, the operator, can avoid many accidents by observing the following precautions in this section. To avoid personal injury, study the following precautions and insist those working with you, or for you, follow them.

In order to provide maximum safety to the operator or other persons around this machine, various shields and covers have been installed. Keep all shields and covers in place. If shield removal becomes necessary for repairs or any other reason, replace the shield prior to use.

Replace any CAUTION, WARNING, DANGER or instruction safety decal that is not readable or is missing. Location of such decals is indicated in this manual.

Do not attempt to operate this equipment under the influence of drugs or alcohol.

Review the safety instructions with all users annually.

This equipment is dangerous to children and persons unfamiliar with its operation. The operator should be a responsible adult familiar with farm machinery and trained in this equipment's operations. Do not allow persons to operate or assemble this unit until they have read this manual and have developed a thorough understanding of the safety precautions and of how it works.

Do not paint over, remove or deface any safety signs or warning decals on your equipment. Observe all safety signs and practice the instructions on them.

Never exceed the limits of a piece of machinery. If its ability to do a job, or to do so safely is in question – **DON'T TRY IT.**



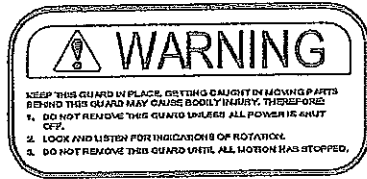
LIGHTING AND MARKING

It is the responsibility of the customer to know the lighting and marking requirements of the local highway authorities and to install and maintain the equipment to provide compliance with the regulations. Add extra lights when transporting at night or during periods of limited visibility.

Lighting kits are available from your dealer or from the manufacturer.

SAFETY DECAL LOCATIONS

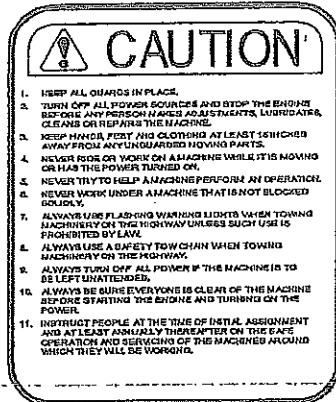
The types of Safety Decals on the equipment are shown below. Their locations are shown in the parts section of this manual. Good safety requires that you familiarize yourself with the various Safety Decals, the type of warning, and the area or particular function related to that area that requires your SAFETY AWARENESS.



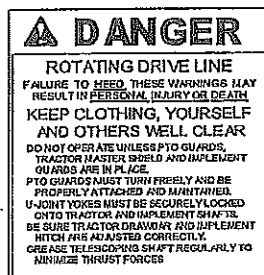
100409



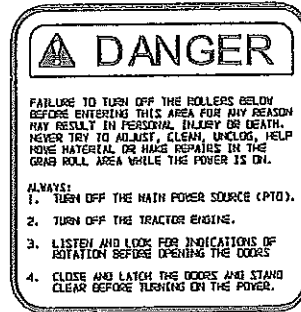
100311



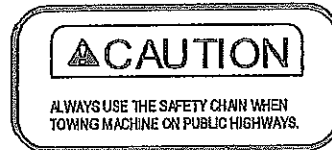
100406



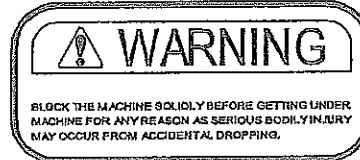
990798



100403



100407



100404



100408



265933



100566

REMEMBER: If Safety Decals have been damaged, removed, become illegible or parts replaced without decals, new decals must be applied. New decals are available from your authorized dealer.



SAFETY DECAL CARE

- Keep safety decals clean and legible at all times.
- Replace safety decals that are missing or have become illegible.
- Replaced parts that displayed a safety decal should also display the current decal.
- Safety decals are available from your Dealer Parts Department or the Manufacturer.

How to Install Safety Decals:

- Be sure that the installation area is clean and dry.
- Decide on the exact position before you remove the backing paper.
- Remove the smallest portion of the split backing paper.
- Align the decal over the specified area and carefully press the small portion with the exposed sticky backing in place.
- Slowly peel back the remaining paper and carefully smooth the remaining portion of the decal in place.
- Small air pockets can be pierced with a pin and smoothed out using the piece of decal backing paper.



REMEMBER!

Your best assurance against accidents is a careful and responsible operator. If there is any portion of this manual or function you do not understand, contact your local authorized dealer or the manufacturer.



BEFORE OPERATING:

- Carefully study and understand this manual.
- Do not wear loose-fitting clothing, which may catch in moving parts.
- Always wear protective clothing and substantial shoes.
- Keep wheel lug nuts or bolts tightened to specified torque.
- Assure that all agricultural implement tires are inflated evenly and with the proper pressure.
- Inspect the machine for any loose bolts, worn parts or cracked welds, and make necessary repairs. Follow the maintenance safety instructions included in this manual.
- Be sure that there are no tools lying on or in the machine.
- Do not use the machine until you are sure that the area is clear of people and animals.
- Don't hurry the learning process or take the unit for granted. Ease into it and become familiar with your new equipment.
- Practice operation of the machine and its attachments. Completely familiarize yourself and other operators with its operation before using.



DURING OPERATION:

- **NO PASSENGERS ALLOWED** – Do not allow any passengers to ride on the machine at any time.
- Keep hands and clothing clear of moving parts.
- Always disengage PTO and shut off engine before:
 1. Leaving Tractor Seat
 2. Lubricating
 3. Cleaning the machine
 4. Adjusting the machine
- Disengage PTO when turning at the end of a field.
- Always keep safety shields in place.
- Always use adequate lights or safety warnings when transporting machine on public roads and after dark. Check with your local law enforcement agencies for specific requirements.
- Limit towing speed to 20 mph.
- Never stand behind or to the right side of the machine while it is running.
- Always engage PTO drive slowly.
- Before transporting the machine, install an SMV emblem.



FOLLOWING OPERATION:

- Following operation, or when unhitching, stop the tractor, set the brakes, disengage the PTO, shut off the engine and remove the ignition keys
- Store the unit in an area away from human activity
- Do not permit children to play on or around the stored unit
- Make sure all parked machines are on a hard, level surface and engage all safety devices



HIGHWAY AND TRANSPORT OPERATIONS:

- Adopt safe driving practices:

Always drive at a safe speed relative to local conditions and ensure that your speed is low enough for an emergency to stop to be safe and secure. Keep speed to a minimum

Reduce speed prior to turns to avoid the risk of overturning



Highway and Transport Operations Cont....

Always keep the tractor in gear to provide engine braking when going downhill. Do not coast
Do not drink and drive!

- Comply with state and local laws governing highway safety and movement of farm machinery on public roads
- Use approved accessory lighting flags and necessary warning devices to protect operators of other vehicles on the highway, during daylight and nighttime transport, in accordance with State Department of Transportation specifications. Various safety lights and devices are available from your Dealer
- The use of flashing amber lights is acceptable in most localities. However, some localities prohibit their use. Local laws should be checked for all highway lighting and marking requirements
- Be a safe and courteous driver. Always yield to oncoming traffic in all situations, including narrow bridges, intersections, etc
- Be observant of bridge loading ratings. Do not cross bridges rated lower than the gross weight at which you are operating
- Watch for obstructions overhead and to the side while transporting

Always operate equipment in a position to provide maximum visibility at all times.



PERFORMING MAINTENANCE:

- Good maintenance is your responsibility. Poor maintenance is an invitation to trouble.
- Always disengage PTO and shut off engine before:
 1. Leaving Tractor Seat
 2. Lubricating
 3. Cleaning the machine
 4. Adjusting the machine
- Always block wheels before working on or under the machine.
- Before working under a hydraulically supported assembly, block it securely or lower it to lowest position.
- Use extreme caution when making adjustments.
- When disconnecting hydraulic lines, shut off the pump and relieve all hydraulic pressure.
- Never use your hands to locate a hydraulic leak. Use a small piece of cardboard or wood. Hydraulic fluid escaping under pressure can penetrate the skin.
- Openings in the skin and minor cuts are susceptible to infection from hydraulic fluid. If injured by escaping hydraulic fluid, see a doctor at once. Gangrene can result. Without immediate medical treatment, serious infection and reactions can occur.



Performing Maintenance Cont....

- Replace all shields and guards after servicing and before moving.
- After servicing, be sure all tools, parts and service equipment are removed
- Never replace hex bolts with less than grade five bolts unless otherwise specified. Refer to bolt torque chart for head identification marking
- Where replacement parts are necessary for periodic maintenance and servicing, genuine factory replacement parts are recommended to restore your equipment to original specifications. The manufacturer will not claim responsibility for use of unapproved parts and/or accessories and other damages as a result of their use
- If equipment has been altered in any way from original design, the manufacturer does not accept any liability for injury or warranty

CUSTOMER AND DEALER CHECK LIST

After the machine has been completely assembled (by the dealer or factory), inspect it thoroughly to be certain it is in operating condition before delivering it to the customer. The following checklist is a reminder of points to inspect. Check off each item as it is found satisfactory or after proper adjustment is made.

PRE-DELIVERY:

- Check all sheave and sprocket hubs to make sure they are tight.
- Check the Browning hubs that hold the grab roll drive shafts to the grab rolls to make sure they are tight.
- Check gearboxes to make sure the oil is at the right level. (NOTE: On some harvesters, there isn't a check plug on the gearbox. Refer to page 36)
- Check all grab roll drive power band belts for proper tightness and sheave alignment. (Refer to page 19)
- Grease lifter wheel hubs. Be sure the hubs are completely full. This may take greasing several times during initial digging startup.
- Check the setting of the lifter wheel scrapers. (Refer to page 13)
- Check the bolts in the splice connections in each belted chain to be sure they are snug. Be sure lock nuts are used with the bolts (**Do Not Use Elastic Stop Nuts!**).
- Grease bearings "very lightly" before delivery. (Refer to page 37)
- The tire pressure can be altered to help level the machine and/or eliminate mud buildup. The right hand side is always the heaviest so tire pressure should be at least 5# more on that side. For field conditions the tire pressure should be no less than 20 PSI. If you are moving a considerable distance, the tire pressure should be no less than 40 PSI (doing so with low pressure could cause damage or a breaking away of the tire bead).
- Check the spacing between the spiraled and smooth grab roll pairs and adjust if necessary. (Refer to page 33-34)
- The setting of the row finder is very important to successful harvesting. Be sure it is set correctly. Final adjustments should be made in the field. (Refer to page 21)
- Certain conditions may warrant changing rear elevator to be in a scrubbing mode (if the available option wasn't installed at the factory). (Refer to page 34)
- Check to see that the machine is level in the harvesting position. (Refer to page 18)

DELIVERY:

- Complete the delivery and Warranty Registration Forms, listing the serial number of the machine
- Have the dealer and customer sign the form. Explain the warranty policy on the Warranty Registration Form, and return it to Parma Company.
- Show the customer how to operate the harvester.
- Explain all adjustments.
- Explain the importance of proper lubrication.
- Give the operator's manual to the customer and ask him to familiarize himself with all sections of it.

AFTER EACH SEASON:

- With the machine running, observe operation of moving parts. Watch for faulty operation, overheated bearings and unusual sounds.
- Before storage, thoroughly clean the machine, lubricate thoroughly, and all drive belts and belted chain should adjusted to a relaxed position.
- Machines with belted chain should be stored under cover if possible for maximum life.

WARRANTY POLICY

PARMA COMPANY warrants to each purchaser from an authorized dealer of new equipment manufactured by PARMA COMPANY, that such equipment is, at the time of delivery to such purchaser, free from defects in material and workmanship under normal use, if serviced in accordance with the recommendations of the Operator's Manual. All PARMA COMPANY'S *harvesting equipment products* are warranted for 120 days from the first day of use or 800 acres, whichever occurs first. All PARMA COMPANY *soil preparation products* are warranted for 120 days from first day of use or 1600 acres, whichever occurs first. All PARMA COMPANY *water and waste pump products* are warranted for one year from date of purchase. ALL PARMA COMPANY *forage products* are warranted for one year from date of purchase. Warranty on defective parts purchased by PARMA COMPANY or produced by other manufacturers for PARMA COMPANY may be allowed only after the approval of the vendor or manufacturer.

PARMA COMPANY'S obligation under this warranty is limited to repairing, or at it's option, replacing any part, that in PARMA COMPANY'S judgment, proved defective. Under the terms of the warranty, PARMA COMPANY assumes no responsibility for labor or travel costs involved in removal of defective parts, of installation of new parts, or of any shop supplies or service charges.

All warranty claims are to be initiated through the authorized PARMA COMPANY dealer and must be submitted within 30 days of the date of failure. PARMA COMPANY may ask for defective parts to be returned to the factory; therefore, hold all warranty claim parts until advised if the parts are needed by your dealer.

To make the warranty effective, the owner's Warranty Registration Form must be on file at PARMA COMPANY, Parma, Idaho at the time of receipt of the warranty claim.

DISCLAIMER OF ALL OTHER WARRANTIES AND CONSEQUENTIAL DAMAGES

THE FOREGOING IS IN LIEU OF ALL OTHER WARRANTIES, WHETHER EXPRESSED OR IMPLIED, INCLUDING ANY IMPLIED WARRANTY OF MERCHANTABILITY OR FITNESS FOR A PARTICULAR PURPOSE, AND THERE ARE NO WARRANTIES, WHICH EXTEND BEYOND THE DESCRIPTION OF THE PRODUCTS. THE LIABILITY OF PARMA COMPANY IS EXPRESSLY LIMITED TO REPAIRING, OR AT ITS OPTION, REPLACING ANY PART THAT IS RETURNED, TRANSPORTATION PREPAID, TO PARMA COMPANY, PARMA, IDAHO, THAT IN PARMA'S JUDGEMENT PROVED DEFECTIVE DURING THE WARRANTY PERIOD. NO REPRESENTATIVE OF PARMA COMPANY, NO DEALER OR DEALER'S REPRESENTATIVE OR ANY OTHER PERSON HAS AUTHORITY TO WAIVE, ALTER, VARY OR ADD TO THE TERMS HEREOF WITHOUT PRIOR APPROVAL IN WRITING SIGNED BY AN OFFICER OF PARMA COMPANY. PARMA COMPANY WILL NOT BE LIABLE FOR ANY OTHER EXPENSE, INJURY, LOSS OR DAMAGE WHETHER DIRECT OR CONSEQUENTIAL, ARISING IN CONNECTION WITH THE SALE OR USE OF OR INABILITY TO USE, ANY PRODUCT OF THE COMPANY FOR ANY PURPOSE.

FACTORY TOW AWAY

Harvester setup for tow away from the factory is available to the dealer. Depending on varying highway restrictions, the harvester discharge boom and draper chain may have to be removed from the harvester.

The front tongue requires a tractor-style draw bar or a special towing ring, which is available through PARMA COMPANY or can be furnished by the dealer.

The harvester as set up for towing is not field ready and the dealer will have to perform the final adjustments and test run as indicated on pages 17 through 20.

Warning: Implement tires are not rated for towing at highway speeds. The maximum towing speed is 20 mph. If the towing distance is greater than approximately 15 miles, the implement tires should be replaced with appropriate road tires. PARMA COMPANY will not assume any responsibility or liability for any damage done or accidents that occur while towing PARMA equipment. **Tow at your own risk!**

UNLOADING THE MACHINE

When the harvesters are shipped by truck, most of the component parts are either attached to the basic frame assembly, or bundled into the holding tank. Some exceptions to this may be the tongue assembly, rear carrier wheel option, and draper chain. Unloading of the machine from the truck will require two forklifts rated at 10,000 lbs. lift minimum.

Caution: Use extreme care in lifting the machine from the truck, or personal injury and/or damage to the machine may occur. Keep the forklifts as close to the machine as possible when lifting. See Figure (1) for proper lifting method.



SAFETY.... YOU CAN LIVE WITH IT!

LIFTING POINTS

Figure (1) shows an example of the forklift positions to unload the machine.

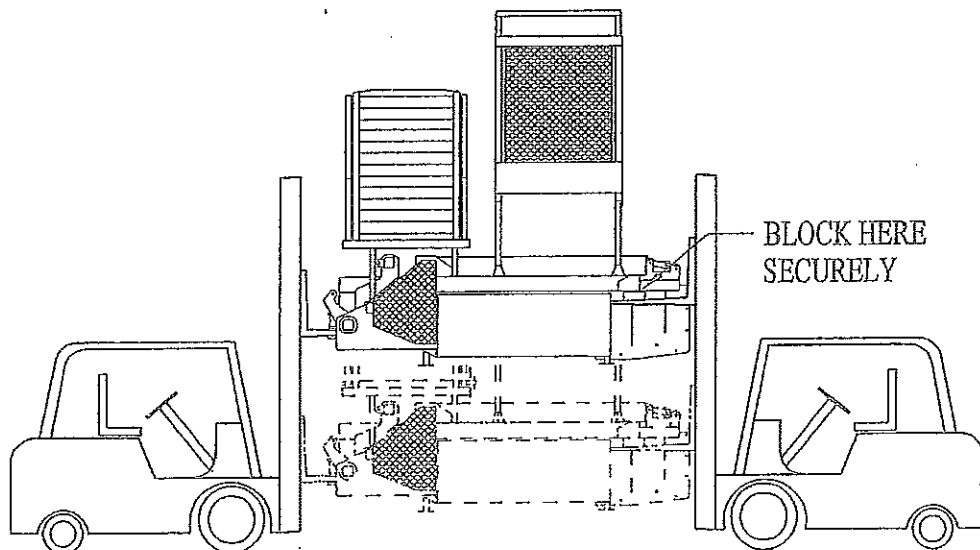


FIGURE 1

SETUP INSTRUCTIONS

Figure (2) displays the various shipping bundles and parts and their approximate positions when being assembled to the machine. The following steps will help guide you through the assembly process.

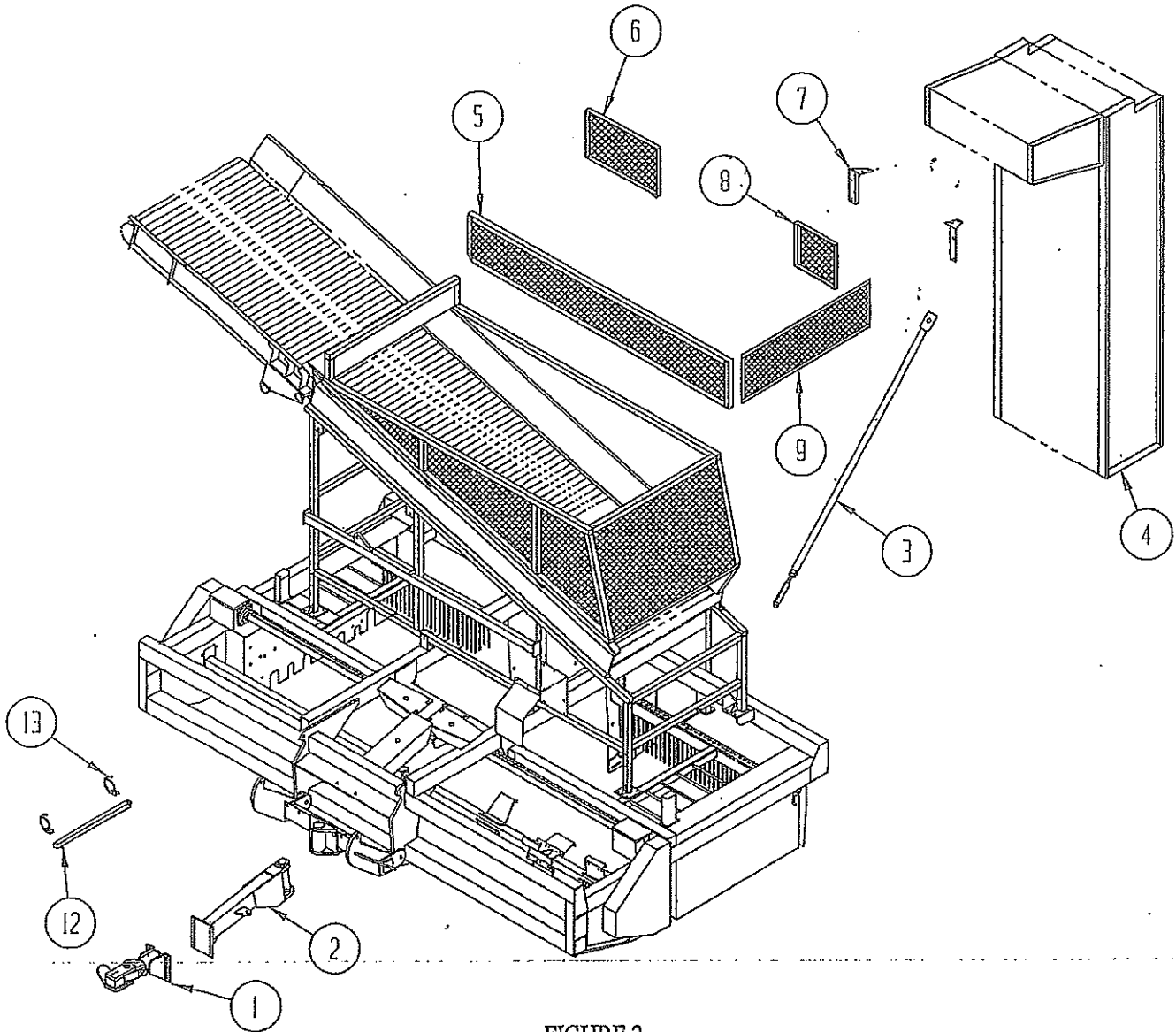


FIGURE 2

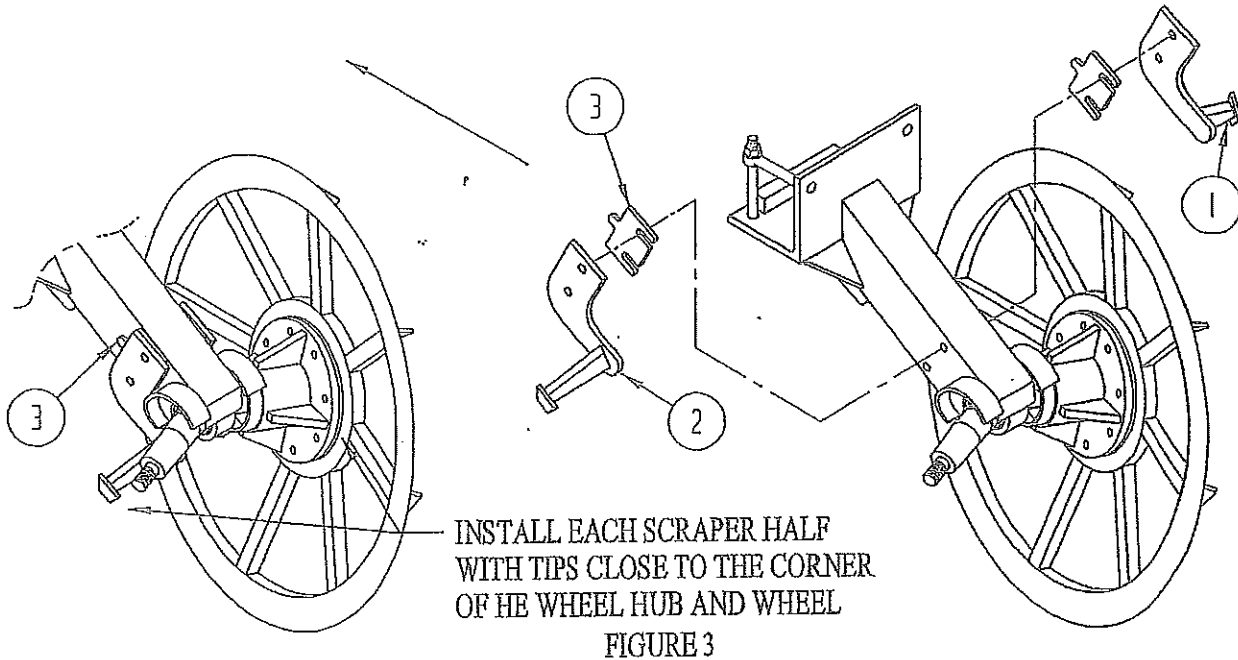
Step 1: Install the rear carrier wheel option using (8) $\frac{3}{4}$ eyebolts and (8) $\frac{3}{4}$ x $8 \frac{1}{2}$ hex cap screws with hex nuts and lock washers. Refer to carrier wheel and lifter wheel spacing diagram page 20. Refer to page 18 for important leveling information.

Remove all shipping stands and place blocks under the left and right front corners of the main frame. The blocks should be high enough to allow clearance to install the lifter wheels.

Step 2: Install all lifter wheels and the desired amount of wheel spacers using $\frac{1}{2}$ x 3 hex bolts, hex nuts, and lock washers furnished. (See page 17 for additional information on pinch point width adjustment.) For rock cushion option installation, see instructions enclosed with option.

Setup Continued:

Step 3: Install lifter wheel scrapers using (2) 1/2 x 4 1/2 hex bolts, hex nuts, lock washers and shims furnished as shown in Figure 3. Install with the tips of the scrapers, items #2 & #3, close to the corner of the wheel hub and wheel. Add or remove shims, item #3 as necessary. Tighten securely.



Step 4: Important!! The rear elevator frame assembly may have shifted during shipment and may be out of square. Be sure to cross measure both the vertical and top panels to be sure they are square with each other before assembling the belted chain. To straighten, loosen all the spreader bar bolts while the unit is setting on a level/straight surface. Re-tighten bolts after adjustments are made. Install the belted chain on the inside and outside of the rear elevator prior to installing the elevator. It is easier to install the chain if the elevator frame is turned so the backside is up and away from the floor.

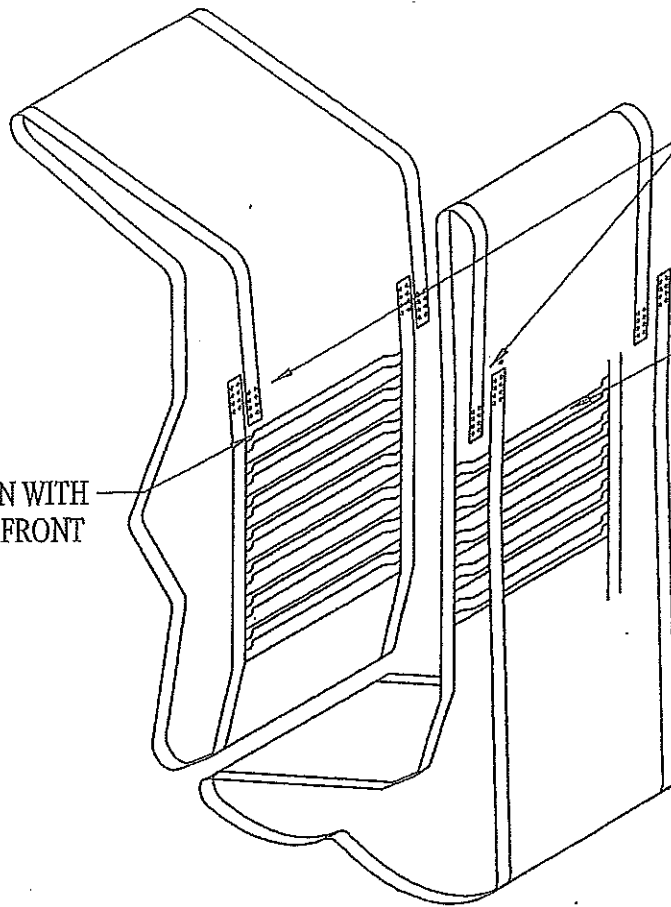
Install the rear belted chain so the offset rods are to the rear. Install the front chain so the offset rods are to the front. The chain will come cut to the proper length and shouldn't have to be modified. It is critical that the belts are installed with the overlap in the direction shown in Figure (4). See page #15 for more instructions after the elevator is installed.

Step 5: With the use of a fork lift or other suitable means of lifting, lift the rear elevator into place and attach lower support angles (Item #5, Figure 2) to main frame using (8) 5/8 x 3 hex bolts, nuts, lock & flat washers. Do not completely tighten the nuts at this time.

Step 6: Attach the top elevator mounting brackets (Item #7, Figure 2) to the hopper and then bolt the elevator discharge panels to these brackets. Now, after re-checking to be sure the elevator frame is still square, tighten all bolts and nuts securely.

Step 7: Wrap the lower end of the rear belted chain around the rollers as shown in Figure #5, pg. 14, or the decal on the side elevator panel. Attach the ends of the belts along with the chain rods and backing clamps furnished, being sure that the overlap connection is in the direction illustrated in Figure 4. Tighten the lock nuts on the bolts until they are snug and secure. Be sure lock nuts are used with the bolts (Do Not Use Elastic Stop Nuts!).

INSTALL FRONT CHAIN WITH
OFFSET RODS TO THE FRONT



CRITICAL!! ASSEMBLE THE
BELTED CHAINS WITH THE
OVERLAP IN THE DIRECTION
AS SHOWN

INSTALL REAR CHAIN WITH
OFFSET RODS TO THE REAR

FIGURE 4

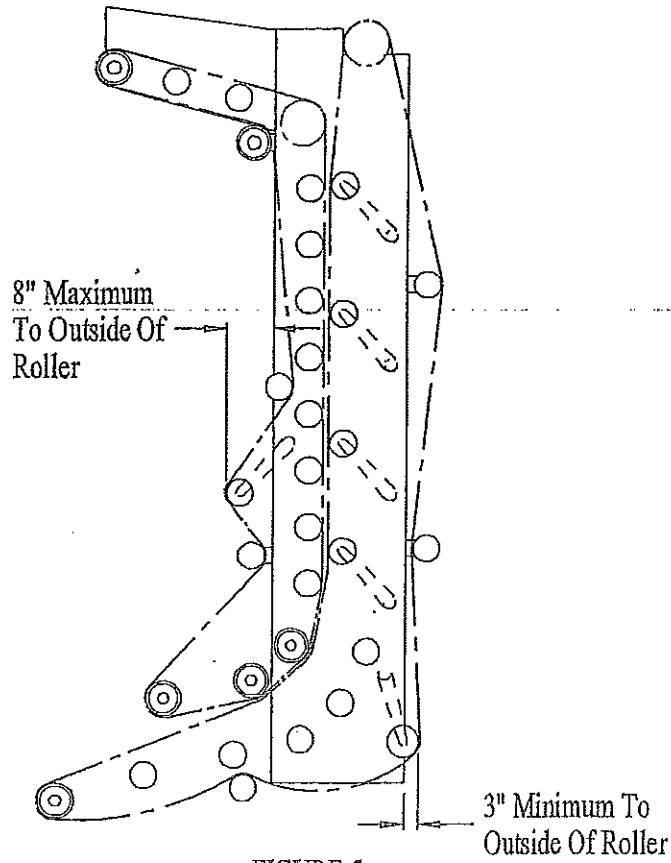


FIGURE 5
14

Setup Continued:

Double-check the spacing between the rollers in the elevator. There should be approximately 3/16"-1/4" clearance between the outside edge of the rollers and the inside of each belt. Adjust by adding or removing washers as necessary.

Install all hugger springs as shown in figure #6. Be sure to adjust the tightener arm stops as shown in Figure #6. This will keep the rods in the belted chain from catching each other when the chain is in the scrubbing mode.

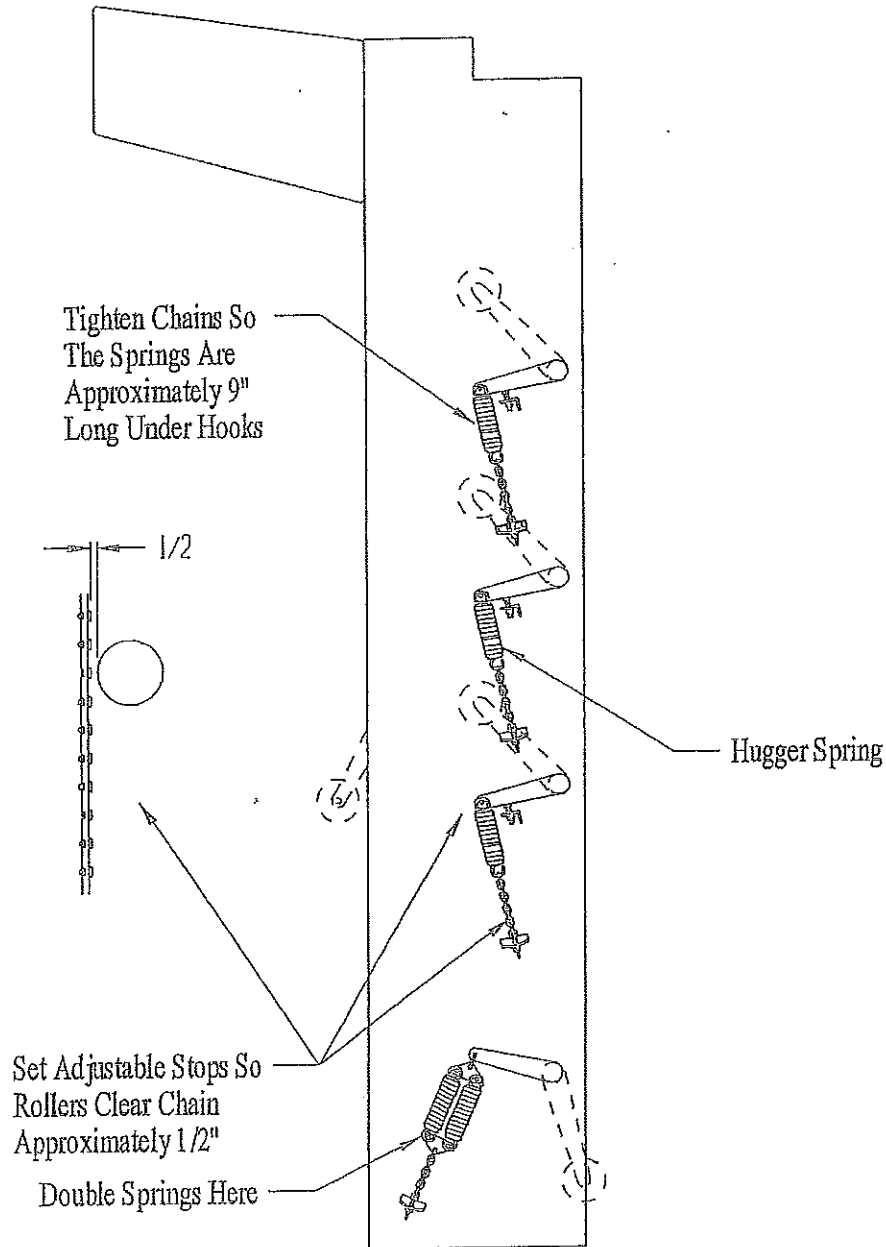


FIGURE 6

Setup continued:

Step 8: Install the support rod assembly (Item #3, Figure 2.) on the right hand side of the frame using (2) 5/8 x 1 3/4 hex bolts, hex nuts and lock washers.

Step 9: Install all hopper railings (Items #5, #6, #7 & #8, Figure 2).

Step 10: Install the tongue assembly (Item #2, Figure 2) and the heavy-duty swivel hitch

Step 11: Install the hose holder and hose rings to the front of the machine. See Figure 7 for proper positioning.

Step 12: Connect all hydraulic hoses and check fittings for tightness. Be sure the pressure line from the tractor is connected to the "P" port of the harvester valve bank or the system will not work properly.

Note: The optional solenoid valve bank used on the harvester is furnished from the factory set for closed center tractor hydraulic systems. To convert the valve bank for use with open center hydraulic systems, remove the long screw located on the unloader valve (the end valve on the RH side as viewed from the front of the machine) and replace it with the short screw located in the body of the same valve. Be sure to place the long screw in its place for possible future use. See pages 23 & 24 for use of open/closed center hydraulics with the row finder.

These previous steps will complete the assembly of the basic machine. For two way steering instructions, see page 31.

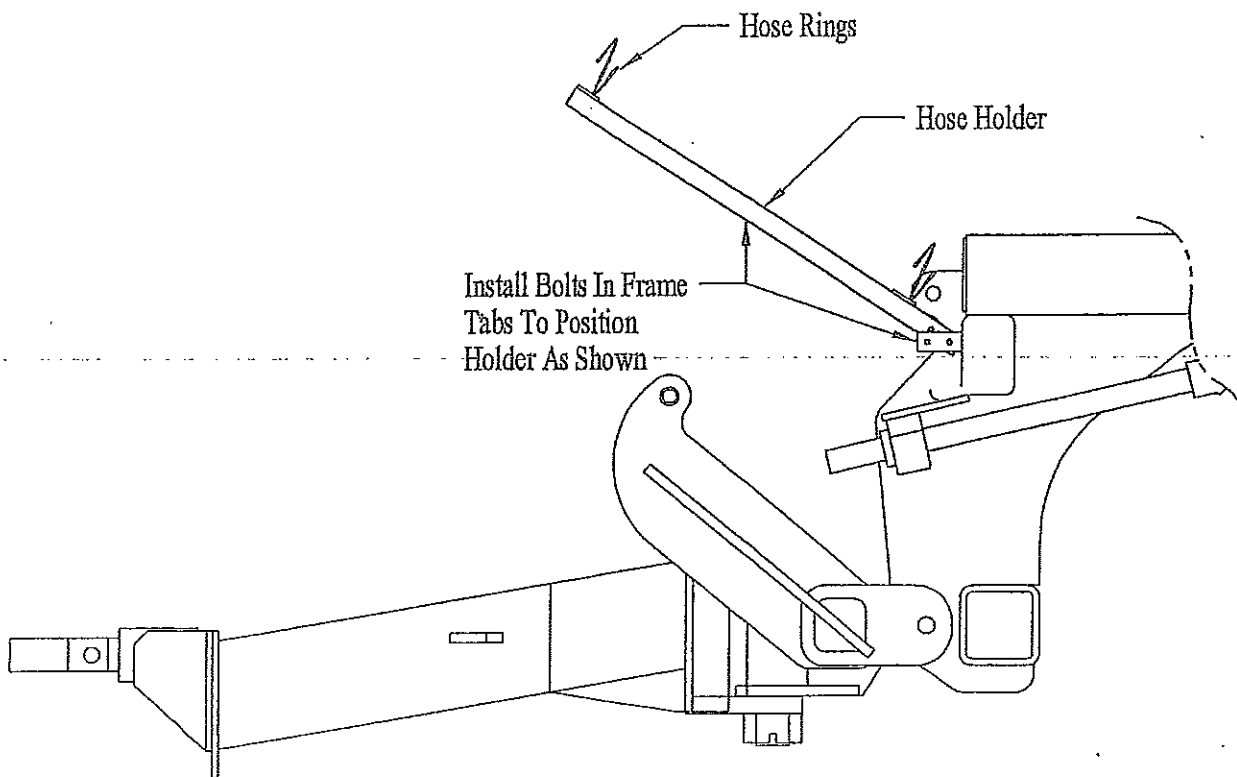


FIGURE 7

FINAL ADJUSTMENTS AND TEST RUN

CHECK THE ELECTRICAL CIRCUITS:

Check by operating control switches on switch box. If any problems are present, refer to electrical diagram on page 33.

INSTALL THE PTO DRIVE LINE (and connect to 1000 RPM tractor PTO).



WARNING! Measure the length of the PTO drive line after installation. The operating length range is 60" min - 70" max on the standard PTO and 60" min - 65" max on the constant velocity PTO. Adjust the tractor draw bar if necessary.

CHECK LIFTER WHEEL PINCH POINTS:

The lifter wheel pinch point width and accuracy of the row spacing between the lifter wheel struts can be a major cause of beet breakage and amount of dirt being lifted into the harvester. Figure #8 shows the desirable way to check spacings to help assure the best performance in lifting of beets without breakage. It is most important that all the pinch point widths on the harvester be the same within 1/4". Refer to page 32 for additional information.

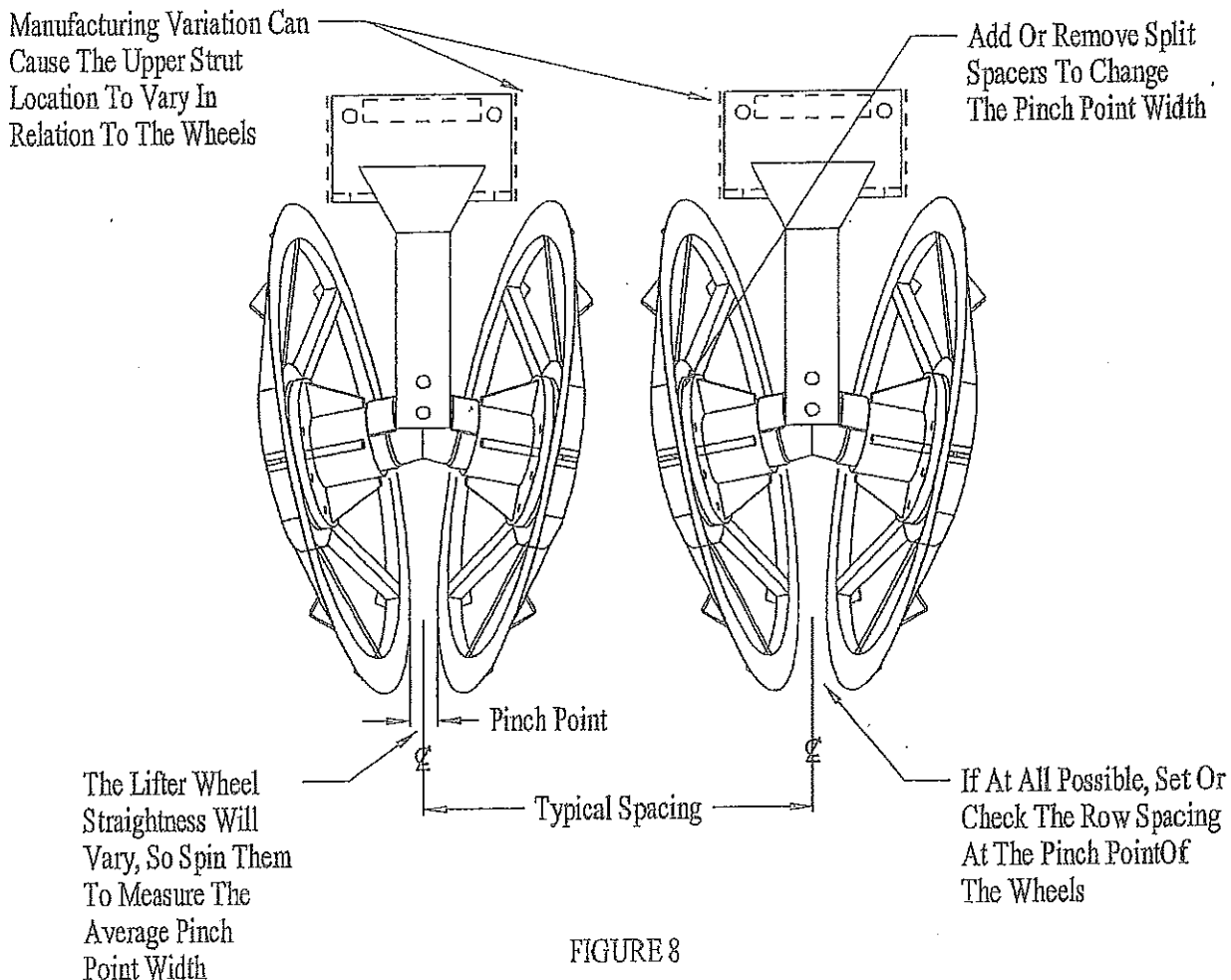


FIGURE 8

WHEEL TRACKING (steerable rear wheels only):

In addition to being sure that the rear steerable wheels are set at the proper spacing, we have found that in some conditions, if some toe-in is set on both sides, the harvester will track better (Figure #9).

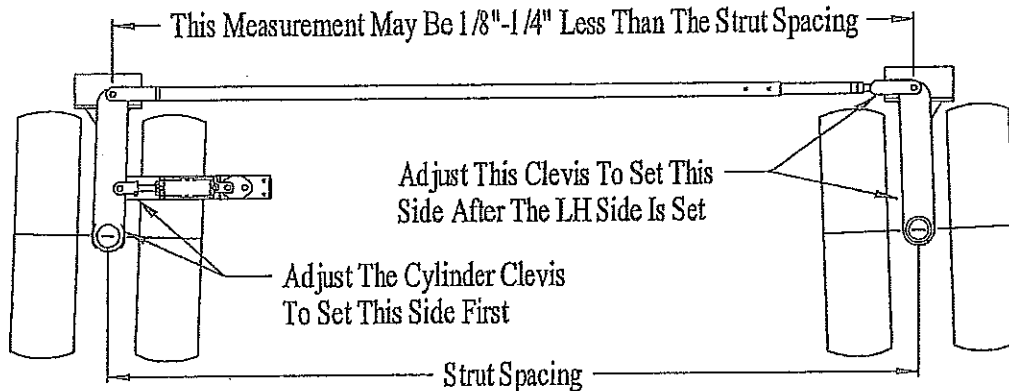


FIGURE 9

MACHINE TO BE LEVEL:

It is important that the harvester is approximately level front to back during the digging operation. The Final adjustment may have to be necessary after the machine gets to the field to accomplish this, however, a good rule of thumb is: For flat dry land furrows with non steerable wheels, use the lowest rear wheel position. For deeper irrigated furrows with steerable wheels, use a mid-range wheel position. Refer to Figure #10 for additional explanation. Note that in some conditions, the RH (heavy) side of the harvester may have to be adjusted slightly higher than the LH side to compensate for soft ground, muddy conditions, or other ground level differences.

If the Pintle hook hitch option is used, be sure the ring portion attached to the tongue slopes up rather than down or the safety latch on the hook will be damaged.

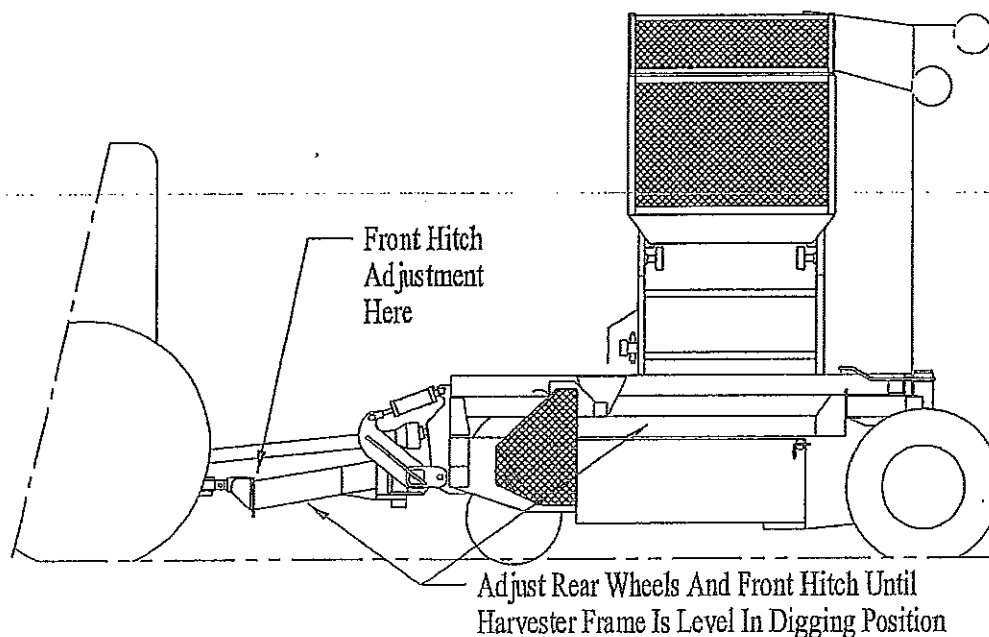


FIGURE 10

DRY RUN THE HARVESTER:

Run the machine for 20-30 minutes to allow the drive belts, roller chains, and draper chains to "seat in". When the run-in is complete, readjust all drives and check for possible misaligned sprockets or sheaves. Check the hopper and rear elevator draper chains for correct alignment and if hook style chain is used, recheck the positions of the tightener rollers as described in Figure #5 and remove links if necessary.

RE-CHECK THE GRAB ROLL DRIVE TIGHTENERS:

It is important that the spring tighteners on the grab roll drives are adjusted properly. Refer to Figure 11 for instructions. If for any reason, either or both of the power band belts are removed, be sure to adjust the tighteners, dry run the machine for a few seconds and then readjust the tighteners. Failure to do this may cause failure in the belts.

To Tighten the Belts: Back off the lower hex nuts to allow 1"-2" clearance. Then tighten the spring until it's almost fully compressed. Run the drive to see that the belts are seated into the sheave grooves. Retighten the spring until the distance between the coils is approximately the width of a quarter, then retighten the hex nuts.

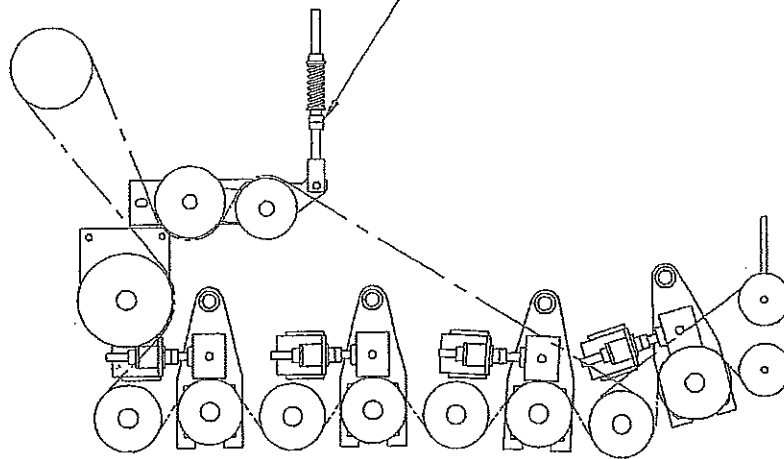


FIGURE 11

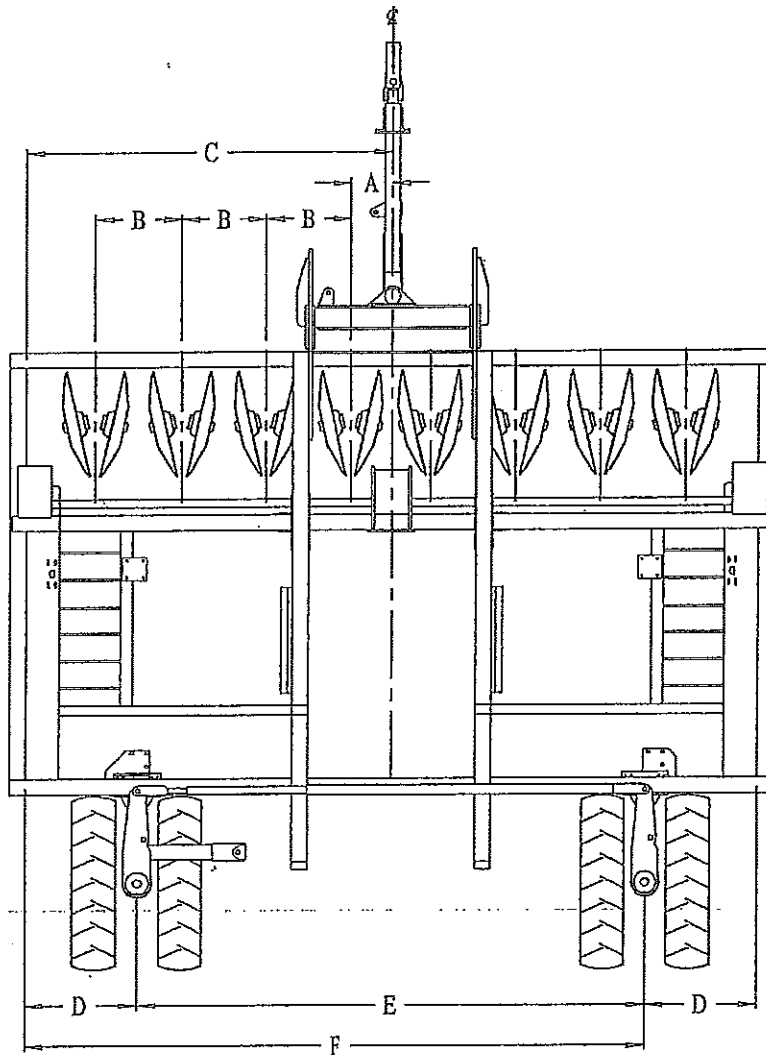
AFTER THE RUN-IN IS COMPLETE

Review all of the lubrication checkpoints listed on the maintenance schedule on page 36 and lubricate the entire harvester according to the item explanations. **Important:** Be sure the slide joint on the PTO driveline is thoroughly greased before the machine is placed in operation. This is often overlooked. Lack of grease in this area may cause premature failure in the joints and possible damage to the tractor PTO.

Optional Rock Protection Lifter Wheel Struts and Lifter Wheel Cushions:

If the optional rock protection lifter wheel struts and/ or lifter wheel cushions are installed, check the tightness of the bolts holding all plastic cushions. The bolts should be tightened just enough to securely hold, but compress the cushions very little. The paddle shaft should be adjusted to have at least 2" clearance from the lifter wheels (the distance may vary depending on the condition) and the optional rubber backing paddles should be installed.

CARRIER WHEEL AND LIFTER WHEEL SPACING



****NOTE:** In dry land planting & wet conditions, set one of the carrier wheels into the dug row.

SPACING	A	B	C	D	E	F
6-21"	10 1/2"	21"	72 3/4"	20 1/4"	105"	125 1/4"
6-22"	11"	22"	72 3/4"	17 3/4"	110"	127 3/4"
6-30"	15"	30"	94 3/4"	19 3/4"	150"	169 3/4"
8-22"	11"	22"	94 3/4"	17 3/4"	154"	171 3/4"

OPTIONS SETUP AND ADJUSTMENTS

ROW FINDER OPERATION:

During the operation of the harvester, the row finder, if used, plays the largest single part in keeping the machine on the row and allowing the lifting of beets without breakage. Therefore it is essential that it be set and adjusted correctly, and the operator fully understands its operation. The most preferred location of the row finder is attached to the lifter wheel strut next to the tongue on the side of the harvester nearest where the trucks run. Refer to the illustration in Figure #12, for proper mounting and adjustment.

1. Attach the mounting bracket (Item #1), assembled to the row finder, to the lifter wheel strut mounting bolts.
2. Disconnect the turnbuckle attached to the control valve (Item #2), and adjust the centering springs to have a minimal clearance to the control arm and so the springs are the same length.
3. Move the tension plate (Item #3) until the fins are directly in line with the pinch point of the lifter wheels. Then reattach the turnbuckle. Be sure to adjust it so there is no pressure against the valve spool.
4. The width of the fin tails should be approximately $\frac{1}{2}$ inch wider than the average beet size at ground level. To adjust the width, loosen the fin mounting bolts (Item #4) and add washers to the inside of the lower or upper bolts as required.
5. Using the up/down adjusting nuts (Item #5), move the fin tails to have approximately 4 inches of ground contact. More contact than that may cause the control of the row finder to be erratic. The adjusting bolt on the mounting frame (Item #7) may have to be turned up or down to provide ground clearance for the correct fin tail angle.
6. Adjust the down pressure on the fins with the spring adjustment (Item #6) just enough to eliminate fin bouncing.
7. Grease the pivot shaft that the fins are attached to thoroughly to insure free movement of the fins.

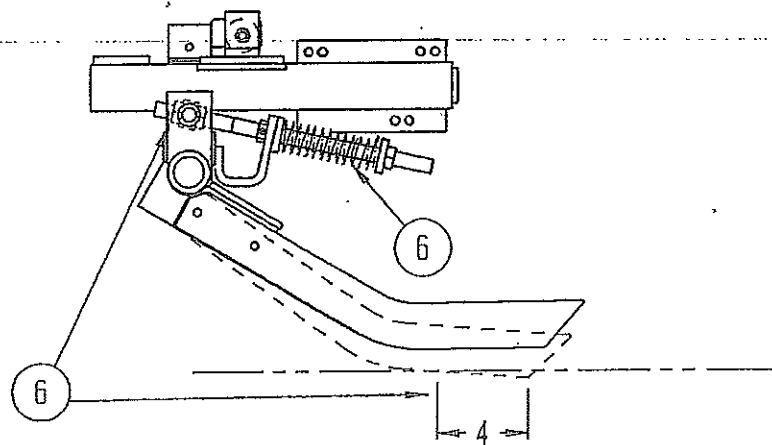
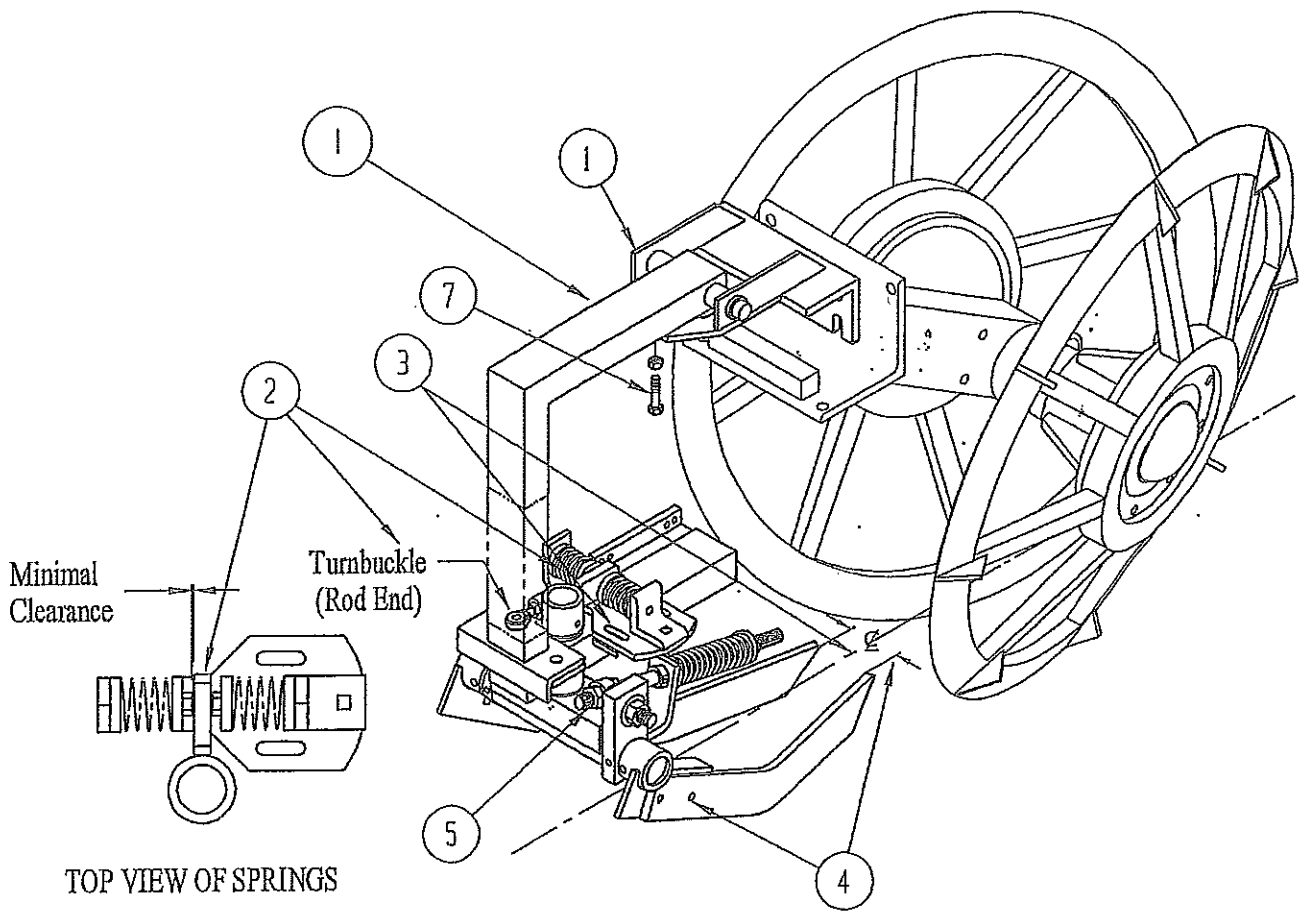


FIGURE 12

ROW FINDER HYDRAULICS:

1. The row finder valve will work for both open and closed center hydraulic systems. The valve is furnished for use with closed center hydraulics. To convert to open center, remove the 3/8" socket hex head pipe plug from the port in the outlet port (Figure 13, Item #1). To convert back to closed center, reinstall the same plug to the port that it was taken from. See page 24 for row finder plumbing, open or closed center hydraulics.

2. The hydraulic valve on the row finder has had the internal pressure relief preset at 1500 PSI. On most tractors, the hydraulic pressure is 2000 PSI or above. If you experience a squealing sound in the valve (pressure bypass) adjust the valve pressure relief until the squealing sound stops. Adjust the relief pressure by removing the acorn nut (Figure 13, Item 2), and turning the adjusting screw. Turn the screw clockwise to increase the pressure and counter clockwise to decrease the pressure.

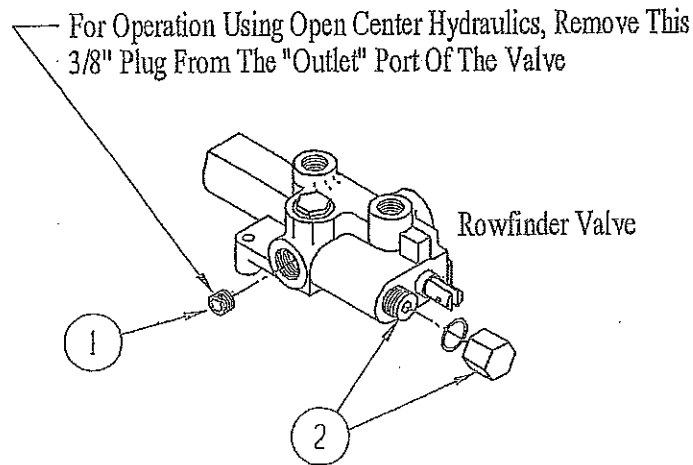
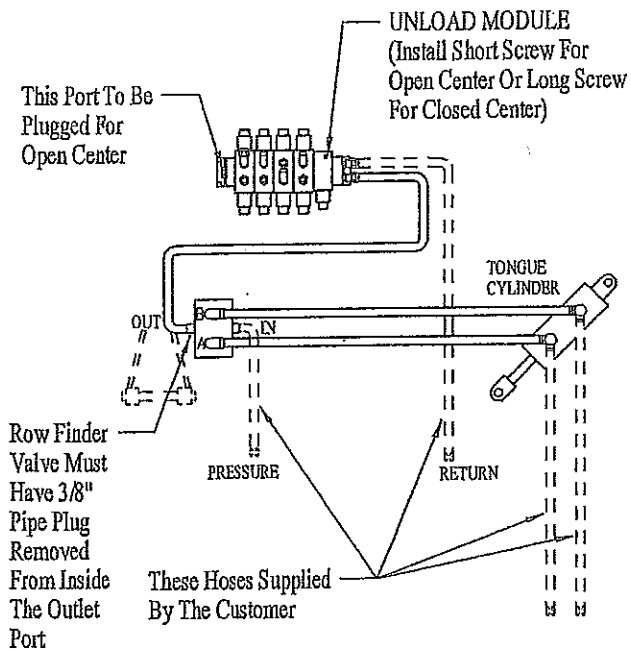
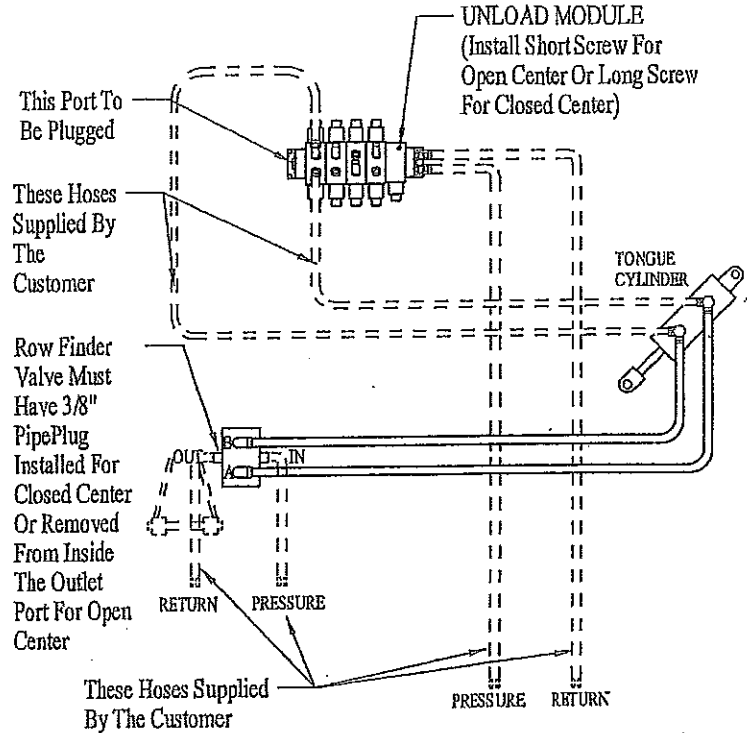


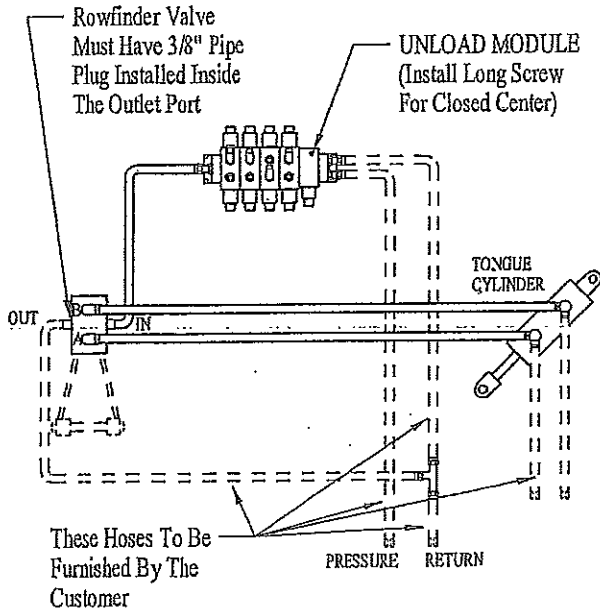
FIGURE 13



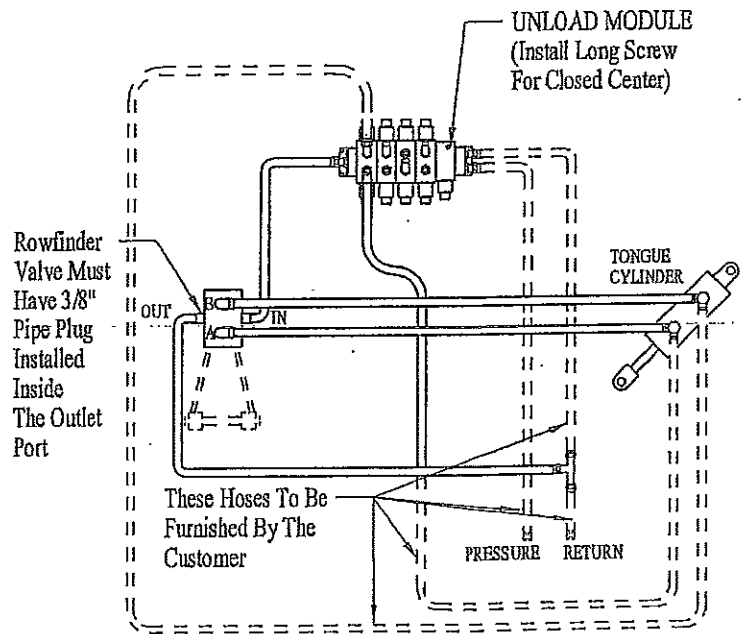
OPEN CENTER HYDRAULICS
PLUMBING USING TRACTOR VALVE OVERRIDE



OPEN & CLOSED CENTER HYDRAULICS
(Plumbing Using Tractor Power Beyond And Valve Bank Override)



CLOSED CENTER HYDRAULICS
(Plumbing Using Tractor Valve Override)



CLOSED CENTER HYDRAULICS
(Plumbing Using Valve Bank Override)

ROW FINDER HYDRAULIC PLUMBING

HYDRAULIC SYSTEM

Front Control Valve Bank:

The valve bank is an optional item that can operate all the hydraulic cylinders on the harvester. The amount of valves required will depend on the harvester model and the amount of hydraulic outlets available from the tractor.

It is a unit made of precision parts and four things can affect its performance most commonly:

1. Oil flow from the tractor is in excess of the capacity of the valves and causes the valve spools to float and malfunction. The maximum flow allowable through the valves is 21 G.P.M. Most tractors provide in excess of 20 G.P.M. so check the flow prior to operation. Backpressure, due to excess flow, against some tractor systems can cause malfunctioning in the secondary remote outlets.

In most cases the harvester lift cylinders are connected to the priority remote, and valve bank should be connected to the secondary remote on the tractor. If the steering cylinder (or row finder override) is connected directly to the tractor, it should be connected to the secondary remote and the valve bank to the third remote.

2. Oil from the tractor can flow through the valve bank in only one direction without causing a malfunction. The valve ports are marked with "P" for pressure and "T" for tank. It is important that the lines from the tractor are connected correctly.

3. The valve bank is set for open center hydraulics but the tractor system is closed center. Some tractors have systems that are advertised to be useable as both open and closed which may cause problems. The dealer and farmer should be aware of the limitations of the tractor system and how the harvester needs to be plumbed before going to the field.

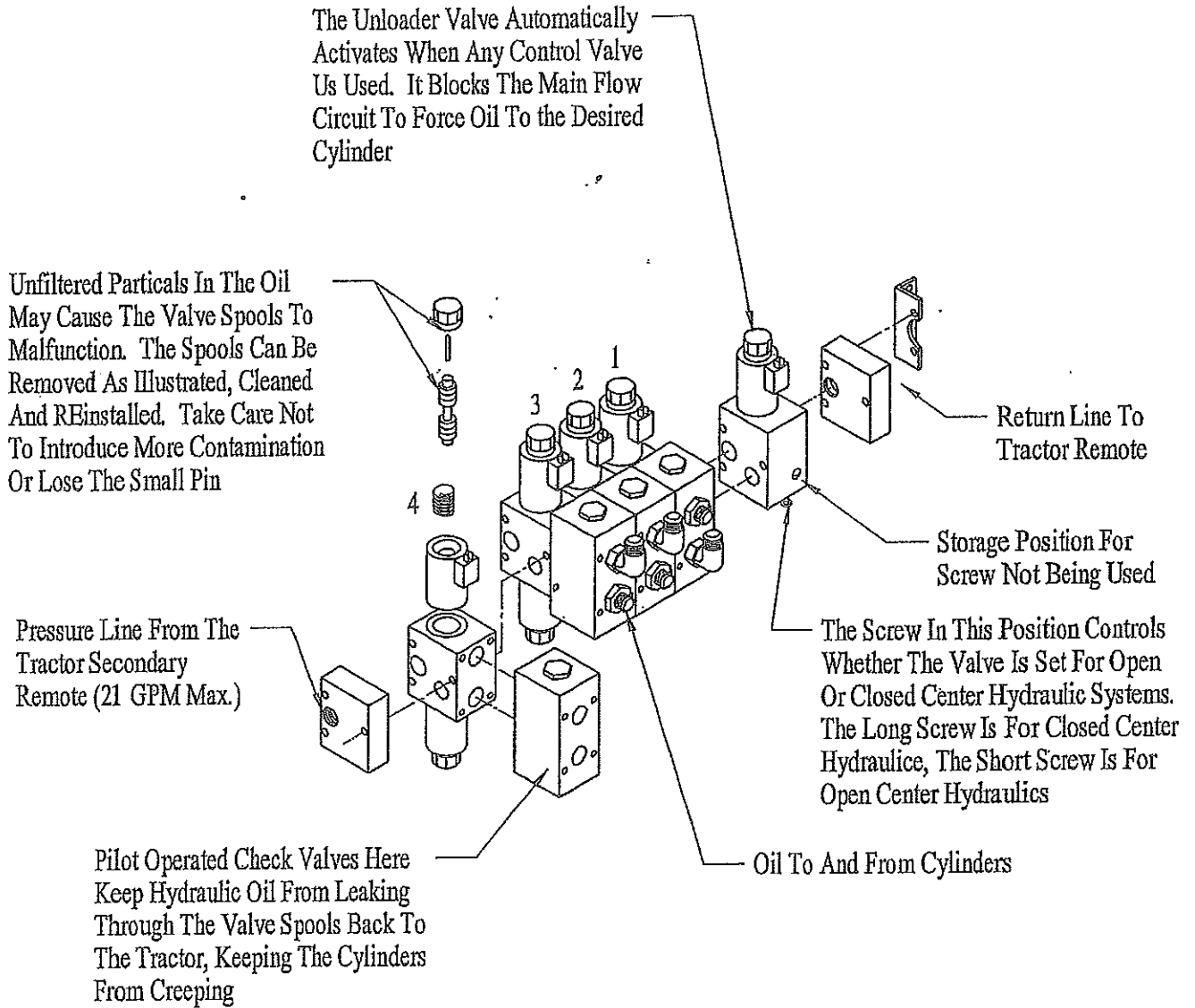
4. Dirt contamination in the oil (even the smallest speck sometimes) can cause the spools to stick.

The next page shows illustrations and notes of and about the valve bank. Review it and even highlight some of the important items such as:

1. Pressure and return ports.
2. Location of screws that allow the valve to operate with open or closed center tractor hydraulic systems.

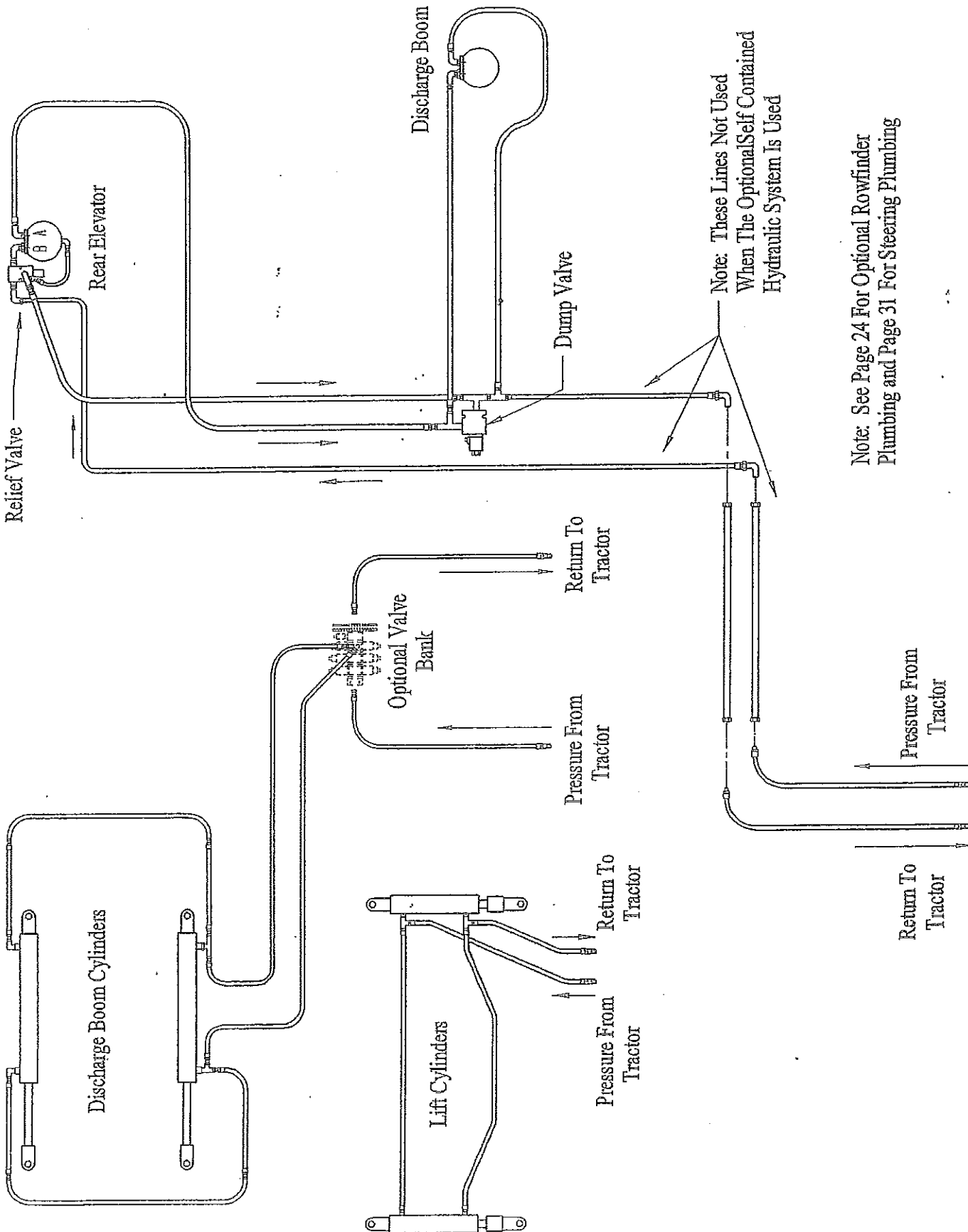
3. Removal and reassembly of the valve spool. Don't forget the small pin, which can be lost easily.

4. Oil cleanliness.



STANDARD VALVE FUNCTIONS		<u>REMEMBER:</u> Oil Flow Rate In Excess Of 21 GPM And Oil Contamination Are The Primary Causes For Valve Malfunction TURN THE FLOW DOWN! KEEP THE OIL CLEAN!
VALVE		
4	ROWFINDER	
3	STEERING	
2	STEERING	
1	BOOM	

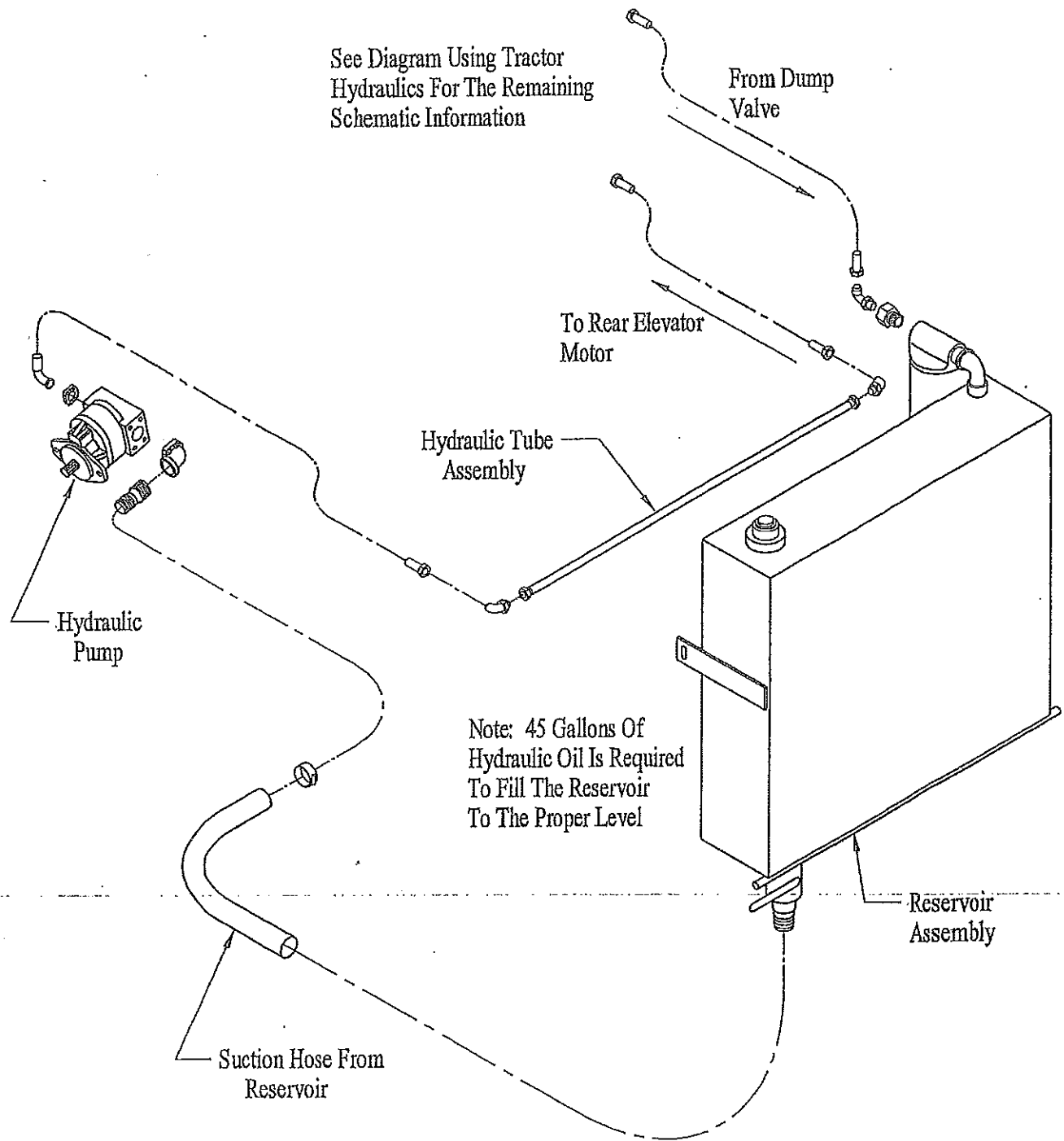
FRONT VALVE BANK OPERATION



Note: These Lines Not Used
When The Optional Self Contained
Hydraulic System Is Used

Note: See Page 24 For Optional Rowfinder
Plumbing and Page 31 For Steering Plumbing

HYDRAULIC DIAGRAM USING TRACTOR HYDRAULICS



HYDRAULIC DIAGRAM, SELF-CONTAINED OPTION

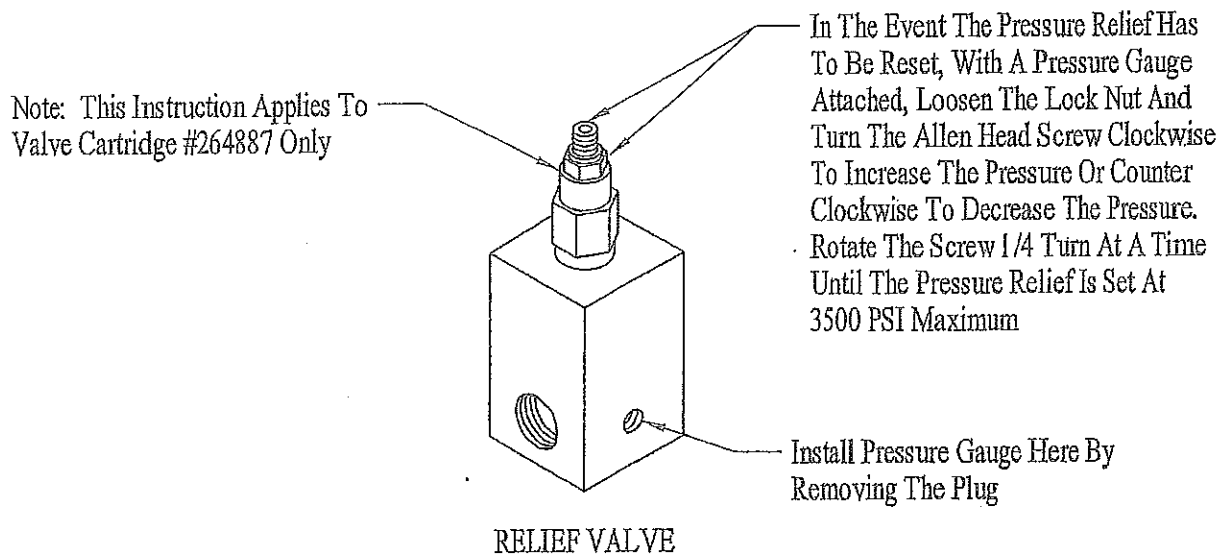
HYDRAULIC SYSTEM RELIEF VALVES:

The relief valves in the harvester hydraulic system is normally set to 3500 PSI from the factory. Periodically, we have found one that is not and would be set at 1000-2000 PSI. In most cases, when this happens, the valve has to be reset for the harvester to operate correctly. The illustration below shows how to do that.

Be aware that the valve has the capability of reaching 6000-PSI relief pressure and it is crucial that caution be taken, if readjustment is required, that the setting not exceed 3500 PSI or damage may occur to the hydraulic components. The purpose for the difference between the 3500-PSI recommended setting and the 6000-PSI maximum capability is to prevent damage to the relief valves when pressure spikes occur due to occasional rock jamming in the harvester.

One clockwise turn of the adjusting screw increases the pressure by 1200 PSI. If a pressure gauge is not available, and the valve has to be reset, turn the adjusting screw clockwise until the snap ring on the screw contacts the lock nut. The pressure at this setting will be 6000 PSI. (Caution: DO NOT FORCE THE SCREW INTO OR PAST THE RETAINING SNAP RING). At this position, turn the adjusting screw counter clockwise 2 1/2 turns. The pressure setting at this position will be approximately 3000 PSI, which will be adequate for 90% of the conditions.

NOTE: the above information applies only to Sun brand Relief Valve Cartridges #RPGC-JCN (Parma Part Number 264887).



PUMP AND MOTOR PERFORMANCE:

If a hydraulic motor unexpectedly slows down or operates substantially slower under heavy load (extreme digging conditions) it may be caused by several conditions:

1. The relief valve pressure setting is too low
2. The relief valve is defective.
3. The harvesting conditions are causing loads against the system that are exceeding its capabilities
4. The motor is defective
5. The pump is defective

Pump and motor performance continued:

The cause of the problem can be found easily by following these steps:

1. With a pressure gauge installed in the appropriate port shown on the previous page, the hydraulic circuit can be "stalled" by disconnecting the motor discharge hose at the reservoir end. Look at the oil dripping out of the motor. If it has metallic substance in it, the motor is likely excessively worn and may have to be replaced.
2. Cap the hose, then very slowly engage the tractor PTO and read the pressure setting on the gauge. If the reading is at 3500 PSI, or the relief valve can be adjusted to get that reading, then the system is OK and likely the harvesting conditions are causing excess loads above the rated capacity of the system. If you cannot adjust the pressure with the valve screw as shown on the previous page to the proper setting, then one of the components in the circuit may be defective or worn. In most cases the relief valve is the problem.
3. Replace the valve cartridge and check the pressure again. If it cannot be adjusted to the proper level, then either the motor or the pump is bad.
4. Reconnect the hose and disconnect the hose at the inlet side of the motor. Again cap the hose, and very slowly engage the tractor PTO and read the pressure setting on the gauge. If the reading is OK, the pump is good and the motor is excessively worn or defective.
5. If the pressure is low the pump section is excessively worn or defective. In past history, the pump is seldom bad.

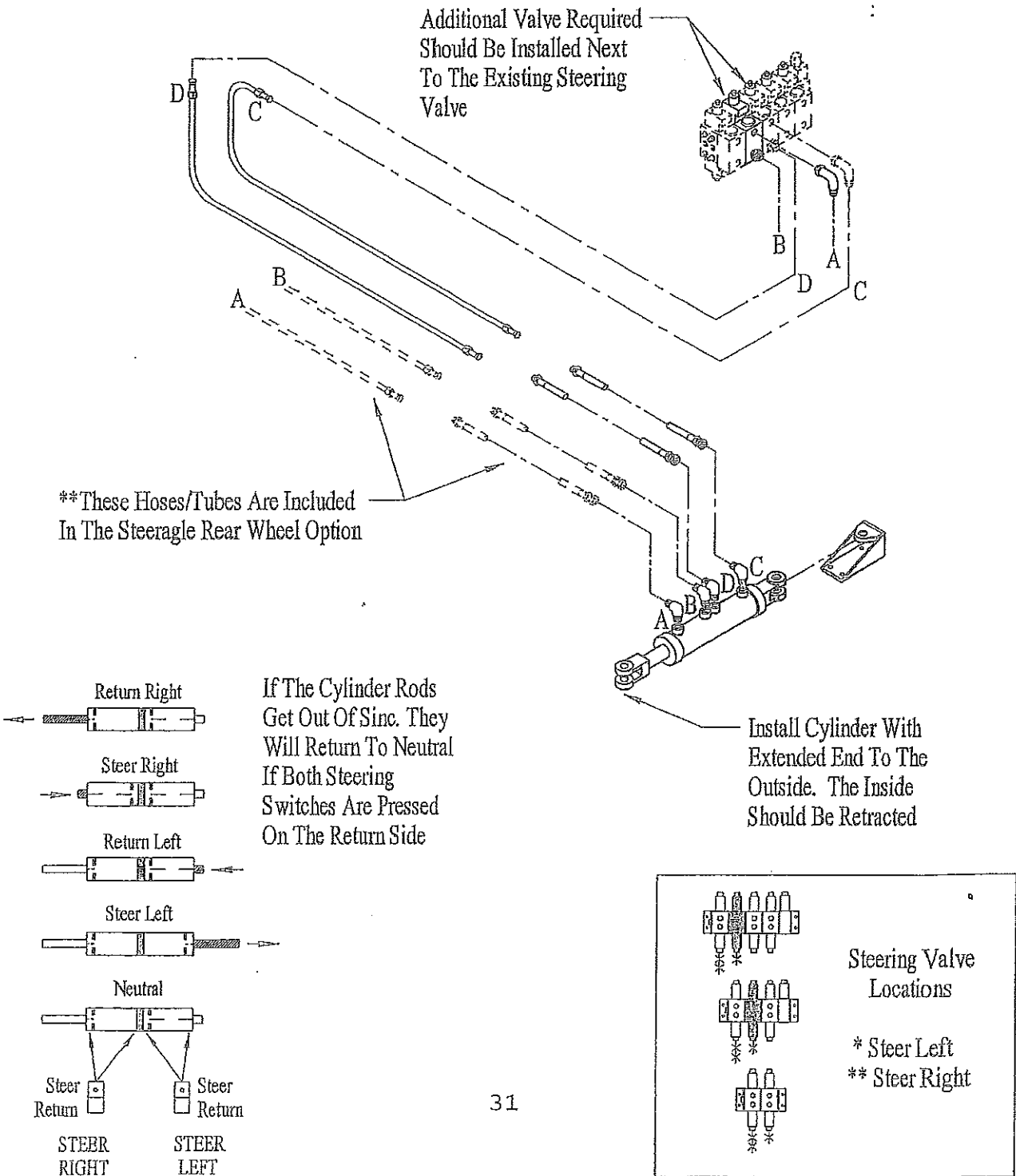
It is possible that contaminated oil, or oil at an extremely low level, may have caused the problem, so before you run the harvester again, please check it and replace the oil filter as well as the oil if necessary.

REAR CARRIER WHEEL RETURN TO STRAIGHT:

Rear harvester steering on the harvester can be either one-way or two-way steering. When two-way steering is desired, the return to straight option is recommended. A simple double rod cylinder control is operated through the front valve blank by two switches on the switch box in the tractor.

Connect the hoses furnished from the front valve bank tubes to the cylinder. Note: The hoses can also be connected directly to one of the tractor outlets if preferred and the tractor has the outlets available, but the required hoses will have to be furnished by the customer. If this is done, two valve banks on the harvester will not be required.

For correct operation, the cylinder must have the outside clevis rod fully extended and the inside clevis rod fully compressed when the carrier wheels are straight. One clevis is adjustable for making fine alignment adjustments. See illustration below.



FIELD ADJUSTMENTS

Tractor PTO, RPM and Horsepower Requirements:

It is important that our customers understand that the shaft speeds of the harvester (that has been determined to be correct for the best harvesting operation) requires the tractor PTO to run at a full 1000 RPM or what is considered tractor "PTO speed." If the PTO is not operated at 1000 RPM, beet spillage in front of the grab rolls, potential harvester plugging, and excessive power consumption may occur.

It is also important to understand that if the tractor is underpowered and engine RPM is allowed to drop, resulting in slower PTO speed, the same problems may occur. The recommended minimum PTO horsepower for the 6-Row Harvesters is 150 HP minimum and the 8-Row Harvesters is 180 HP minimum.

Lifter Wheel Pinch Point Width and Digging Depth:

As assembled at the factory, the lifter wheel pinch point will be approximately 1¾" with one pair of wheel spacers in each wheel. This spacing with a digging depth of approximately 3½ inches is a good average setting to lift beets with a sufficient amount of soil to keep tail breakage and other beet damage to a minimum.

If possible, a minimum row speed of 4-5 miles per hour should be maintained for best root recovery and minimum spillage on the ground.

Ground conditions and texture vary greatly, and as a result these settings may have to be changed or set differently to obtain optimum performance of the harvester. If the beet tonnage exceeds 25 tons per acre or if the average beets exceed 6" in diameter, extra lifter wheel spacers may have to be installed to keep from breaking tails. If the ground is "heavy gumbo" and/or the average beets are less than 6 inches in diameter, lifter wheel spacers may be removed and the digging depth reduced. This will also greatly reduce the amount of mud being lifted into the machine. Refer to illustration Figure 8, page 17.

Place an appropriate amount of stroke control spacers in the lift cylinders to assure consistent digging depth. Place an equal amount of spacers in each cylinder to ensure even digging depth.

The illustration below shows how the band of dirt being lifted can change as pinch point widths differ. In general, the wider the pinch point is, the deeper the digging depth has to be and the more dirt will be lifted.

Paddle Shaft Height Adjustment:

The factory setting of the paddle shaft (approximately 3/4 inch clearance between the 3" square tubing corners and the lifter wheels) will operate effectively in most conditions. However, in some conditions like heavy mud, very small beets, very large beets, slower or faster ground speed, changes may have to be made. See the following chart for easy reference on change recommendations.

If the optional rock protection struts are used, the paddle shaft should be raised so the lifter wheels don't hit the shaft tube when they flex. Rubber paddle extensions should also be installed when flexible rock struts are used to make up for the raised position of the shaft. Refer to page 20.

The outside paddle shaft bearings are mounted on adjustable bearing plates, which are simple to raise up or down. The drive chain on the left side may have to be lengthened or adjusted as the shaft position changes.

PADDLE SHAFT HEIGHT / SPEED ADJUSTMENT CHECK								
	SPEED	SPEED	TONS	TONS	SIZE	SIZE	MUD	ROCKS
	-3 MPH	+5 MPH	+35	-20	-5"	+8"		
PADDLE HEIGHT	LOWER	-----	RAISE	LOWER	LOWER	RAISE	LOWER	RAISE
PADDLE SPEED	RAISE	----	----	----	LOWER	RAISE	RAISE	----
RUBBER EXTENSIONS	----	----	NO	YES	YES	NO	YES	YES
**PLEASE NOTE THAT THE ABOVE INFORMATION IS INTENDED ONLY FOR POSSIBLE SOLUTIONS TO PROBLEMS AND NOT DEFINITE ANSWERS.								

Machine leveling:

It is important that the machine be level front to back when in digging position. See page 18.

Row finder Adjustment:

See Options Setup and Adjustment on Page 21.

Grab Roll Adjustments:

The grab roll bed plays the single largest part in the cleaning and potential damage of the beets during harvesting. As a result, proper adjustment of the grab rolls is vitally important. If trash and mud removal is not an issue, keep the rolls adjusted so there is approximately 1/4" clearance between the spiral on the large grab roll and the smooth roll. As trash and mud removal become more important, the roll spacing should be widened. Important: As the spacing gets wider,

potential damage to beets and beet loss gets greater, and tractor power requirements become greater. Therefore, while making adjustments, move the smooth roll in small increments until the desired position is obtained. For severe "gumbo" condition, an optional mud flap kit is available to keep the beets on the grab roll longer.

Please note: When beet tops freeze and become ropey and tough, it is important that the beets are properly topped because the harvester "will not" remove the top and potential plugging problems may occur. If this condition exists, keep the grab roll spacing closer. See Figure 14. for adjustment explanation with the standard spring cushion as well as the rock protection spring.

The spacing should be rechecked at the beginning of each season to verify that the setting is OK for the initial ground conditions. Be sure to readjust if necessary through the season as the conditions change.

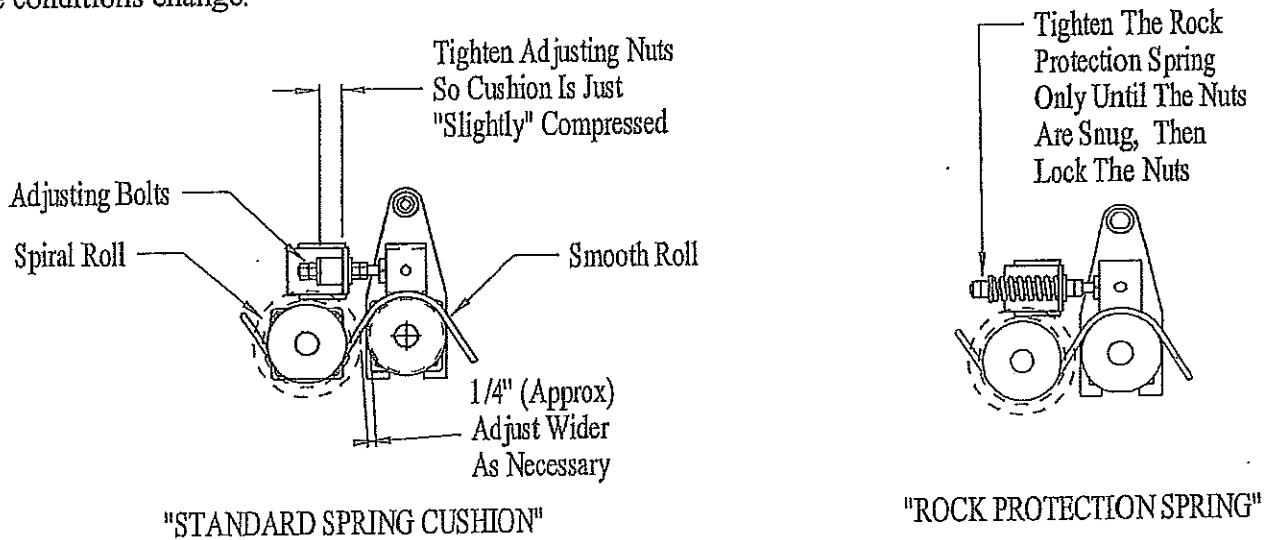


FIGURE 14

Rear Elevator:

The speed of the rear elevator draper chains, can be set to be in a "scrub" mode in extreme mud and heavy ground conditions. The most effective method found so far to accomplish this is to slow down the outside chain by replacing the existing 36-tooth sprocket with a 45-tooth sprocket. See Figure 15.

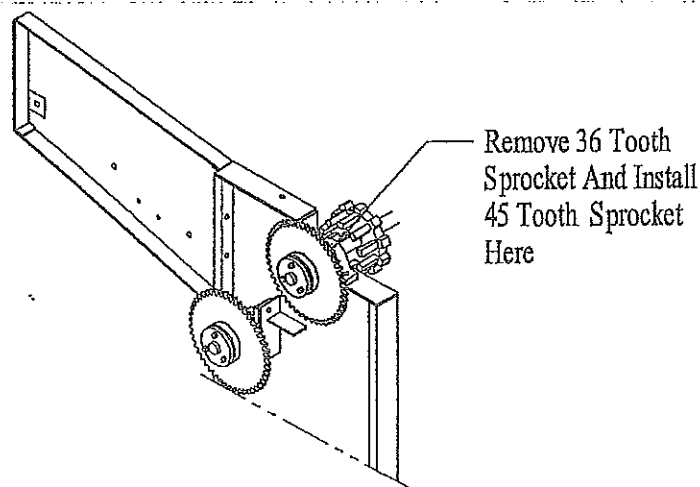


FIGURE 15

Rear Elevator Continued:

The hugger arm springs on the rear elevator can be adjusted in some conditions to help increase the cleaning of the beets. If the tension on the lower two springs is maintained properly, the two top springs can be loosened which will create more of a tumbling action in the beets. Start with adjusting the top spring only. Only Attempt this if conditions are severe enough that the other adjustments aren't effective enough. In higher tonnage or very large beets it is usually best to keep tension on all springs or the beets may stop moving entirely and jam in the elevator. The adjustable stops for the spring arms can also be adjusted to allow some increase in tumbling action in the beets (see page #15).

Beet Delivery From the Grab Rolls to the Rear Elevator:

It is "CRITICAL" that the grab roll spirals not be allowed to wear extensively. It has been proven that, especially in muddy conditions or in terrain that has hills, if the spirals get worn the beets will not feed properly into the elevator and may require the ground speed to be reduced and may eventually cause the beets to pile up and jam on the grab rolls.

The spirals have been hard surfaced by the factory, however you should check the spirals regularly through the season, and if more than 1/8" of the top is worn off the spirals should be built up again with hard surfacing rod.

Loss of Small Beets:

If this is occurring, it can usually be eliminated or greatly reduced by doing or checking the following:

1. Reduce the spacing between the grab rolls.
2. Check the spacing between the elevator draper chain and the last spiraled grab roll. If the spacing is more than 2" adjust it closer by moving the rollers forward. See figure 16.

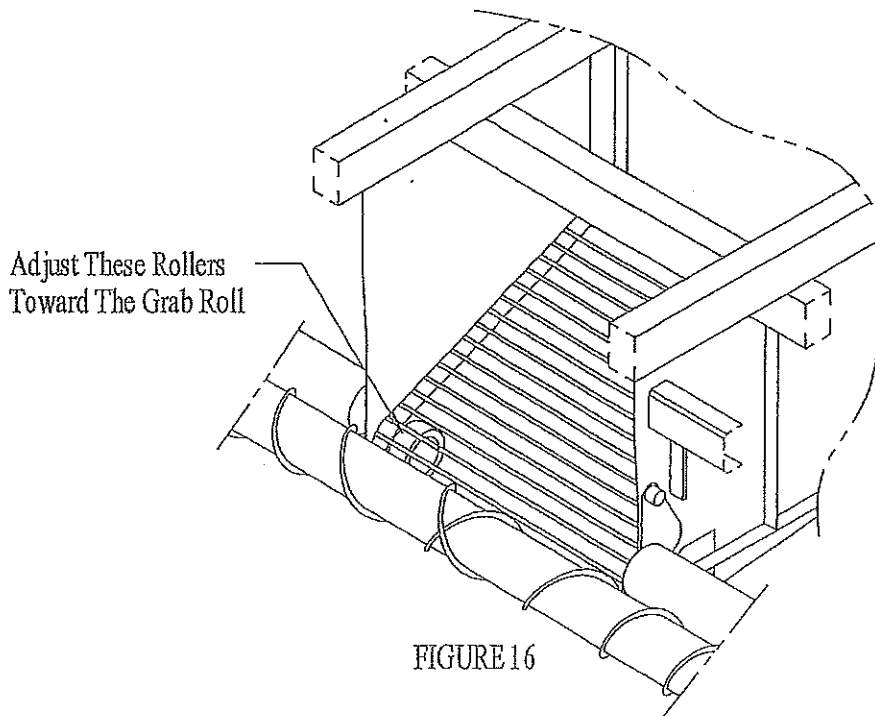


FIGURE 16

MAINTENANCE SCHEDULE

Item	Service	4 Hr	Daily	Weekly	Yearly
1	Gear Box Oil Level			X	X
2	Lifter Wheel bearing Lubrication			X	
3	Roller Bearing Lubrication**				
4	Pillow Block & Flanged Bearing Lubrication**		X	X	
5	Carrier Wheel Bearing Re-pack				X
6	Roller Chain Lubrication		X		
7	Tongue Bushing Lubrication		X		
8	Elevator Drive & Chain Tightener Lubrication		X		
9	Discharge Boom Pivot Lubrication		X		
10	Steering Strut Lubrication		X		
11	PTO Drive Line & Other U-Joint Lubrication		X		
12	Grab Roll Hanger Bracket Lubrication			X	
13	Draper Chain Adjustment / Check		X		
14	Roller Chain Adjustment / Check	X			
15	Grab Roll Drive Belt Tightener Adjustments	X			
16	Elevator Hugger Spring Tension**				
17	Bolt & Nut Tightness Check		X		
18	Row Finder Pivot Shaft		X		

**Refer to corresponding item in maintenance schedule explanation

MAINTENANCE SCHEDULE EXPLANATION

- Item 1: To check the oil level in the main gearbox, remove the pipe plug in the back or side of the housing. The oil level should be at the level of the hole. If it is not, fill through the top hole until oil starts to run out. Use a good grade of 90-weight gear oil. Check for oil leaks daily and replace the oil on a yearly basis.
- Item 2: Check to be sure the lifter wheel hubs are fully packed with grease before initial use of the harvester. Apply grease with a gun until grease is visible coming out of the inner seal. The hubs should be greased on a weekly basis and re-packed with new grease at the beginning or end of each season.

- Item 3: The bearings in the rollers in the elevator, tank, and discharge conveyor are sealed and need not be greased.
- Item 4: The Pillow Block and Flanged bearing units are factory pre-lubricated and, therefore, do not require supplemental grease before service life begins. Re-lubrication, when administered correctly, can increase the life of a bearing substantially. Bearing manufacturers recommend that all these bearings be greased daily to weekly, considering the environmental condition that these harvesters are exposed to. **NOTE: Over lubrication is a major cause of bearing failures. Please re-lubricate conservatively.** When selecting a bearing lubricant, use any lithium-based NLGI #2 grease.
- Item 5: Carrier wheel bearings should be re-packed and the seals replaced at the beginning of each season.
- Item 6: Apply oil to all roller chains daily during operation.
- Item 7: There are two areas of lubrication on the front tongue. One is at the pivot near the harvester (heavy duty swivel hitch) and one is at the pivot near the tractor. Grease these two areas daily.
- Item 8: The chain tightener arms in the elevator have grease points at each end. Grease these daily. Grease each spring loaded roller chain tightener arm daily.
- Item 9: There are two lubrication points at the outside ends of the discharge boom pivot tube. Grease daily.
- Item 10: There are two grease points on each rear steering strut. Grease these daily.
- Item 11: The PTO driveline slip joint must be greased thoroughly prior to initial use and at the beginning of each season. Pull the driveline apart and apply grease by hand on the male shaft then reassemble. During operation, this slide as well as the U-joints on the driveline should be greased daily. The other U-joints mounted on the main gearbox (there are three) should be greased daily.
- Item 12: Grease the hanger bracket pivot points at each end of the smooth grab rolls on a weekly basis.
- Item 13: The lock nuts in the splice connection of the belted chain in the rear elevator and hopper should be checked daily to be sure they are snug and secure. If any need replacing, **Do Not Replace Them With Elastic Stop Nuts.** If they are used, failure may occur causing possible damage to the belted chain and/or machine.
- Item 14: The roller chain drives should be checked for tightness and sprocket alignment. Excessive slack in the chain that is not spring loaded will cause premature wear in the chain and sprockets. Also check spring loaded drives for excessive slack. Remove links as necessary.

- Item 15: Initially the idler arm tightener should be adjusted so the spring is compressed so that there is approximately 1/16" clearance between the coils. (Refer to page 19, Figure 11)
This compressed distance should be maintained. Once the drive belts have been "run in", the belt stretch should be minimal but "Check often" to prevent belt slippage or breakage.
- Item 16: The required tension of the elevator hugger springs may vary according to ground wetness conditions and/or beet size variation and tonnage. If excessive roll back is noticed in the elevator, the springs should be tightened. The bottom tightener arm springs usually play a larger part in solving this problem. In many cases, adjustments made here may be the only ones required. Be careful not to over tighten the upper springs because this can also hinder the beet flow in some conditions. (Refer to page 15, Figure 6 & page 35.)
- Item 17: PARMA COMPANY employees are concerned with the quality of the product they produce. Sometimes, however, improperly tightened bolts may occur. Also, quite often, vibration during initial harvesting operation may cause bolts to loosen. If they are checked after the first few hours of operation and then periodically during the first season, potential problems can be eliminated.
- Item 18: Smooth operation of the Rowfinder is key to keeping the harvester directly on the row at all times. Grease the pivot shaft that the fins are connected to daily, and inspect the pivot to be sure the fins move freely, and there is no excess slop between the pivot shaft and the bushings in the frame.

TROUBLE SHOOTING

SYMPTOM	POSSIBLE CAUSE	POSSIBLE SOLUTION
<p>Harvester not staying on row.</p>	<p>Row finder not operating or adjusted correctly.</p> <p>Rear steering not set properly and harvester is not tracking straight, or rear wheels are not set on correct spacing.</p> <p>Harvesting over a guess row.</p> <p>With some tractor tire spacings, the tongue is offset to the right hand side. The tongue should be straight rather than set on an angle.</p> <p>Lifter wheels not set at correct row spacing.</p>	<p>See row finder adjustments pg. 21 & 22.</p> <p>Straighten steering by adjusting cylinder clevis. If return to straight option is being used, refer to pg. 31 for adjustment. Refer to pg. 20 for row settings, & pg. 18 for wheel tracking.</p> <p>Recount rows and start again.</p> <p>Check and reset if necessary. See page 20 for correct settings.</p> <p>See Lifter Wheel Spacing Chart on pg. 20.</p>
<p>Beet tails are breaking and staying in ground.</p>	<p>Digging depth may be too shallow and/or pinch point width may be too narrow.</p> <p>Refer to "Harvester not staying on row"</p> <p>Lifter wheel spacing not correct</p> <p>Ground is dry and hard.</p> <p>Rear tractor tires too wide, and the beets are being moved.</p>	<p>Change digging depth or add spacers to lifter wheels to widen pinch point or both.</p> <p>Refer to pages 17 & 32.</p> <p>See page 20.</p> <p>Increase digging depth. Irrigate if possible before harvesting</p> <p>Consult your dealer. Change Tires</p>

TROUBLE SHOOTING CONTINUED

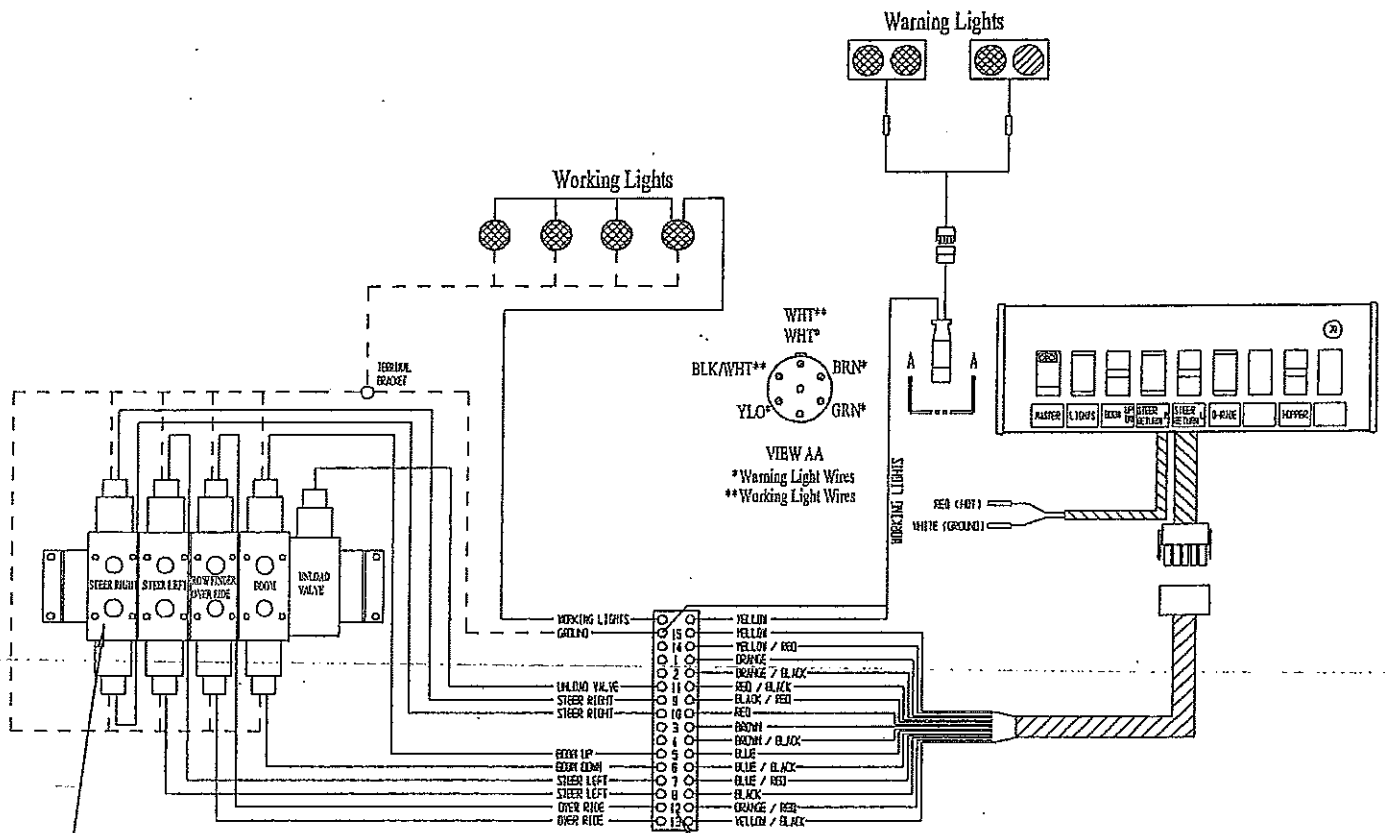
SYMPTOM	POSSIBLE CAUSE	POSSIBLE SOLUTION
<p>Beet tails being lifted, but beets are being broken in or dropped through harvester.</p>	<p>Paddle shaft too high for small beets.</p>	<p>Lower paddle shaft. Install optional rubber paddle extensions. Refer to page 33.</p>
	<p>Small beets falling through lifter wheel spokes.</p>	<p>Increase row speed to 4-5 MPH. Increase digging depth.</p>
	<p>Beets rolling back over lifter wheel hubs.</p>	<p>Check PTO speed (should be 1000 RPM). Decrease row speed to 4-5 MPH. Lower paddle shaft. Install optional rubber paddle extensions.</p>
	<p>Grab roll spacing too wide and beets being broken or pulled through rolls.</p>	<p>Adjust grab roll spacing. See pages 33-34 for instructions.</p>
<p>Solenoid valve bank not operating correctly.</p>	<p>Oil flow from tractor too high</p>	<p>Lower the flow to 21 G.P.M. maximum</p>
	<p>Tractor hydraulics (open / closed) do not match valve bank or row finder setting.</p>	<p>Refer to pages 23-27 for instructions.</p>
	<p>The pressure/ tank ports on the valve bank do not match the pressure/tank ports on the tractor.</p>	<p>Switch the hydraulic lines. "P" & "T" ports are marked on the valve bank.</p>
	<p>Contamination exists in one or more valves or a valve is defective or damaged.</p>	<p>Remove and clean or replace spool in valve, or replace valve. Refer to pages 25 & 26 for instruction.</p>
	<p>Wiring hookup wrong.</p>	<p>Refer to schematic page 42.</p>

TROUBLE SHOOTING CONTINUED

SYMPTOM	POSSIBLE CAUSE	POSSIBLE SOLUTION
<p>Damage to harvester or jamming occurring due to rocks or stones in field.</p>	<p>Rock protection option for lifter wheels, struts, and grab rolls not installed. If rock protection springs are installed on the grab rolls, and problems still occur, adjust the grab rolls closer together.</p>	<p>See your local dealer for available options. <u>Please Be Aware</u> that the available options do not eliminate all problems or damages encountered with harvesting in rocky conditions. They only minimize the problems or damage.</p>
<p>Excess dirt and or tops being loaded into truck.</p>	<p>Digging depth too deep.</p> <p>Grab roll spacing too close.</p> <p>Rear elevator draper chain speeds can be changed to compensate for severe mud conditions.</p> <p>Beet tops not being removed and/or swept from top of row adequately.</p> <p>Grab roll mud flaps not positioned correctly.</p>	<p>Raise machine. If beets start breaking when this happens, pinch point width can be increased to possibly stop the breakage.</p> <p>Adjust grab roll spacing. See pg. 33-34 for instructions.</p> <p>See pg. 34 for changes to obtain "Scrubbing" effect.</p> <p>This is a common problem with many harvesting operations and often overlooked as a cause for excessive tear and/ or plugging problems.</p> <p>Readjust the grab roll mud flaps further forward to keep the beets on the grab rolls longer.</p>

SWITCH BOX 15 POSITION CONNECTOR PIN NUMBERS/COLORS

PIN#	COLOR	FUNCTION	PIN#	COLOR	FUNCTION
1	Orange	Not Used	9	Black/Red	Steer Right
2	Orange/Black	Not Used	10	Red	Steer Right
3	Green	Not Used	11	Red/Black	Unloader Valve
4	Brown/Black	Not Used	12	Orange/Red	Over Ride
5	Blue	Boom Up	13	Yellow/Black	Over Ride
6	Blue/Black	Boom Down	14	Black/White	Not Used
7	Blue/Red	Steer Left	15	Yellow	Ground
8	Black	Steer Left			



Note: When The Return To Straight Steering Is Not Used, This Valve Is Eliminated.

These Numbers Should Correspond With The Pin Number Functions In The Above Chart. The Colors May Vary.

ELECTRICAL DIAGRAM