

# ***PARMA***<sup>®</sup>

---

## **Model 2286 and 2288 Wheel Machine Beet Harvester PARTS BOOK**

---

Manual Number 041112-22862288 Revised 6/20/2013

# ***PARMA COMPANY***

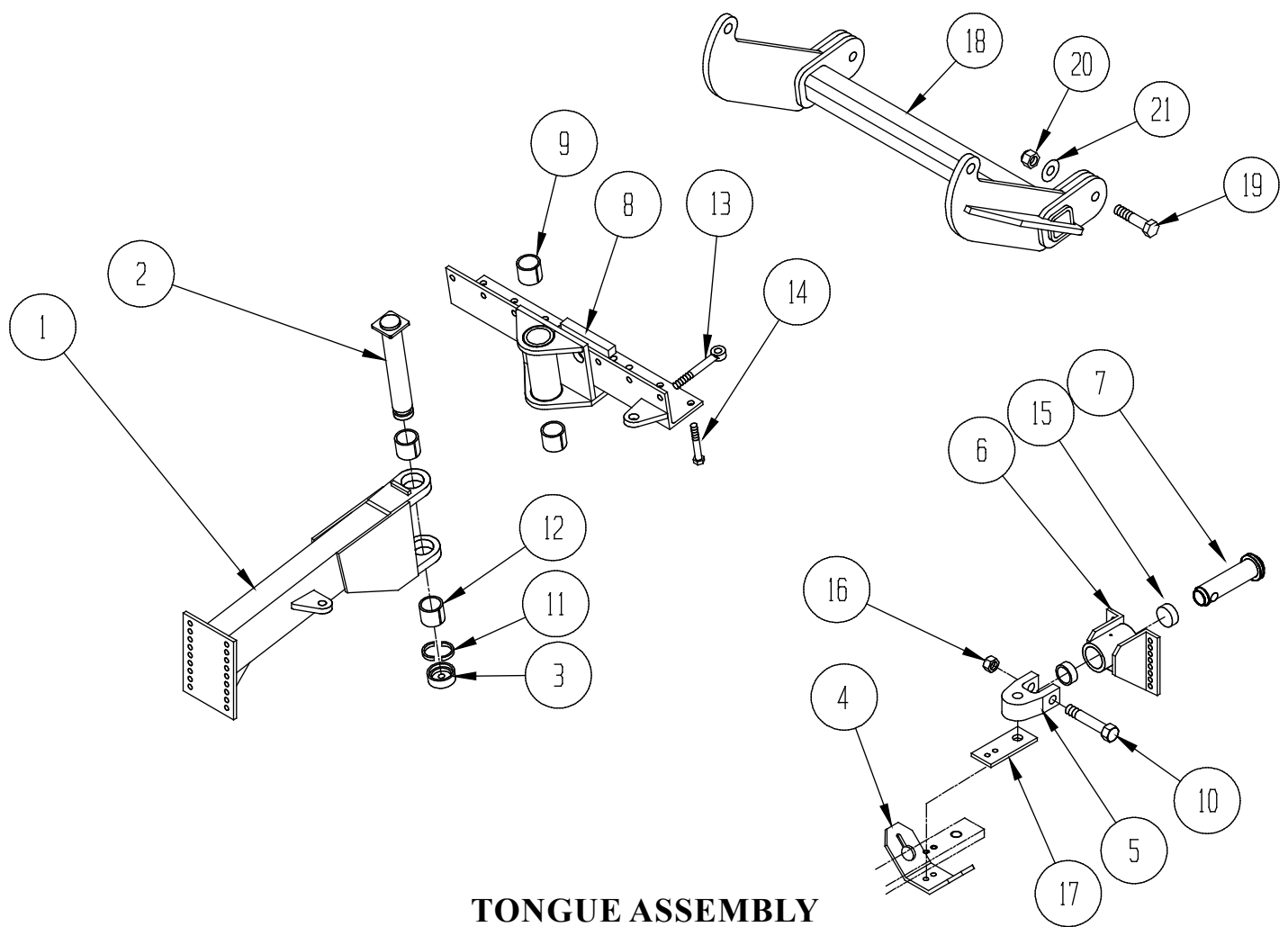
---

P.O. BOX 190  
PARMA, IDAHO 83660  
PHONE (208) 722-5116 FAX (208) 722-6012  
Website: [www.parmacompany.com](http://www.parmacompany.com)



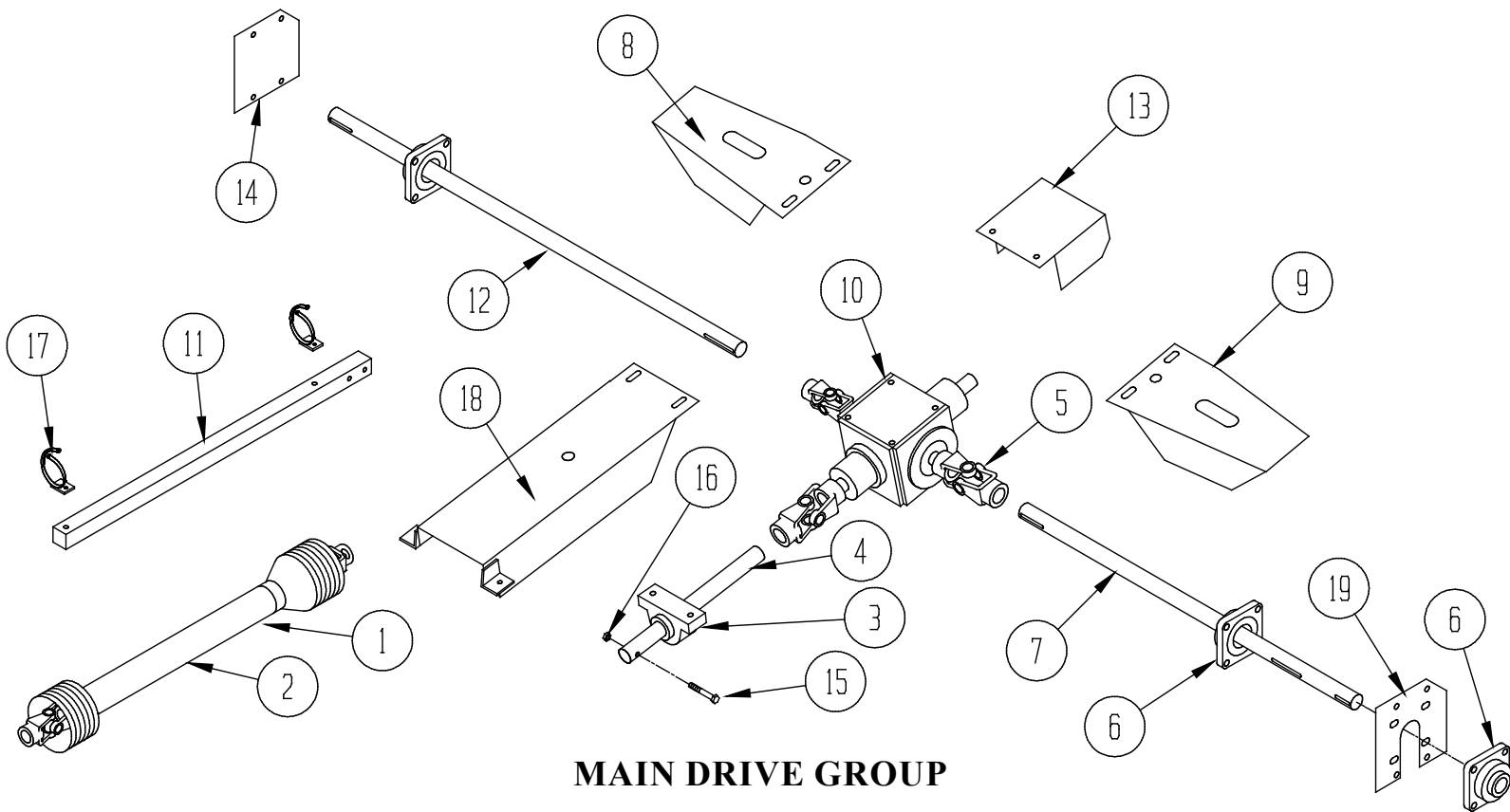
## INDEX

DECAL GROUP.....	47
GRAB ROLL BED ASSEMBLY.....	20
GRAB ROLL BELT DRIVE COMPONENTS .....	18
GRAB ROLL HANGERS & DOORS.....	16
GRAB ROLL MUD FLAPS.....	15
GRAB ROLL ROCK SPRING KIT .....	14
HOPPER ASSEMBLY.....	24
HOPPER MOUNTING & ATTACHMENTS .....	22
HYDRAULIC MANIFOLD ASSEMBLIES .....	41
HYDRAULIC RESERVOIR ASSEMBLY.....	38
HYDRAULIC SCHEMATIC.....	37
HYDRAULIC SCHEMATIC.....	40
LIFTER WHEEL ROCK STRUT ASSEMBLY.....	8
LIFTER WHEEL STANDARD STRUT ASSEMBLY .....	6
LIGHTING KITS.....	42
LOWER CONVEYOR ASSEMBLY.....	25
MAIN DRIVE GROUP .....	2
PADDLE & BAFFLE GROUP, MODEL 2286.....	10
PADDLE & BAFFLE GROUP, MODEL 2288 SERIES.....	12
PTO DRIVE LINE ASSEMBLY, CONSTANT VELOCITY.....	4
PTO DRIVE LINE ASSEMBLY, STANDARD .....	3
RH SIDE CONTAINER & MOUNTING .....	29
ROLLER ARM & MOUNTING ASSEMBLY .....	26
ROLLERS & IDLER SPROCKETS .....	35
ROW FINDER ASSEMBLY .....	44
ROW FINDER HYDRAULICS .....	46
SLIP CLUTCH ASSEMBLY .....	13
STEERABLE REAR WHEELS .....	34
TONGUE ASSEMBLY.....	1
UPPER CONVEYOR ASSEMBLY .....	28
VALVE BANK ASSEMBLY.....	36
WHEEL GUARD & LADDER.....	30
WHEEL & MOUNTING ASSEMBLY .....	32
WIRING SCHEMATIC.....	48



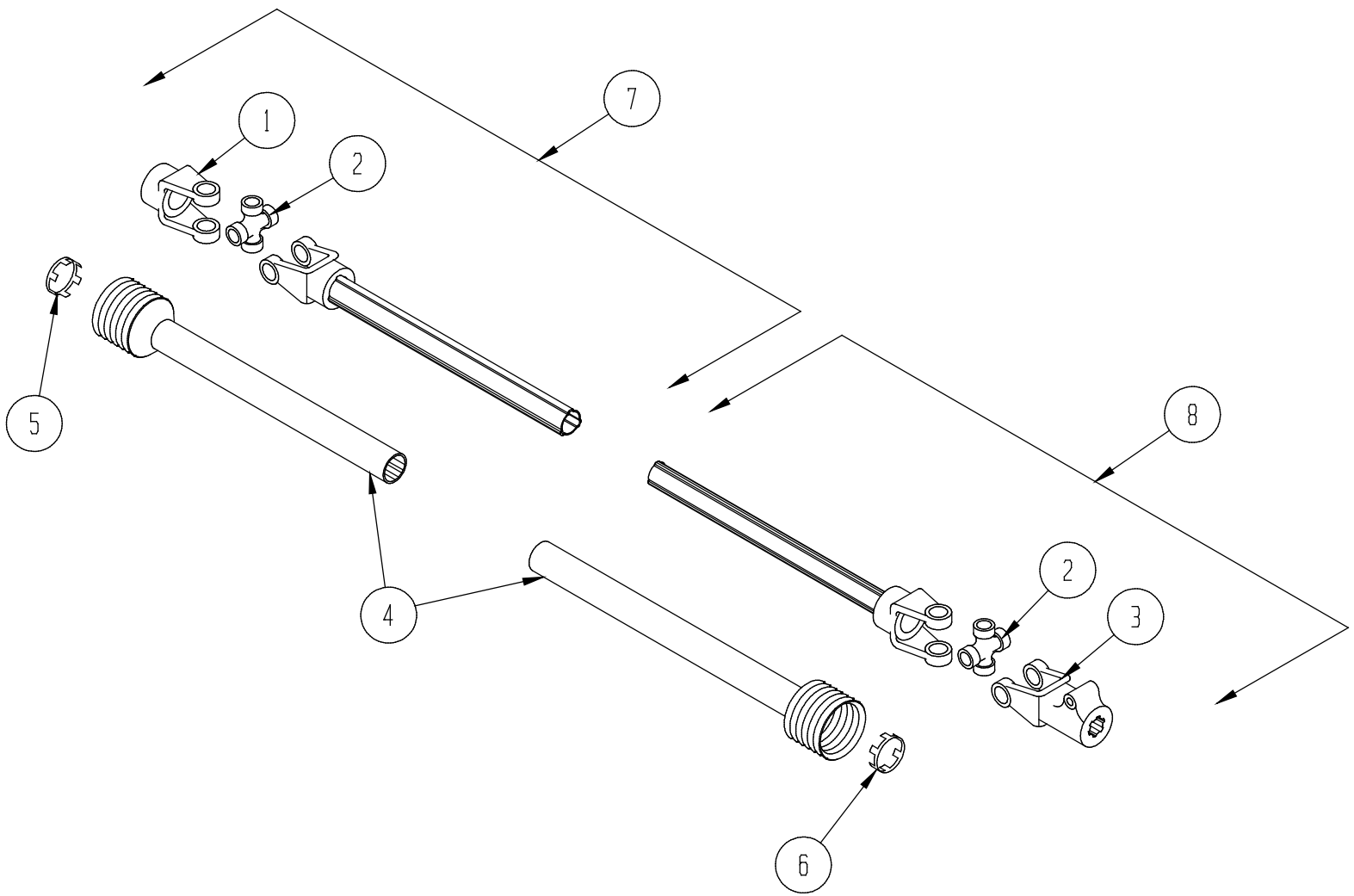
### TONGUE ASSEMBLY

ITEM NO.	QUANTITY	PART NO.	DESCRIPTION
1	1	265562	Tongue (Less Bushing)
2	1	264458	Tongue Pin
3	1	264518	End Cap
4	1	264659	Draw Bar Support
5	1	264745	Hitch Clevis
6	1	264413	Tongue Pivot w/Bushings
7	1	264451	Pivot Pin
8	2	265565	Tongue Mounting w/ Bushings
9	2	264467	Bushing
10	1	264573	Hitch Clevis Bolt
11	1	264519	Split Collar
12	2	264469	Bushing
13	6	997903	Eye Bolt 3/4-10 x 6"
14	6	-----	Hex Cap Screw 3/4-10 x 6
15	2	264468	Bushing
16	1	-----	Hex Lock Nut, 1 1/8-7 UNC
17	1	264658	Spacer Plate
18	1	267496	Lift Bracket
19	2	-----	Hex Bolt, 1 1/4 x 5 1/2 Grade 8
20	2	-----	Lock Nut, 1 1/4
21	4	-----	Flat Washer, 1 1/4



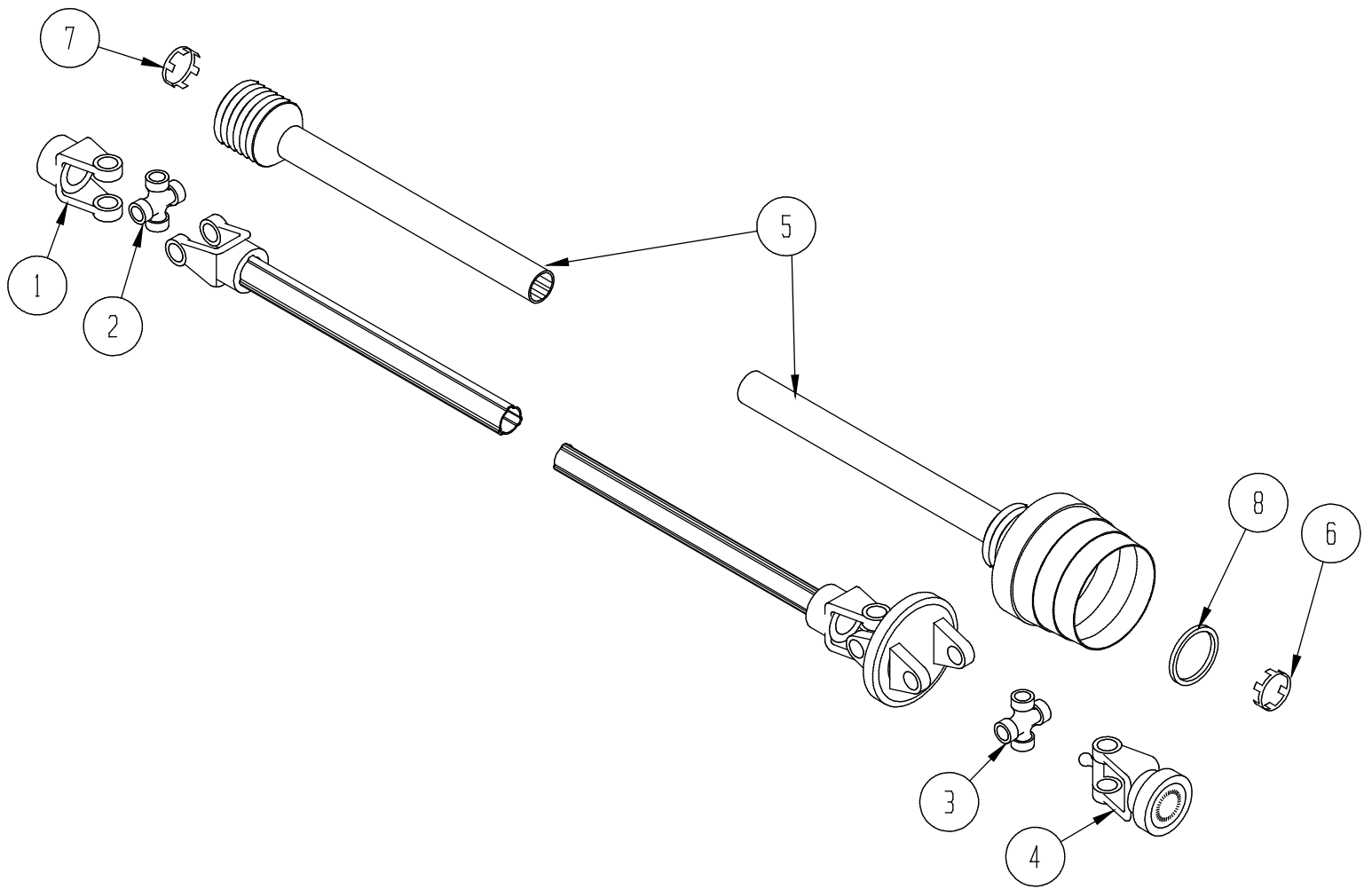
**MAIN DRIVE GROUP**

ITEM NO.	QTY	PART NO.		DESCRIPTION
		2286	2288	
1	1	991040	991040	PTO Drive Line Asm 1 3/8-21
	1	991041	991041	PTO Drive Line Asm 1 3/4-20 (Bondioli, See Breakdown Pg.3)
2	1	991042	991042	C.V. PTO Drive Line 1 3/8-21
	1	991043	991043	C.V. PTO Drive Line 1 3/4-20 (Bondioli, See Breakdown Pg.4)
3	1	267470	267470	Bearing, 1 3/4 Spherical Roller
4	1	267541	267541	PTO Drive Shaft
5	6	267976	267976	Yoke, 35N 1 3/4 Bore w/ Heavy Hub
6	3	980822		4-Bolt Flange Bearing 1 3/4
	4		980822	4-Bolt Flange Bearing 1 3/4
7	1	265432	267207	Cross Drive Shaft, LH
8	1	230077	230077	U-Joint Cover, LH
9	1	230078	230078	U-Joint Cover, RH
10	1	266212	266212	Gear Box 2:1
11	1	266556	266556	Hose Holder
12	1	265431	267207	Cross Drive Shaft, RH
13	1	266368	266368	Cover, Gear Box Shaft
14	1	267862		Bearing Plate Cover
15	1			Hex Cap Screw, 3/8 x 3 1/2, GRD 5
16	1			Lock Nut, 3/8
17	2	265953	265953	Hose Ring
18	1	267540	267540	PTO Shield
19	1	267876		Bearing Plate
	2		267876	Bearing Plate
20	3	990653	990653	Cross & Bearing Kit, 35N



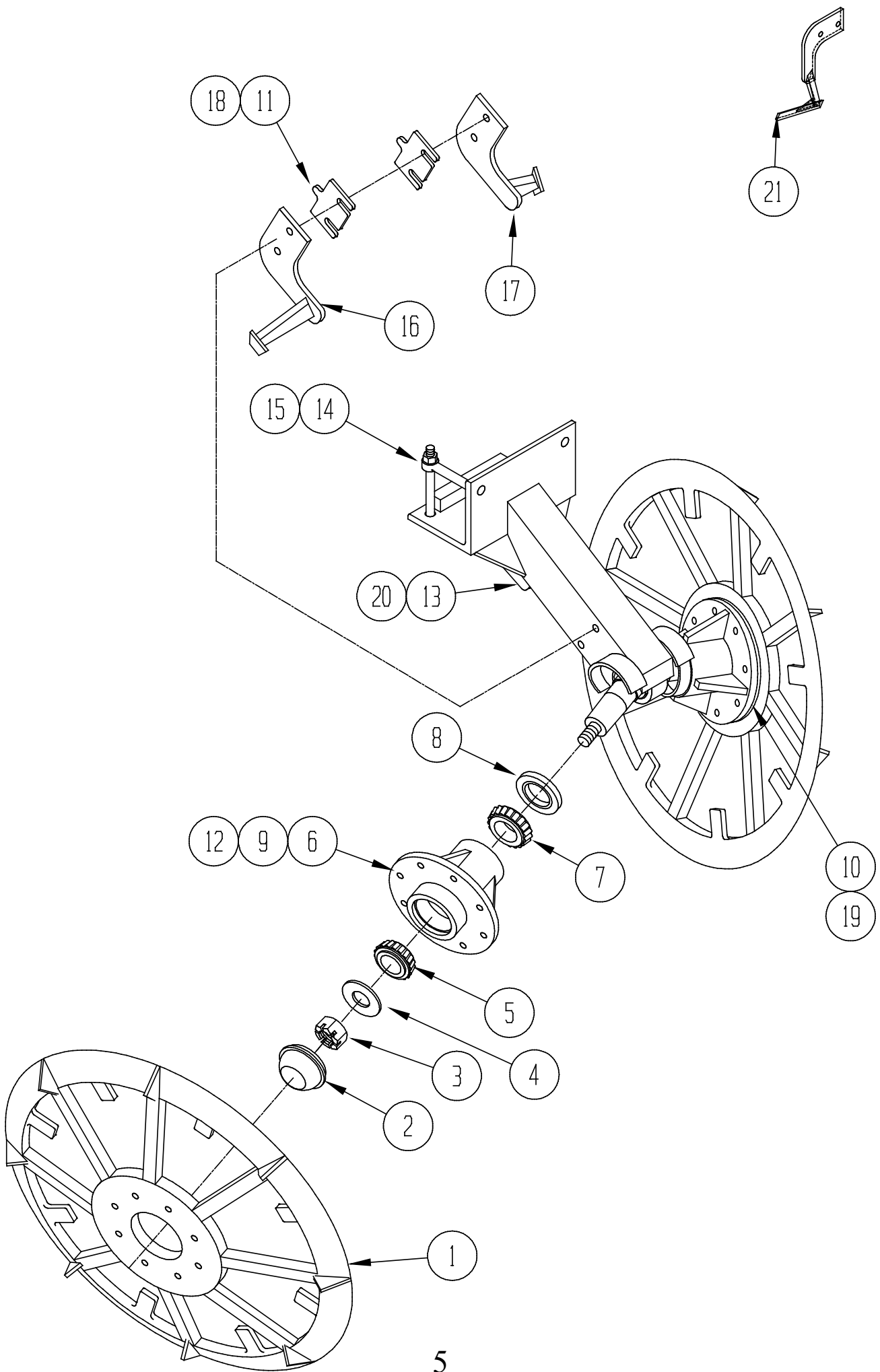
### PTO DRIVE LINE ASSEMBLY, STANDARD

ITEM NO.	QUANTITY	PART NO.	DESCRIPTION
1	1	991039	Round Bore Yoke 1 3/4-3/8 KW
2	2	991009	Cross & Bearing Kit
3	1	991012	Q.D. Yoke, 1 3/8-21 Splined
		991013	Q.D. Yoke, 1 3/4-20 Splined
4	1	991082	Drive Line Shield Assembly
5	1	991038	Bearing retainer, Inner Shield
6	1	991037	Bearing retainer, Outer Shield
7	1	991081	Drive Line Implement Half w/ Shield, 1 3/4"
8	1	991079	Drive Line Tractor Half w/ Shield, 1 3/4-20
	1	991080	Drive Line Tractor Half w/ Shield, 1 3/8-21



### PTO DRIVE LINE ASSEMBLY, CONSTANT VELOCITY

ITEM NO.	QUANTITY	PART NO.	DESCRIPTION
1	1	991039	Yoke, 1 3/4- 3/8 KW
2	1	991009	Cross & Bearing Kit
3	1	991029	Cross & Bearing Kit
4	1	991027	QD Yoke, 1 3/8-21 Splined
	1	991028	QD Yoke, 1 3/4-20 Splined
5	1	991078	Drive Line Shield Assembly
6	1	991037	Bearing Retainer, Outer Shield
7	1	991038	Bearing Retainer, Inner Shield
8	2	991036	CV Cone Retainer
9	1	991075	Drive Line Implement Half w/ Shield, 1 3/4"
10	1	991076	Drive Line Tractor Half w/ Shield, 1 3/4-20
	1	991077	Drive Line Tractor Half w/ Shield, 1 3/8-21

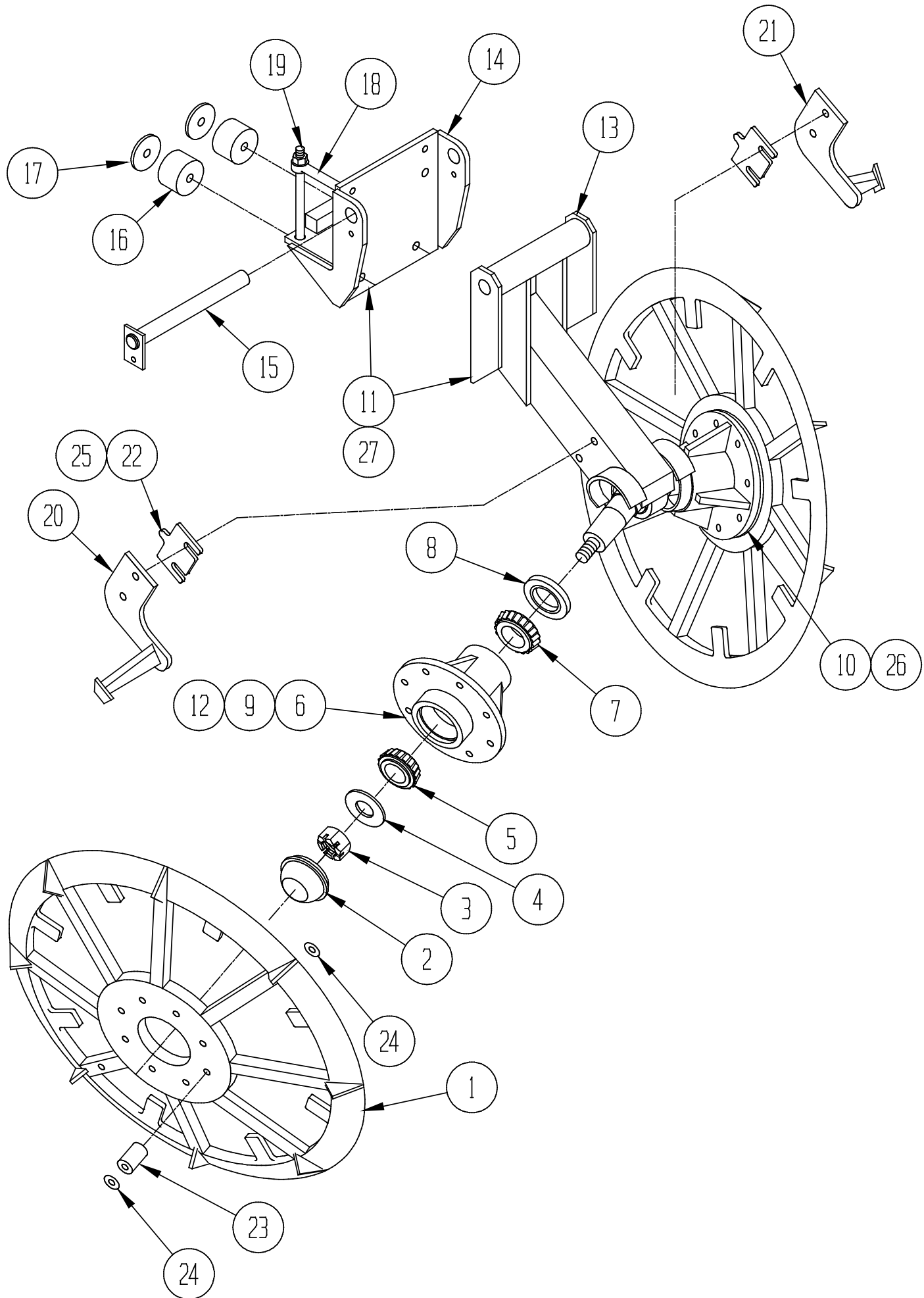




## LIFTER WHEEL STANDARD STRUT ASSEMBLY

ITEM NO.	QTY	PART NO. WIDE	PART NO. NARROW	DESCRIPTION
1	2	267939	267939	Lifter Wheel w/ Peg Fillers
2	2	999865	999865	Dust Cap
3	2	999002	999002	Slotted Nut 1 1/4-12 UNF
4	2	998139	998139	1 1/4 Flat Washer
5	2	990017	990017	Bearing Cone (Outer)
6	2	267941	267945	Hub Assembly (Includes Items #9 & #12)
7	2	990014	990014	Bearing Cone (Inner)
8	2	999837	999837	Seal
9	2	990015	990015	Bearing Cup (Inner)
10	4	999836	999836	Spacer, Single Half, 1/4"
11	2	266348	266348	Shim, 1/4"
12	2	990016	990016	Bearing Cup (Outer)
13	1	267503	267943	Lifter Wheel Strut & Spindle
	1	999841	265655	Replacement Spindle (Weld in)
14	2	267502	267502	5/8 x 8 Eye Bolt
15	2	-----	-----	Hex Bolt 5/8-11 UNC x 8
16	1	266485	266315	Scraper, LH
17	1	266486	266316	Scraper, RH
18	As Req'd	267222	267222	Shim, 1/8"
19	As Req'd	267173	267173	Spacer, Single Half, 1/8"
20		267501	267942	Wheel Strut Assembly w/ Bearings & Hubs

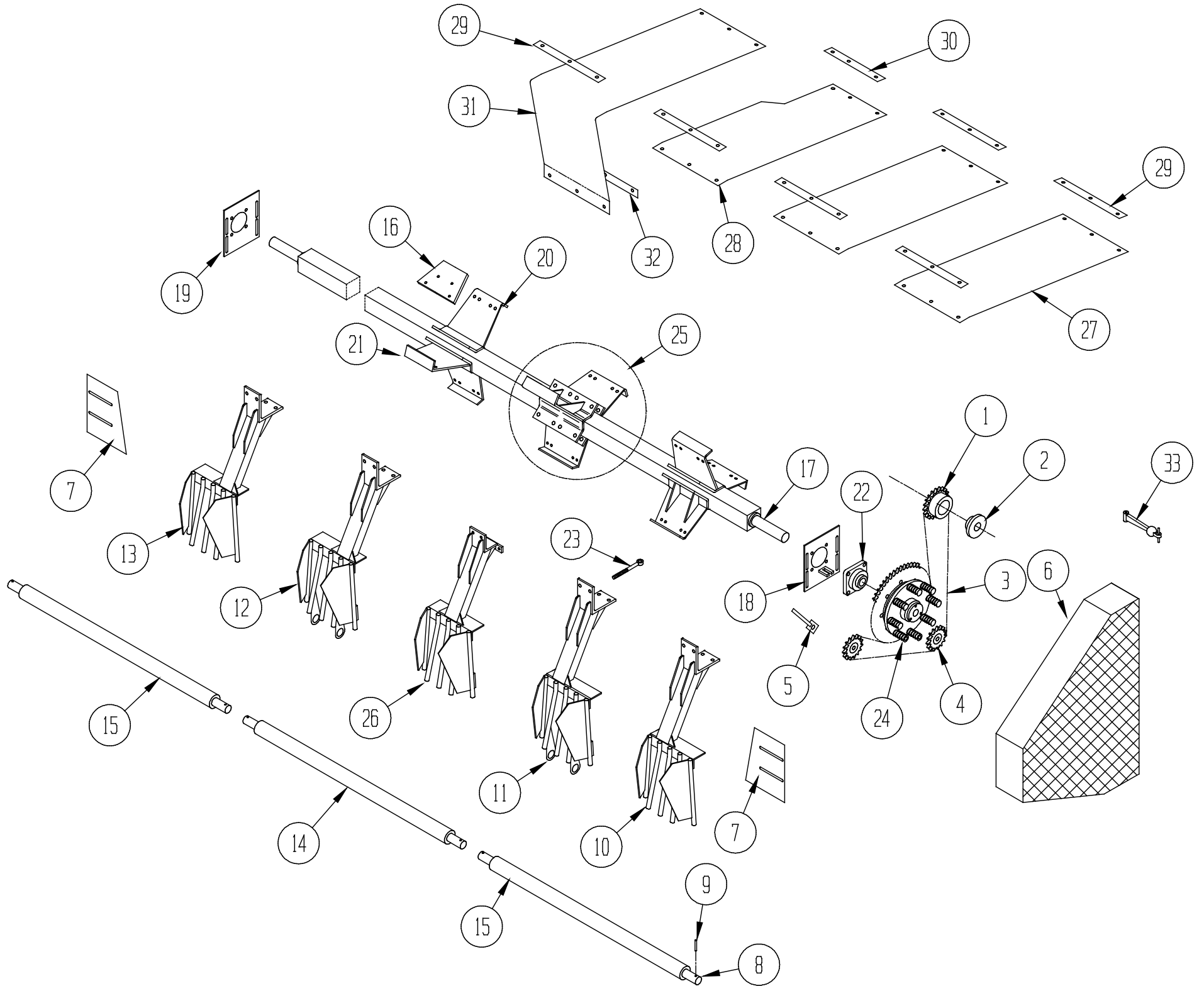
NOTICE: The Above Lifter Wheel and Hub Assemblies use 1/2" bolts!



## LIFTER WHEEL ROCK STRUT ASSEMBLY

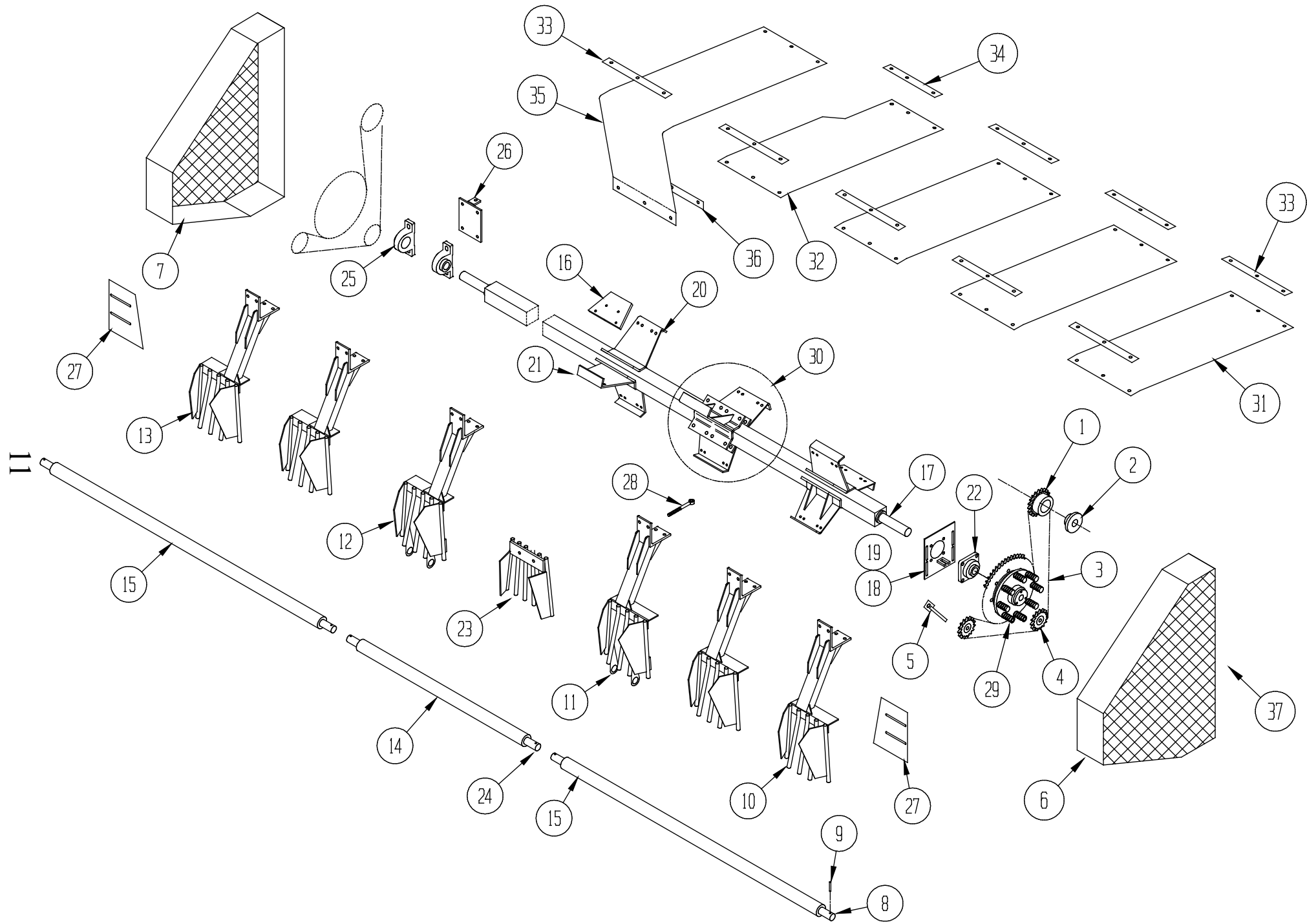
ITEM NO.	QTY	PART NO. WIDE	PART NO. NARROW	DESCRIPTION
1	2	267939	267939	Lifter Wheel w/ Peg Fillers
2	2	999865	999865	Dust Cap
3	2	999002	999002	Slotted Nut 1 1/4-12 UNF
4	2	998139	998139	1 1/4 Flat Washer
5	2	990017	990017	Bearing Cone (Outer)
6	2	267941	267945	Hub Assembly (Includes Items #9 & #12)
7	2	990014	990014	Bearing Cone (Inner)
8	2	999837	999837	Seal
9	2	990015	990015	Bearing Cup (Inner)
10	4	999836	999836	Spacer, Single Half, 1/4"
11	1	267731	267948	Strut & Mounting Asm (Includes Items #13,14,15,16, & #17)
12	2	990016	990016	Bearing Cup (Outer)
13	1	267769	267949	Lifter Wheel Strut & Spindle
	1	999841	265655	Replacement Spindle (Weld in)
14	1	267729	267729	Mounting Weldment
15	1	266430	266430	Pivot Pin
16	2	265134	265134	Spring Cushion
17	2	265135	265135	Spring Washer
18	2	267502	267502	5/8 x 8 Eye Bolt
19	2	-----	-----	Hex Bolt 5/8-11 UNC x 8
20	1	266485	266315	Scraper, LH
21	1	266486	266316	Scraper, RH
22	2	266348	266348	Shim, 1/4"
23	8	267986	267986	Urethane Cushion
24	8	267985	267985	Washer
25	As Req'd	267222	267222	Shim, 1/8"
26	As Req'd	267173	267173	Spacer, Single Half, 1/8"
27		267803	267947	Wheel Strut Assembly w/ Bearings & Hubs

NOTICE: The Above Lifter Wheel, Hub Assemblies, and Cushions use 1/2" bolts!



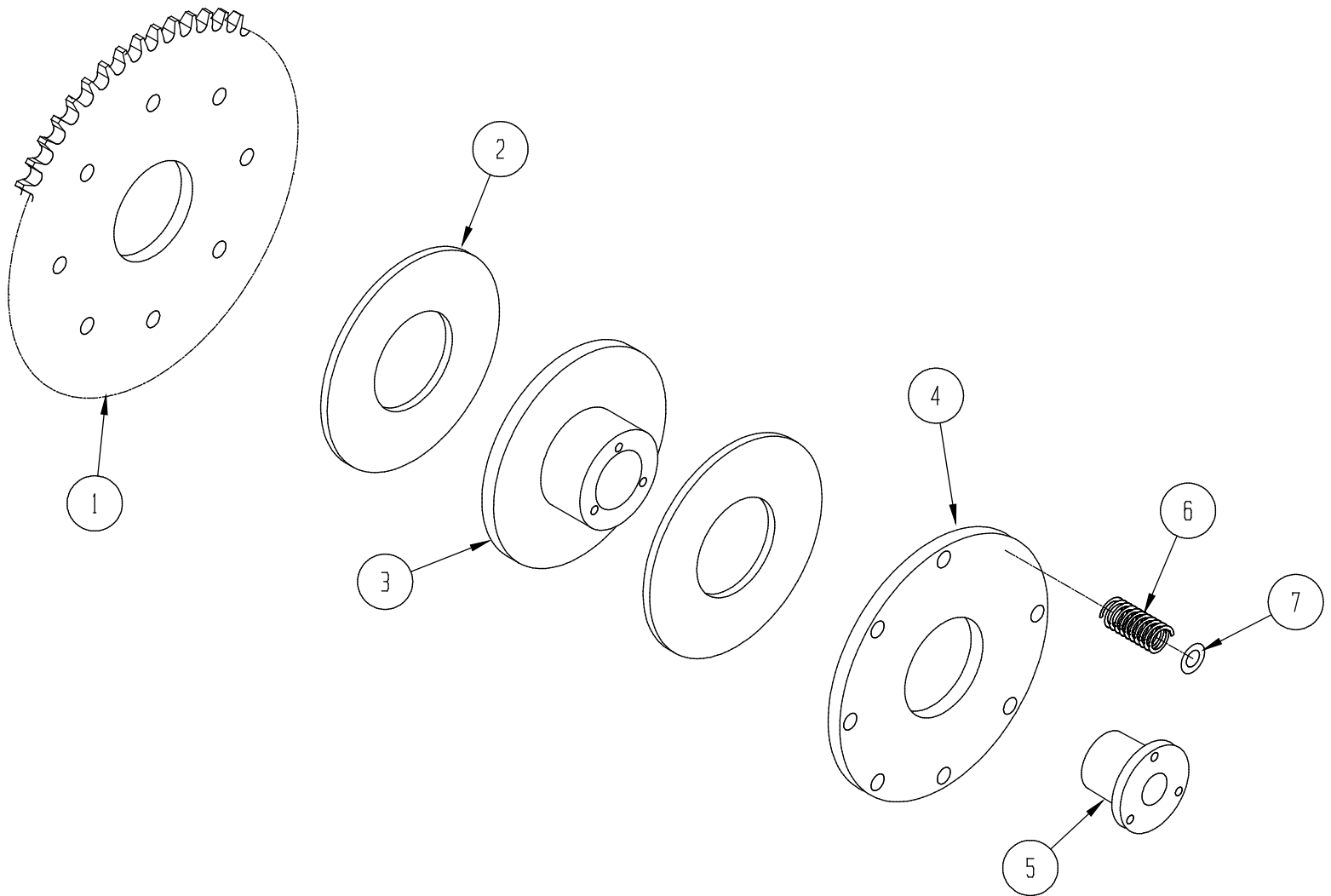
## PADDLE & BAFFLE GROUP, MODEL 2286

ITEM NO.	QTY	PART NO. WIDE	PART NO. NARROW	DESCRIPTION
1	1	267212	267212	Sprocket, H80P12 (Tractor Hyd Drive Only)
2	1	290357	290357	Bushing, P1-1 3/4
3	96"	980912	980912	Roller Chain, RC80
	1	980927	980927	Master Link, RC80
4	2	980751	980751	Idler Sprocket, 12 Tooth
5	1	266998	266998	Draw Bolt
6	1	267864	267864	Drive Cover, LH
7	2	266924	266924	Deflector
8	3	267102	267102	Filler Shaft
9	6	-----	-----	Roll Pin, 1/4 x 3"
10	1	267239	267245	Baffle Bracket, LH Offset
11	1	267224	267243	Baffle Bracket, LH Offset w/ Shaft Support
12	1	267225	267244	Baffle Bracket, RH Offset w/ Shaft Support
13	1	267240	267246	Baffle Bracket, RH Offset
14	1	267058	267058	Filler Pipe
15	2	267057	267057	Filler Pipe
16	3/rw	265147	266523	Rubber Backing Paddle
17	1	265380	265380	Paddle Shaft
18	1	267069	267069	Bearing Plate, LH
19	1	267070	267070	Bearing Plate, RH
20	1/rw	266095	266095	Paddle, Single
21	1/rw	266094	266094	Paddle, Double
22	2	980821	980821	Flanged Bearing, 1 15/16
23	8	997904	997904	Eye Bolt, 5/8 x 6
24	1	267292	267292	Slip Clutch Assembly (see page 13)
25	1/rw	266072	266072	Paddle Assembly
26	1	267231	267247	Baffle Bracket, Center
27	3	267950	267950	Paddle Cover, Outside
28	2	267951	267951	Paddle Cover, Inside
29	9	268194	268194	Backing Bar, Outside
30	2	268193	268193	Backing Bar, Inside
31	1	267952	267952	Paddle Cover, Row Finder Row
32	1	267780	267780	Clamp Bar, R.F. Row (Standard Struts Only)
33	1	270244	270244	Rubber Latch



## PADDLE & BAFFLE GROUP, MODEL 2288 SERIES

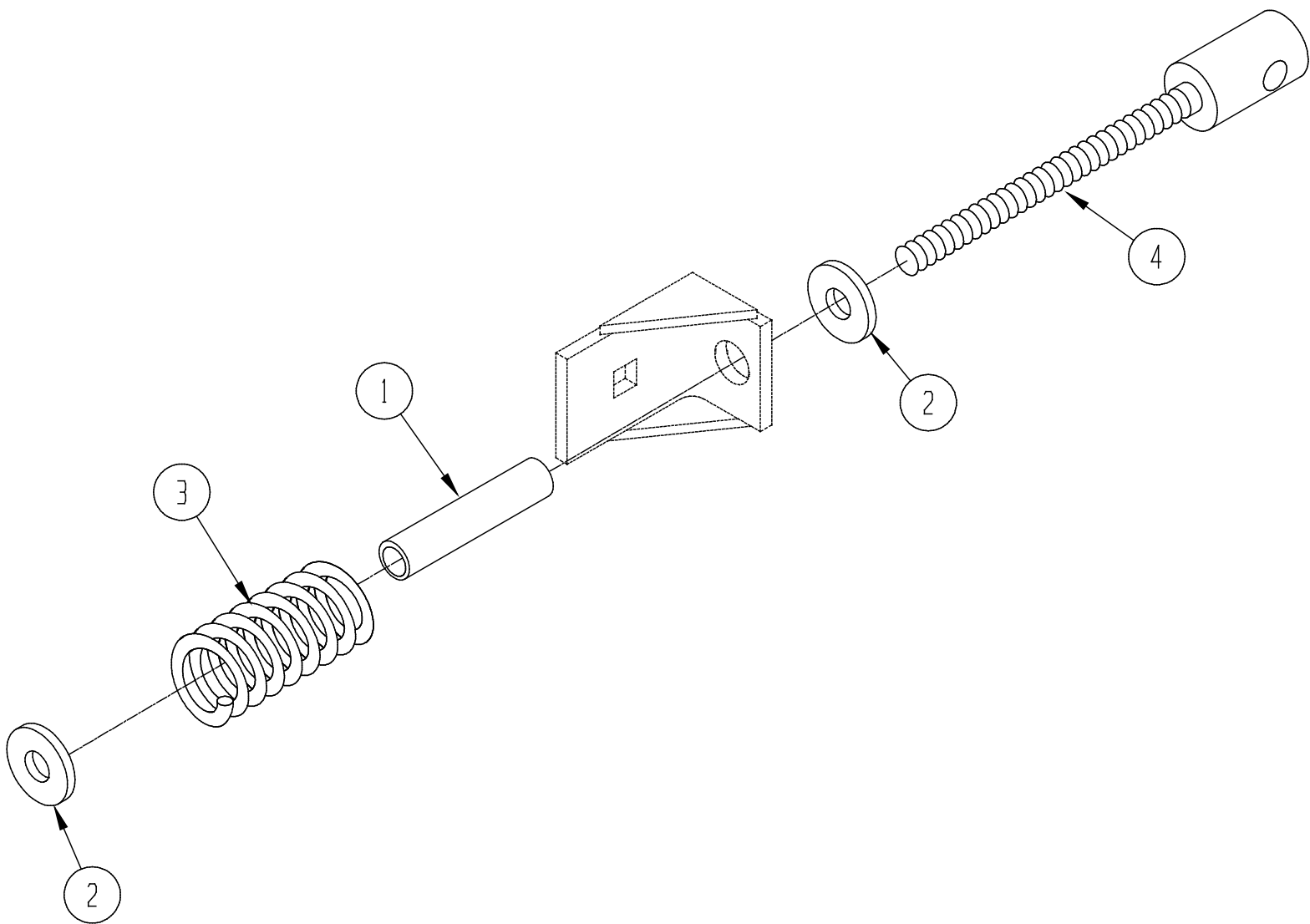
ITEM NO.	QTY	PART NO. WIDE	PART NO. NARROW	DESCRIPTION
1	2	267212	267212	Sprocket, H80P12 (Tractor Hyd Drive Only)
2	2	290357	290357	Bushing, P1-1 3/4
3	96"/Side	980912	980912	Roller Chain, RC80
	1 / Side	980927	980927	Master Link, RC80
4	4	980751	980751	Idler Sprocket, 12 Tooth
5	2	266998	266998	Draw Bolt
6	1	267864	267864	Drive Cover, LH
7	1	267865	267865	Drive Cover, RH
8	2	264512	264512	Filler Shaft
	2	267125		Filler Shaft, 30" Rows
9	6	-----	-----	Roll Pin, 1/4 x 3"
10	2	267239	267245	Baffle Bracket, LH Offset
	2	267249		Baffle Bracket, 30" Rows
11	1	267224	267243	Baffle Bracket, LH Offset w/ Shaft Support
	2	267248		Baffle Bracket, 30" Rows w/ Shaft Support
12	1	267225	267244	Baffle Bracket, RH Offset w/ Shaft Support
13	2	267240	267246	Baffle Bracket, RH Offset
14	1	267058	267058	Filler Pipe
	1	267123		Filler Pipe, 30" Rows
15	2	267112	267112	Filler Pipe
	2	267122		Filler Pipe, 30" Rows
16	3/rw	265147	266523	Rubber Backing Paddle
17	2	265900	265900	Paddle Shaft
18	1	267069	267069	Bearing Plate, LH
19	1	267070	267070	Bearing Plate, RH
20	1/rw	266095	266095	Paddle, Single
21	1/rw	266094	266094	Paddle, Double
22	2	980821	980821	Flanged Bearing, 1 15/16
23	1	267038	266383	Baffle Bracket, Center
	1	267131		Baffle Bracket, Center 30" Rows
24	1	267102	267102	Filler Shaft
	1	267124		Filler Shaft, 30" Rows
25	2	980029	980029	Pillow Block Bearing, 1 15/16
26	1	265875	265875	Adjusting Plate
27	2	266924	266924	Deflector
28	10	997904	997904	Eye Bolt, 5/8 x 6
	8	997904	997904	Eye Bolt, 5/8 x 6 (30" Row Quantity)
29	1	267292	267292	Slip Clutch Assembly (See Page 13)
30	1/rw	266072	266072	Paddle Assembly
31	5	267950	267950	Paddle Cover, Outside
	3	267950	267950	Paddle Cover, Outside (30" Row Quantity)
32	2	267951	267951	Paddle Cover, Inside
33	13	268194	268194	Backing Bar, Outside
	9	268194	268194	Backing Bar, Outside (30" Row Quantity)
34	2	268193	268193	Backing Bar, Inside
35	1	267952	267952	Paddle Cover, Row Finder Row
36	1	267780	267780	Clamp Bar, R.F. Row (Standard Struts Only)
37	1	270244	270244	Rubber Latch



**SLIP CLUTCH ASSEMBLY**  
(Paddle Shaft)

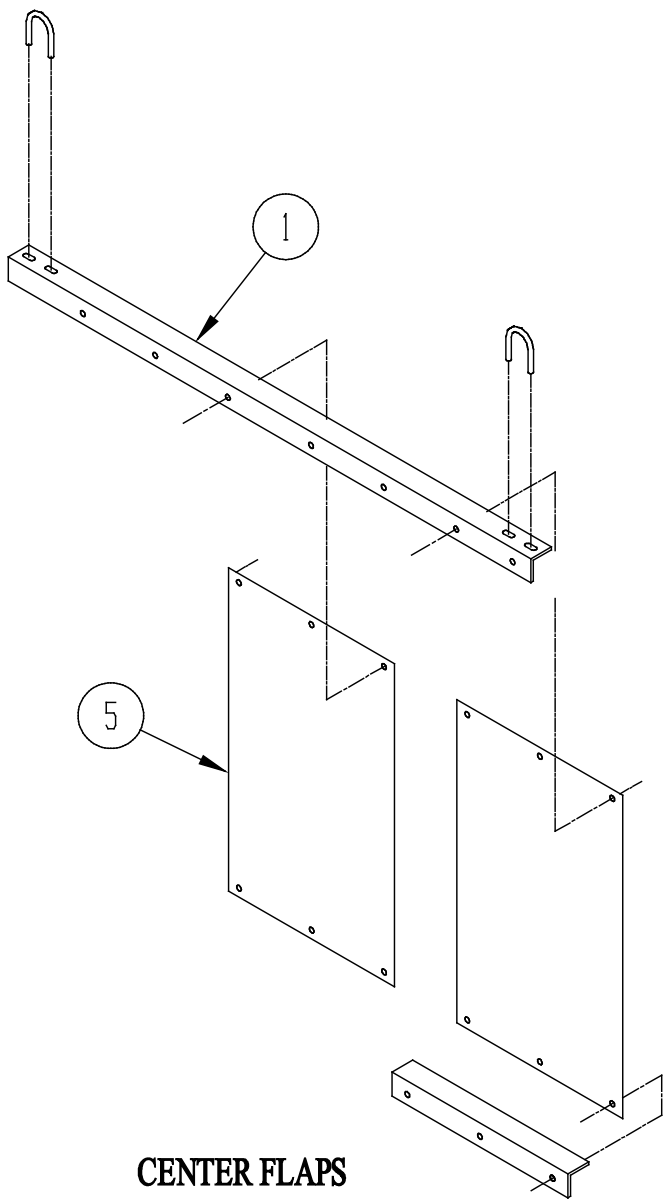
ITEM NO.	QUANTITY	PART NO.	DESCRIPTION
1	1	267387	Sprocket, 80A45
2	2	265763	Fiber Disk
3	1	265764	Hub
4	1	265765	Clutch Plate
5	1	980219	Bushing, Q1 1 15/16
6	8	265761	Spring
7	8	264786	Washer
8	1	267292	Clutch Assembly, Less Bushing



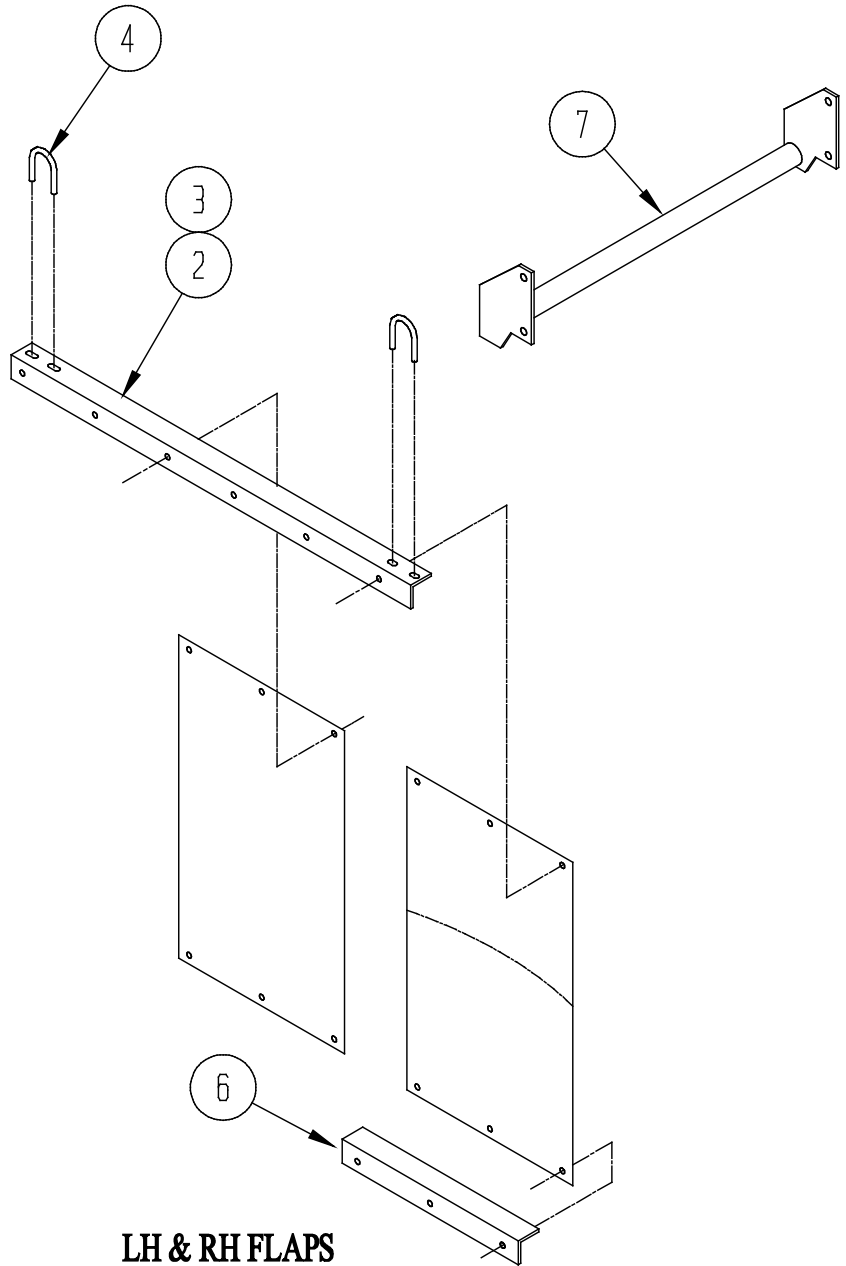


**GRAB ROLL ROCK SPRING KIT**  
264885

ITEM NO.	QUANTITY	PART NO.	DESCRIPTION
1	As Req'd	265249	Spring Spacer
2	As Req'd	-----	Flat Washer, $\frac{3}{4}$
3	As Req'd	264737	Spring
4	As Req'd	267268	Adjusting bolt



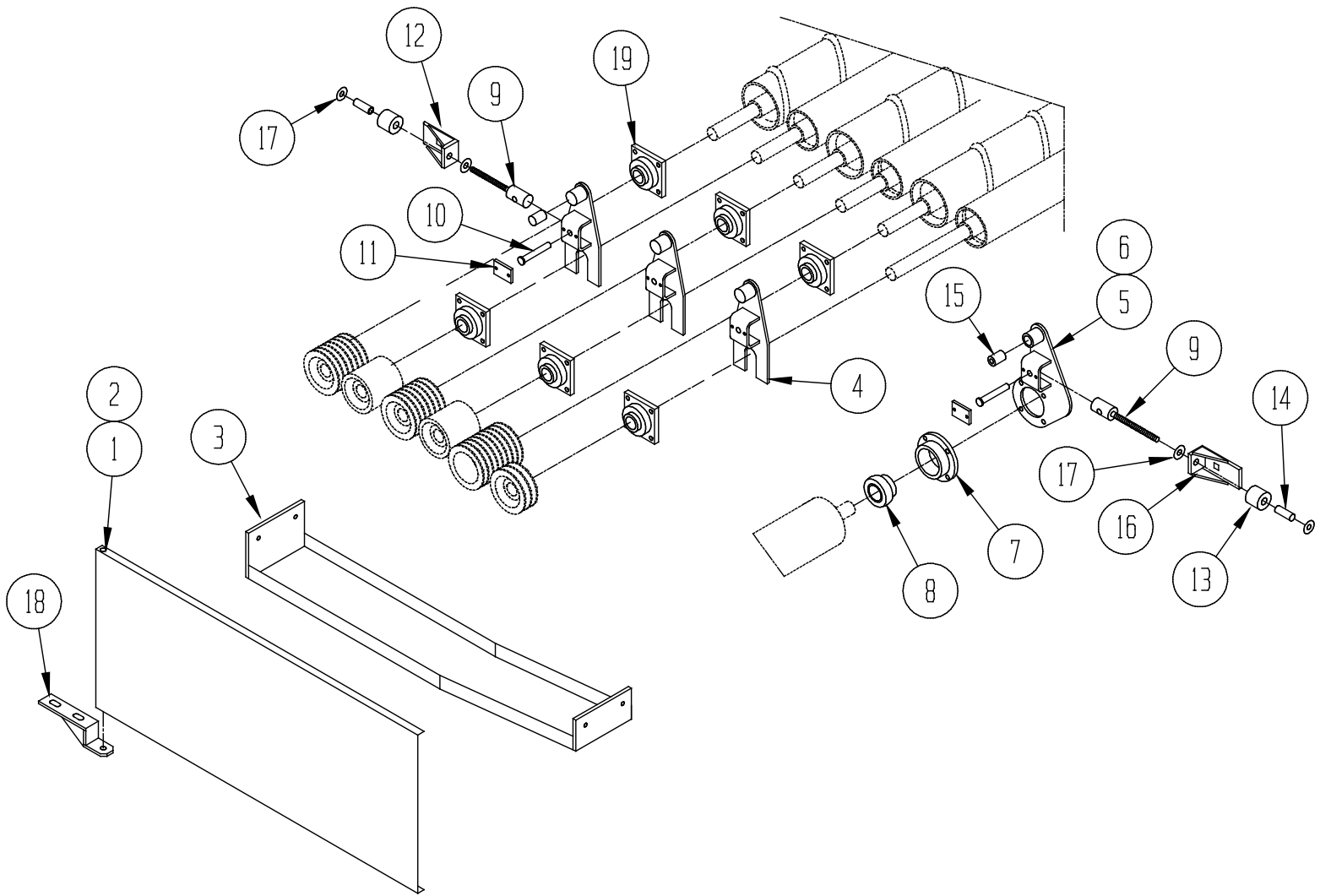
**CENTER FLAPS**



**LH & RH FLAPS**

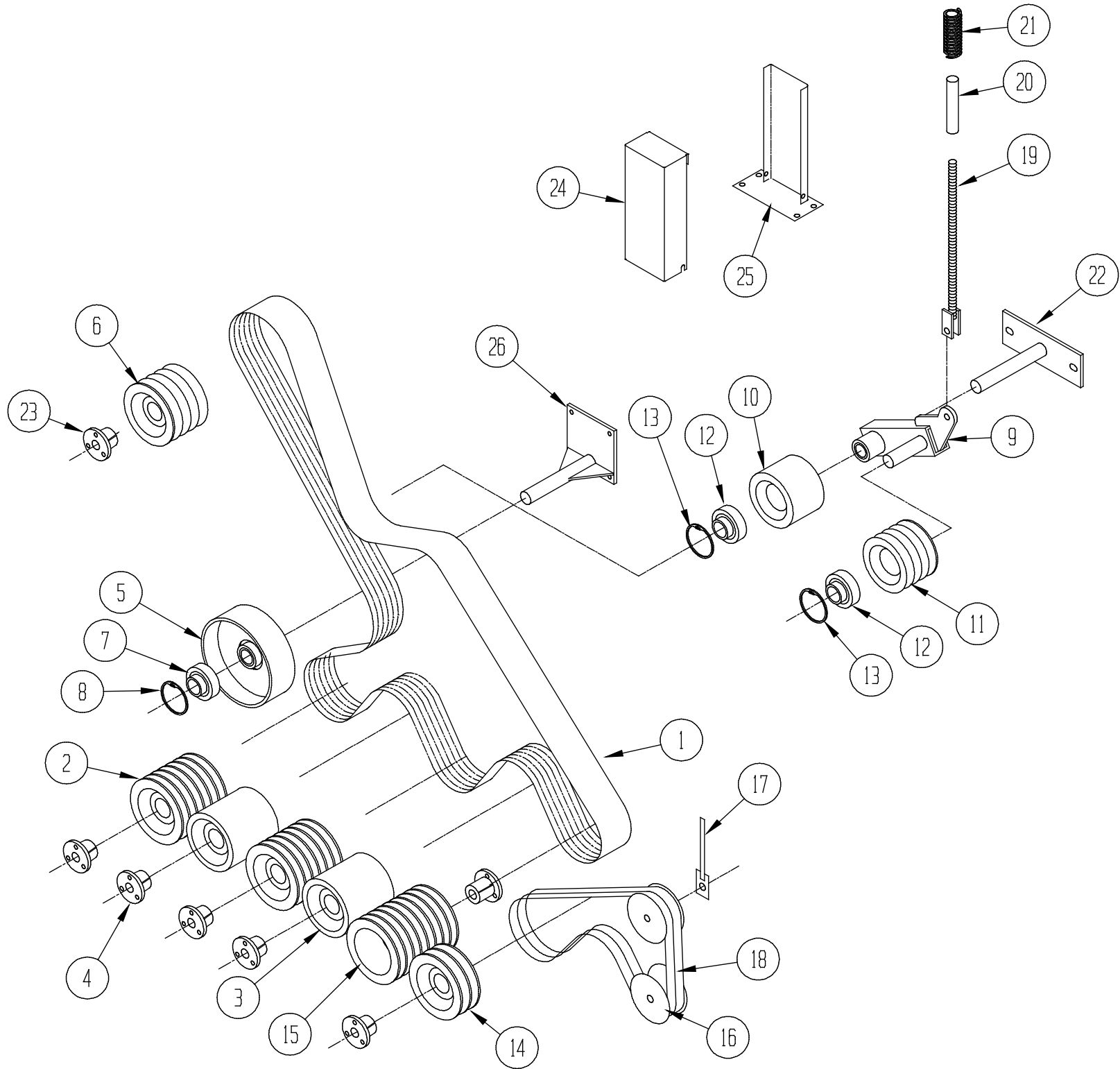
**GRAB ROLL MUD FLAPS**

ITEM NO.	QTY 2286	QTY 2288 SERIES	PART NO. 2286	PART NO. 2288 SERIES	DESCRIPTION
1	1	1	267800	267800	Center Flap Angle
2	1	1	267981	267751	LH Flap Angle
3	1	1	267982	267752	RH Flap Angle (Not Shown)
4	6	6	265283	265280	U-Bolt
5	6	8	265281	265281	Rubber Flap
6	6	8	265265	265265	Flap Angle



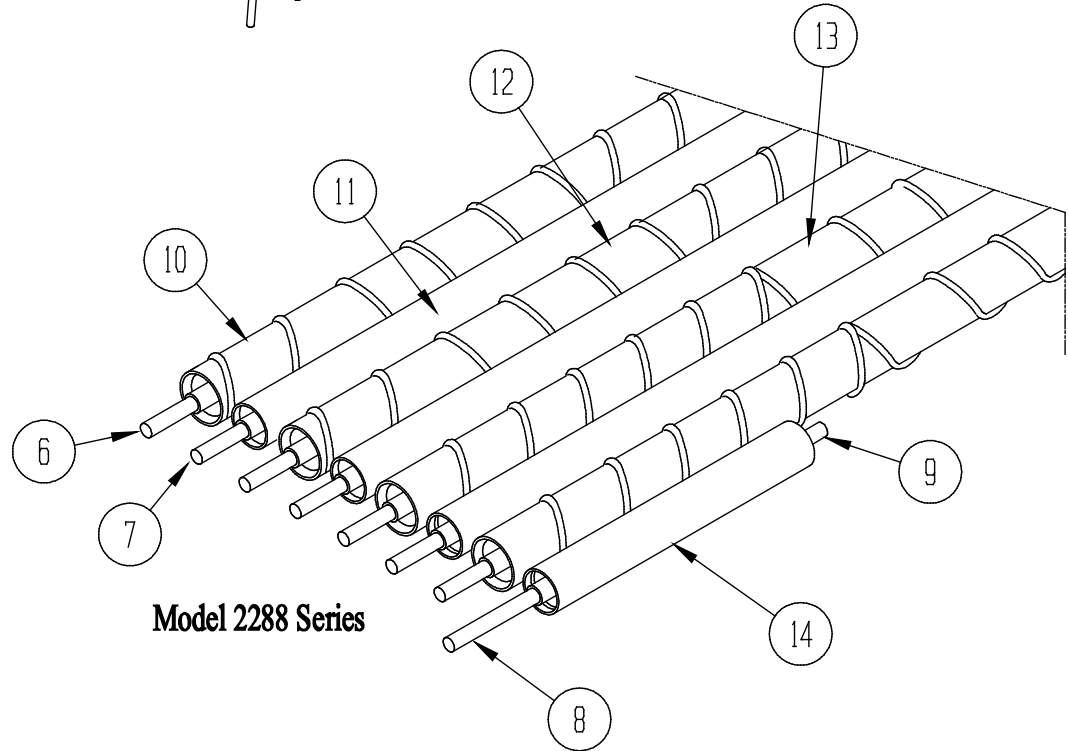
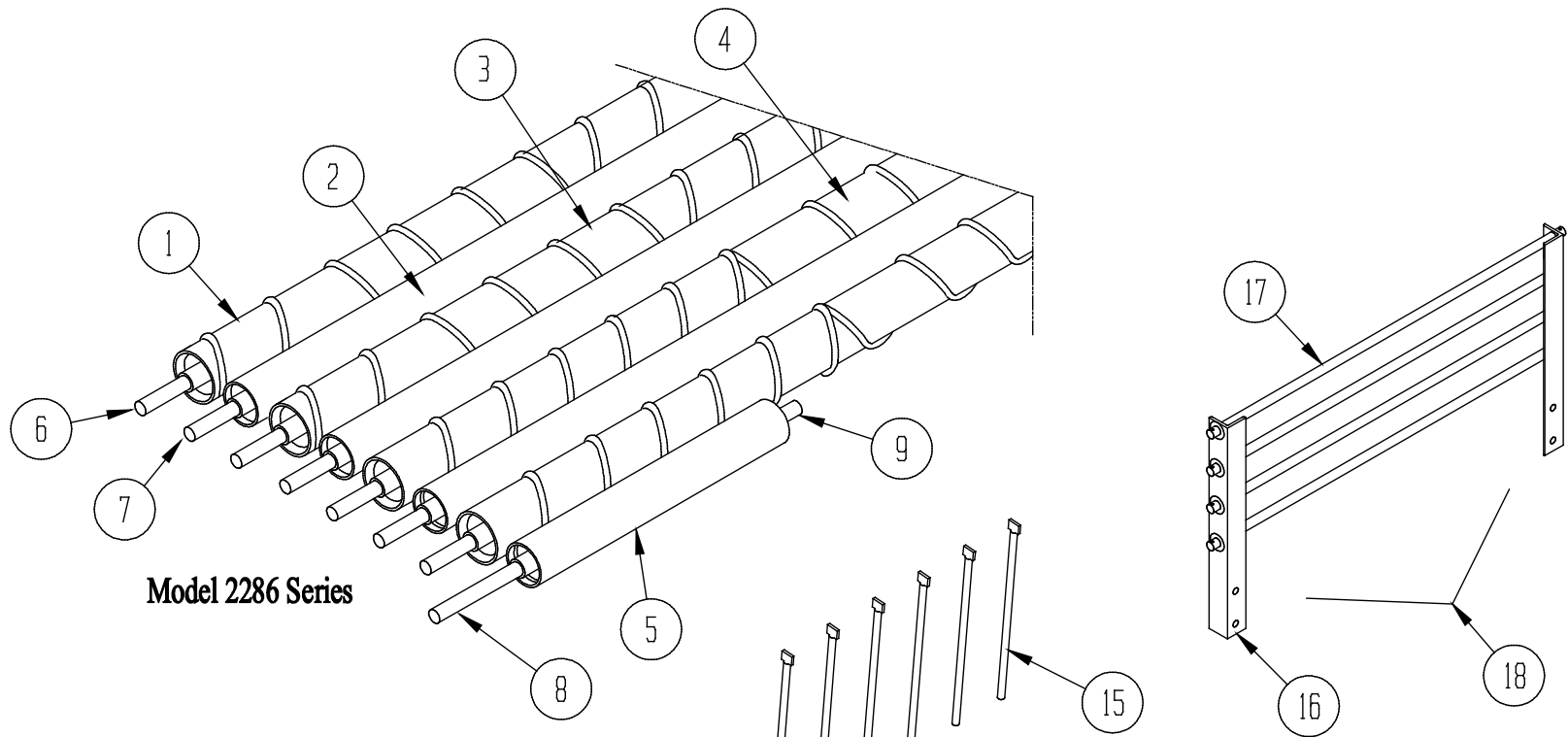
### GRAB ROLL HANGERS & DOORS

ITEM NO.	QTY 2286	QTY 2288 SERIES	PART NO. 2286	PART NO. 2288 SERIES	DESCRIPTION
1	1	1	265478	265478	Grab Roll Door, LH
2	1	1	265479	265479	Grab Roll Door, RH
3	1	1	266036	265482	Lower Guard
4	8	8	267873	267873	Hanger Bracket
5	1	1	267608	267608	Inside Hanger Bracket, LH
6	1	1	267609	267609	Inside Hanger Bracket, RH
7	2	2	281563	281563	Bearing Housing
8	2	2	521481	521481	Bearing Insert, 1 15/16
9	10	10	267266	267266	Adjusting Bolt
10	10	10	264640	267640	Clevis Pin
11	10	10	267874	267874	Retainer Block
12	8	8	264601	264601	Take-Up Angle
13	10	10	264603	264603	Cushion
14	10	10	264604	264604	Spacer
15	10	10	264216	264216	Bushing
16	2	2	267611	267611	Take-Up Angle
17	20	20	264602	264602	Washer
18	2	2	264838	264838	Hinge Bracket
19	16	16	980822	980821	Bearing, 4-Hole Flanged



## GRAB ROLL BELT DRIVE COMPONENTS

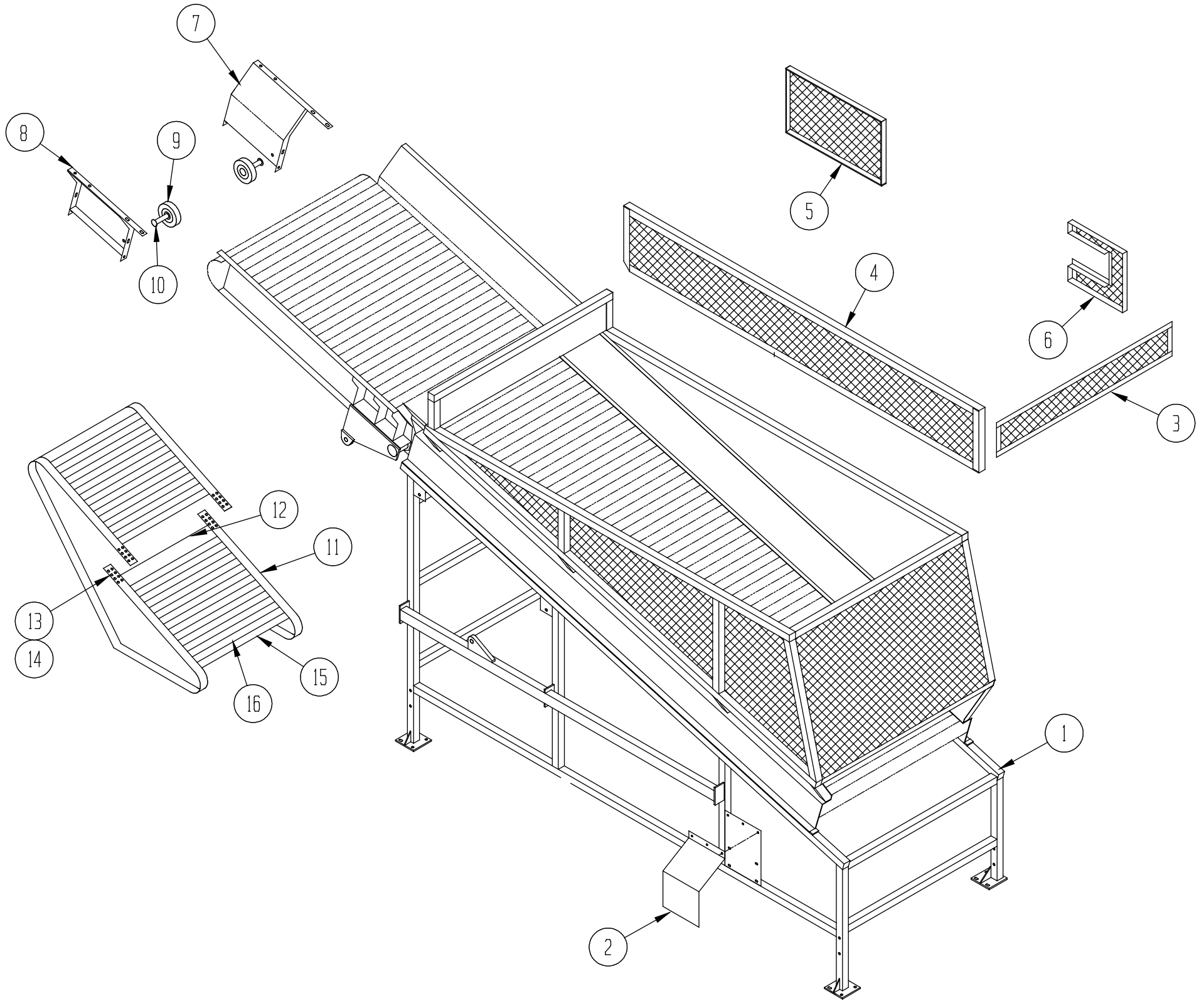
ITEM NO.	QTY	PART NO. 2286	PART NO. 2288 SERIES	DESCRIPTION
1	2	267045		Power Band, 3BX195 (Use Notched Only)
	4		267045	Power Band, 3BX195 (Use Notched Only)
2	4	265855		Sheave, 6TB6.4 Q1
	6		265855	Sheave, 6TB6.4 Q1
3	4	265905		Smooth Pulley
	6		265905	Smooth Pulley
4	14	980218		Bushing, Q1 1 3/4"
	14		980219	Bushing, Q1 1 15/16
5	2	265474	265474	Idler Assembly w/Bearings
6	2	265907		Sheave, 6TB7.4 Q2
	2		265907	Sheave, 6TB7.4 Q2
7	2	980077	980077	Bearing, 1 3/4"
8	2	998915	998915	Snap Ring
9	1	267174	267174	Idler Arm, LH
	1	267175	267175	Idler Arm, RH
10	2	267020	267020	Idler Assembly, 6 1/2" w/ Bearing
11	2	265474	265908	Idler Sheave Assembly w/ Bearing
12	2	980073	980073	Bearing, 1 3/8"
13	2	998914	998914	Snap Ring
14	2	266327	266327	Sheave, 2B6.4 Q1
15	2	266539		Sheave, 8B6.4 SF
	2		266539	Sheave, 8B6.4 SF
16	4	265649	265649	Idler Pulley
17	2	264084	264084	Draw Bolt
18	4	265366	265366	V-Belt, BB60
19	2	266538	266538	Draw Bolt
20	2	264637	264637	Spacer
21	2	264636	264636	Spring
22	2	265471	265471	Idler Shaft Weldment
23	2	265653	265653	Bushing, Q2 1 3/4
24	2	268769	268769	Draw Bolt Cover
25	-	-----	-----	-----
26	2	265466	265466	Idler Bracket



## GRAB ROLL BED ASSEMBLY

ITEM NO.	QTY	PART NO. 2286	PART NO. 2288 SERIES	DESCRIPTION
1	1	266848		Grab Roll #1
2	3	266852		Grab Roll #2 #4 & #6
3	1	268810		Grab Roll #3
4	2	268285		Grab Roll #5 & #7
5	2	268286		Grab Roll #8
6	6	264046		Stub Shaft, #1, #3, #5, & #7 Grab Rolls
	8		266847	Stub Shaft, #1, #3, #5, & #7 Grab Rolls
7	4	264070		Stub Shaft, #2, #4, & #6 Grab Rolls
	6		266857	Stub Shaft, #2, #4, & #6 Grab Rolls
8	1	267881		Stub Shaft, Long #8 Grab Roll
	1		268027	Stub Shaft, Long #8 Grab Roll
9	1	267690		Stub Shaft, Short #8 Grab Roll
	1		267690	Stub Shaft, Short #8 Grab Roll
10	1		266896	Grab Roll #1
11	3		266897	Grab Roll #2, #4, & #6
12	1		266898	Grab Roll #3
13	2		266899	Grab Roll #5 & #7
14	2		268024	Grab Roll #8
15	48	266290		Finger Rod
	78		266290	Finger Rod
16	4	267284	267284	Mounting Angle
17	8	267870	267607	Cross Rod
18	2	267869	267606	Rear Railing Assembly, Complete

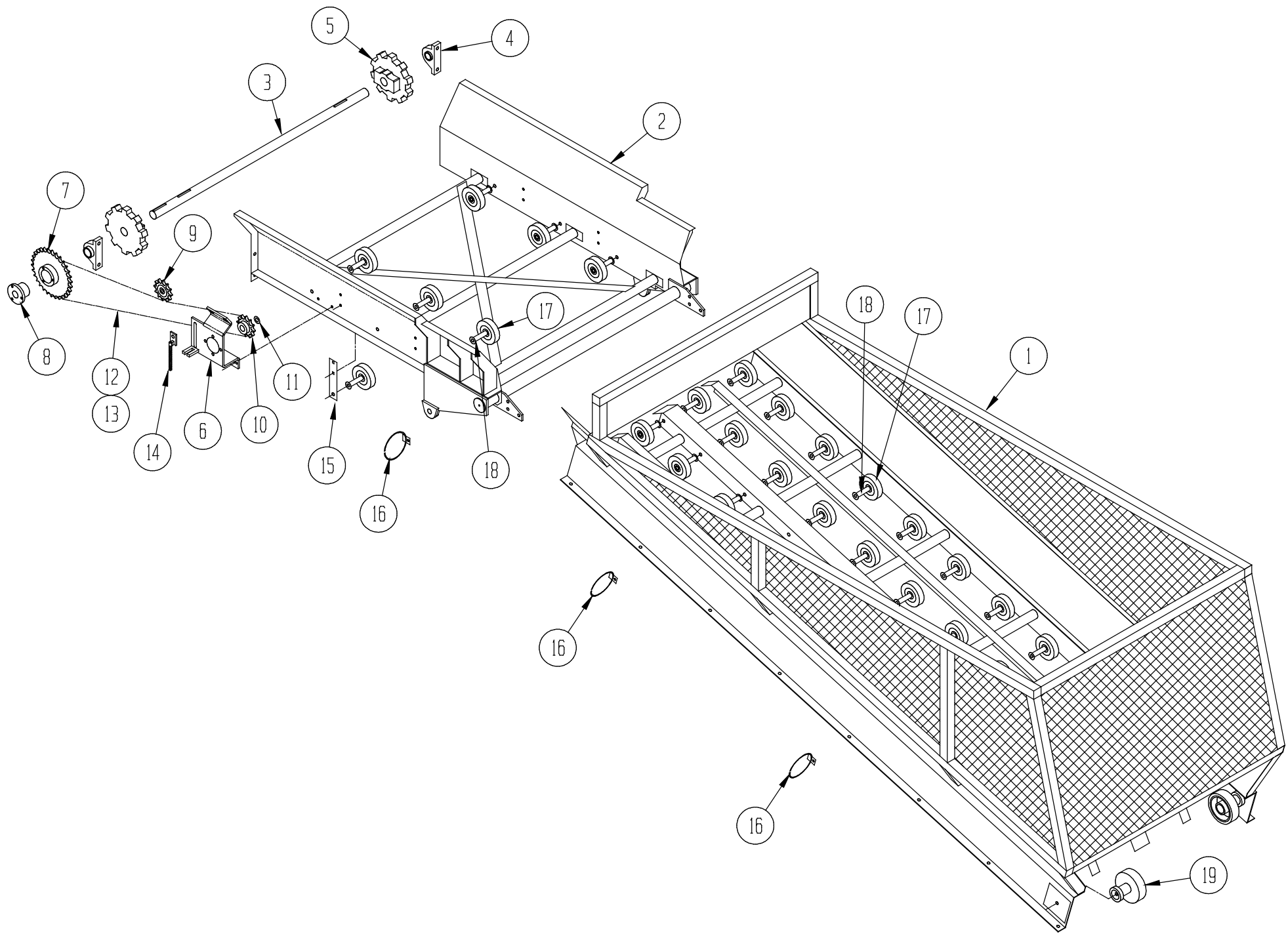
21





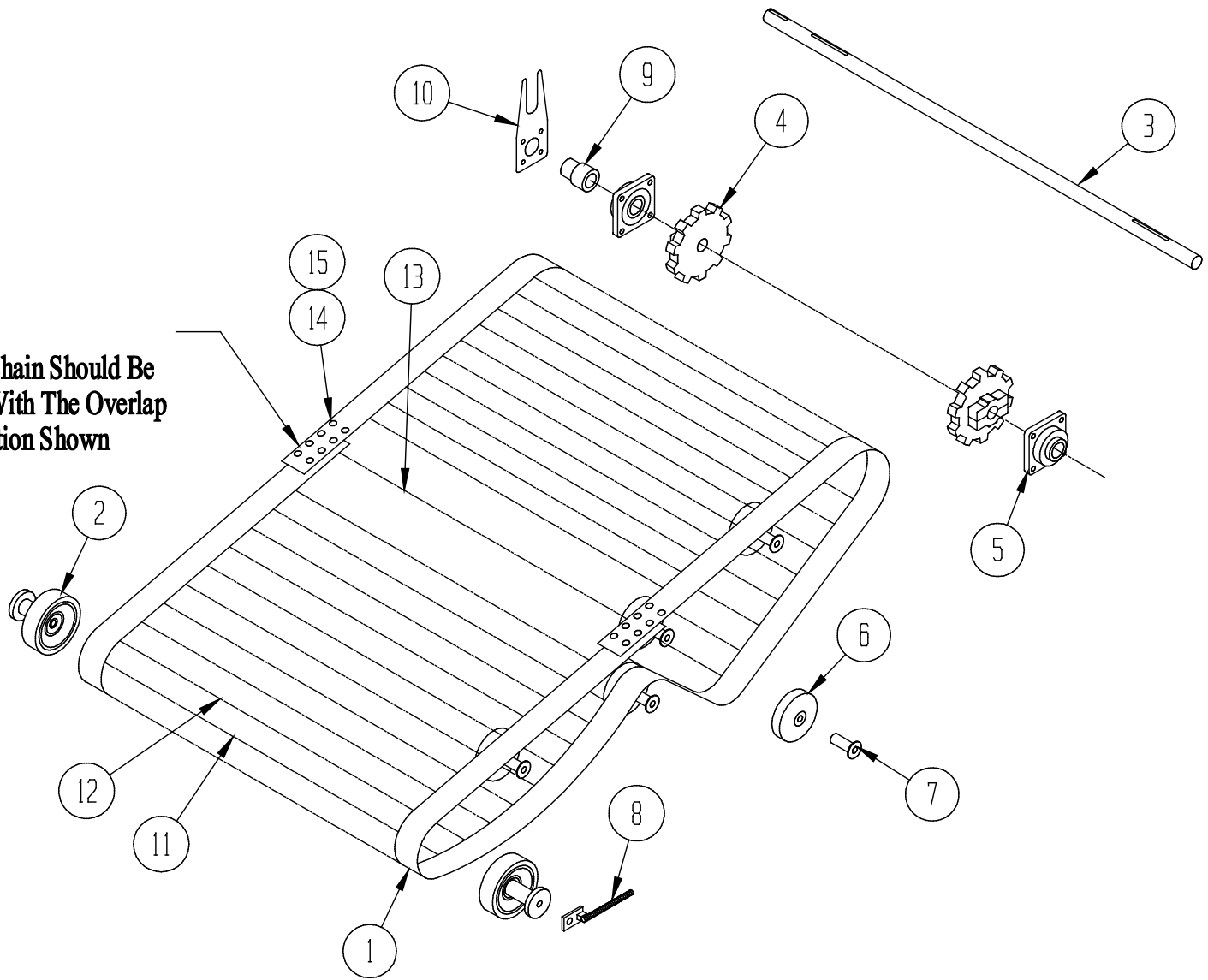
## HOPPER MOUNTING & ATTACHMENTS

ITEM NO.	QTY	PART NO. 2286	PART NO. 2288 SERIES	DESCRIPTION
1	1	268842	268132	Hopper Support
2	1	267756	267756	Cover, Valve Bank
3	1	267535	267535	Side Railing
4	1	267536	267536	Front Railing
5	1	267529	267529	Rear Railing, RH
6	1	268043	268043	Rear Railing, LH
7	1	267641	267641	Rear Extension, 24"
8	1	267640	267640	Front Extension, 24"
9	2	265150	265150	Roller, 5"
10	2	266935	266935	Stand Off, 3 5/8"
11	1	268818	268818	Belted Chain, 1/2 x 48 x 56 MM, 6 strts/1 up, (Includes Items #12, 13, & 14)
12	As Req'd	267774	267774	Chain Link, Straight w/ 1/4" Holes
	As Req'd	268899	268899	Chain Link, Offset Up w/ 1/4" Holes
13	As Req'd	998239	998239	Backing Plate w/ Threaded Holes
14	As Req'd	998240	998240	Hex Cap Screw, 1/4-28 x 1 1/4 Grd-8, with Lock Nut. <b>Note: Do Not Use Elastic Stop Nut.</b>
15	As Req'd	268195	268195	Chain Link, 48" Offset Up w/ Rivet Holes
16	AS Req'd	268196	268196	Chain Link, 48" Straight w/ Rivet Holes



## HOPPER ASSEMBLY

ITEM NO.	QUANTITY	PART NO.	DESCRIPTION
1	1	268447	Hopper Weldment
2	1	267895	Outer Boom Weldment
3	1	267726	Head Shaft
4	2	980028	Pillow Block Bearing, 1 3/4"
5	2	266620	Sprocket, 12T, 56 MM
6	1	267644	Motor Bracket
7	1	267295	Sprocket, 80Q 36 Tooth
8	1	980218	Bushing, Q1-1 3/4"
9	1	980751	Idler Sprocket, RC80 12T
10	1	980623	Sprocket, RC80 12T 1 1/4" Bore
11	1	-----	Fender Washer, 3/8 x 2" OD
12	68 Links	980912	Roller Chain, RC80
13	1	980927	Master Link, RC80
14	1	264084	Take-Up Bolt
15	4	290022	Roller Bracket
16	3	265953	Hose Ring
17	58	265150	Roller, 5"
18	58	265935	Stand Off, 3 5/8
19	2	267413	Roller, 6 1/2 x 1 7/8 (See Page 35)

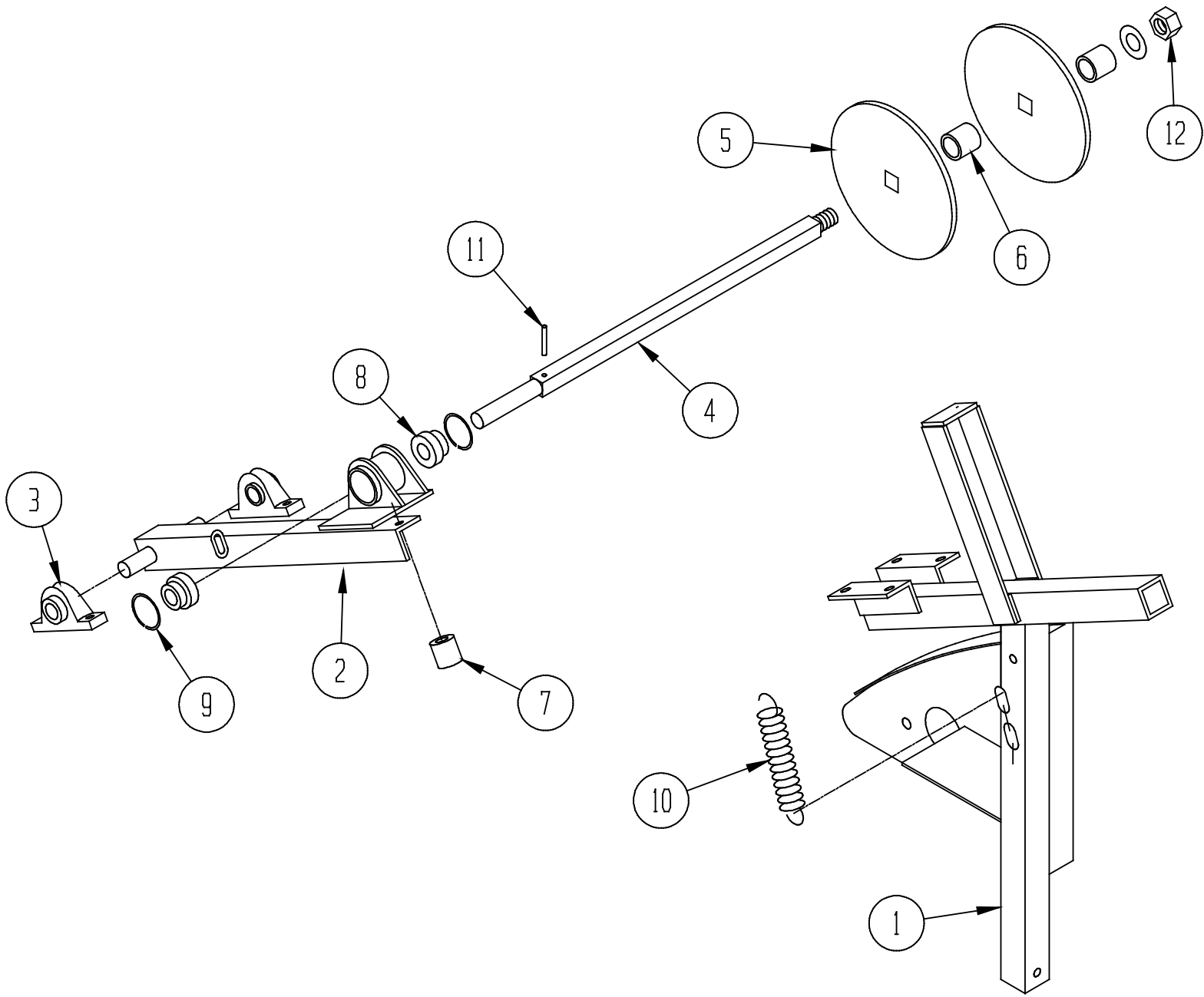


**Important!**  
**The Belted Chain Should Be**  
**Assembled With The Overlap**  
**In The Direction Shown**

### LOWER CONVEYOR ASSEMBLY

ITEM NO.	QUANTITY	PART NO.	DESCRIPTION
1	1	267577	Belted Chain 1/2 x 42 x 56MM, 6 str/1 up, (Includes Items 13, 14, & 15)
2	2	267413	Roller, 6 1/2 x 1 7/8 (See Page 35)
3	1	265344	Head Shaft
4	2	265731	Sprocket, 12T 56 MM
5	2	980124	Flanged Bearing, 4-Hole 1 3/8" Bore
6	12	265150	Roller, 5"
7	12	265935	Stand Off, 3 5/8"
8	2	264084	Take-Up Bolt
9	1	250081	Shaft Coupler
10	1	250090	Motor Mount
11	As Req'd	998606	Chain Link, Straight w/ Rivet Holes
12	As Req'd	998609	Chain Link, Offset Up w/ Rivet Holes
13	As Req'd	998238	Chain Link, Straight w/ 1/4" Holes
14	As Req'd	998239	Backing Plate w/ Threaded Holes
15	As Req'd	998240	Hex Cap Screw, 1/4-28 Grd-8, w/Lock Nut

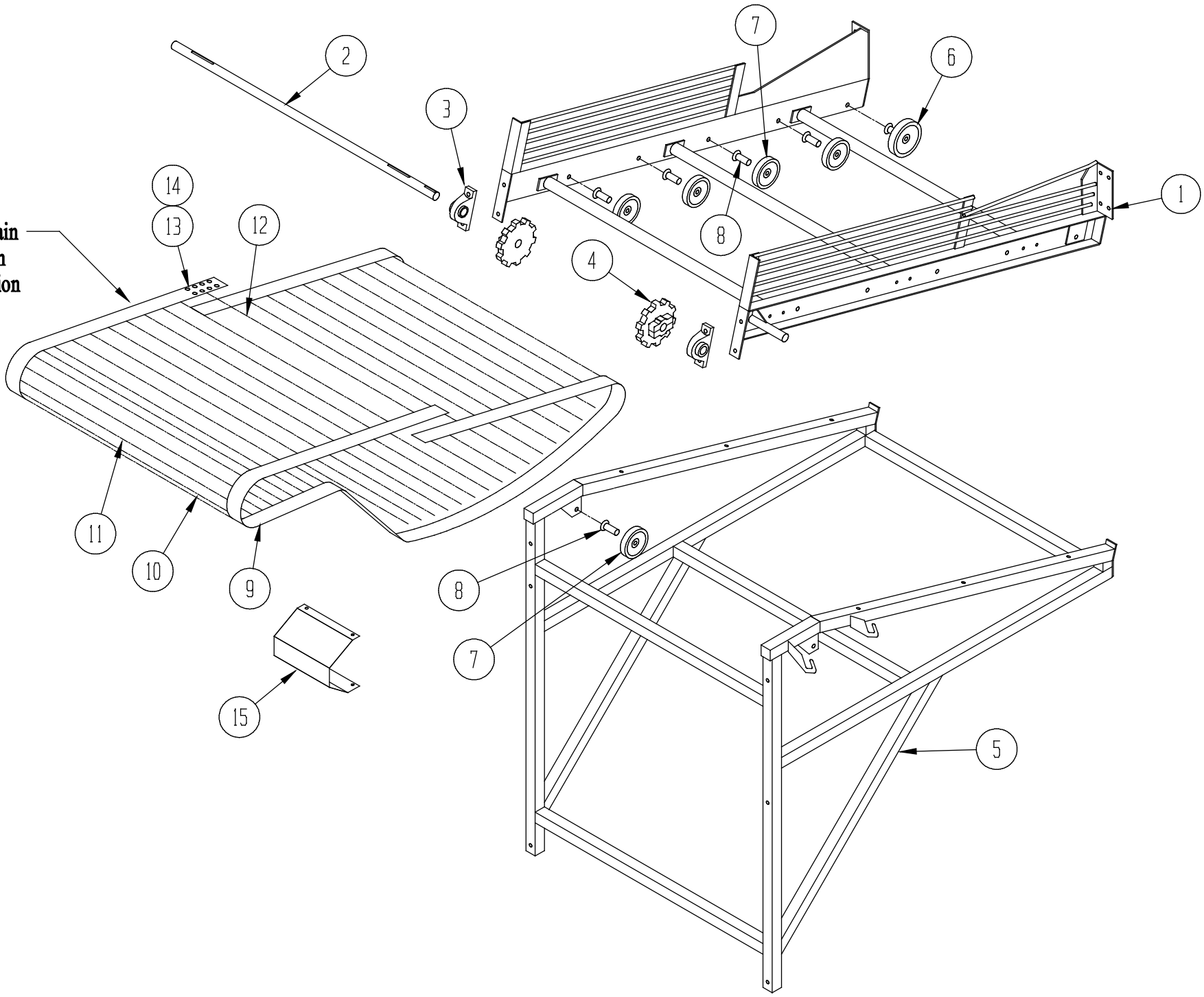
**Note: Do Not Use Elastic Stop Nut**



### ROLLER ARM & MOUNTING ASSEMBLY

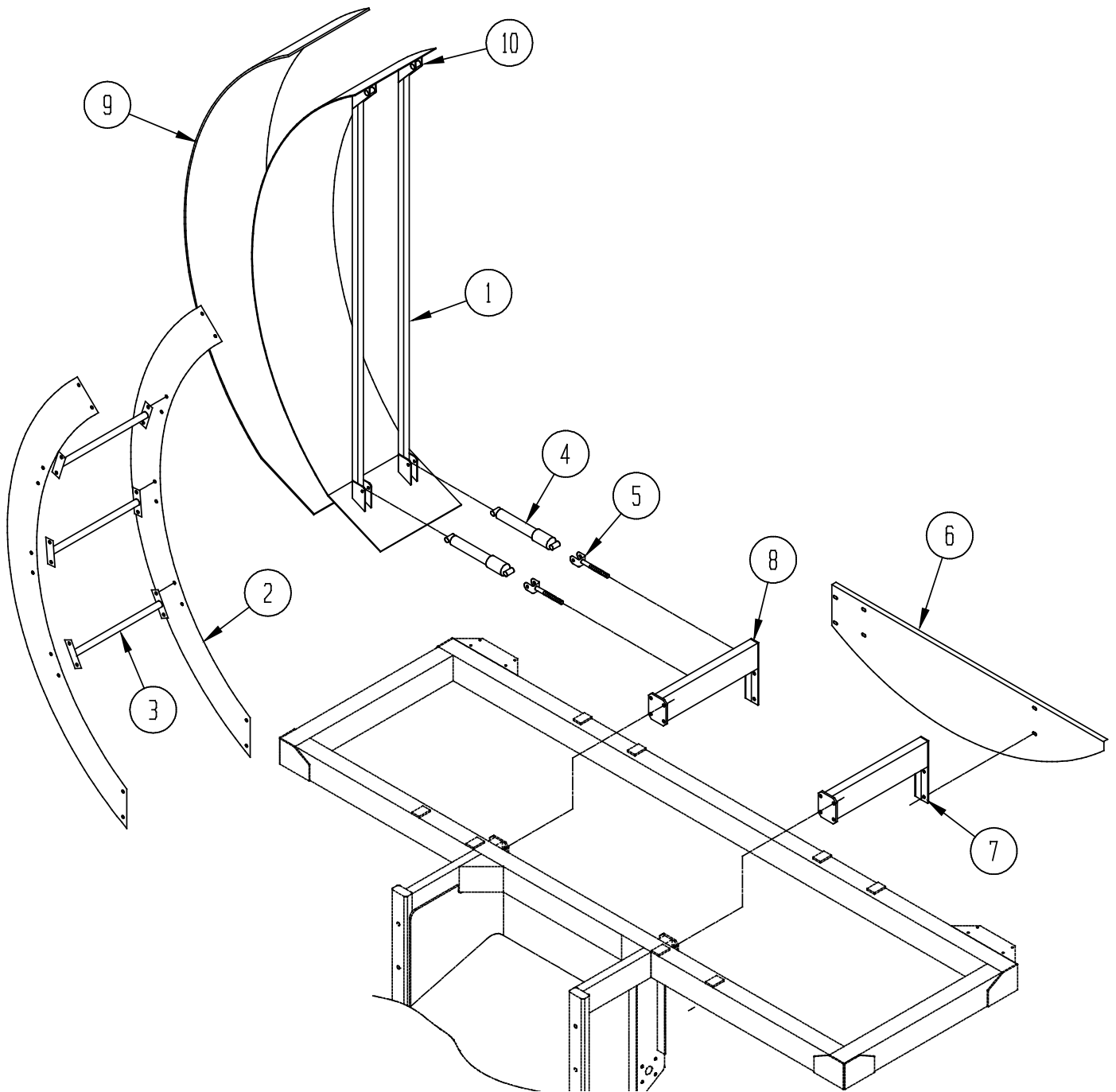
ITEM NO.	QUANTITY	PART NO.	DESCRIPTION
1	1	267591	Roller Mount
2	1	267595	Arm
3	2	980021	Pillow Block Bearing, 1"
4	1	267594	Roller Shaft
5	10	266765	Disk
6	9	266766	Spacer
7	1	266767	Rubber Bumper
8	2	980068	Bearing, 1"
9	2	998926	Snap Ring, N5000-206
10	1	991003	Spring
11	1	267295	Roll Pin, 1/4 x 2
12	1	-----	Hex Nut, 1" w/ Flat Washer & Lock Washer

**Important! The Belted Chain  
Should Be Assembled With  
The Overlap In The Direction  
Shown**



## UPPER CONVEYOR ASSEMBLY

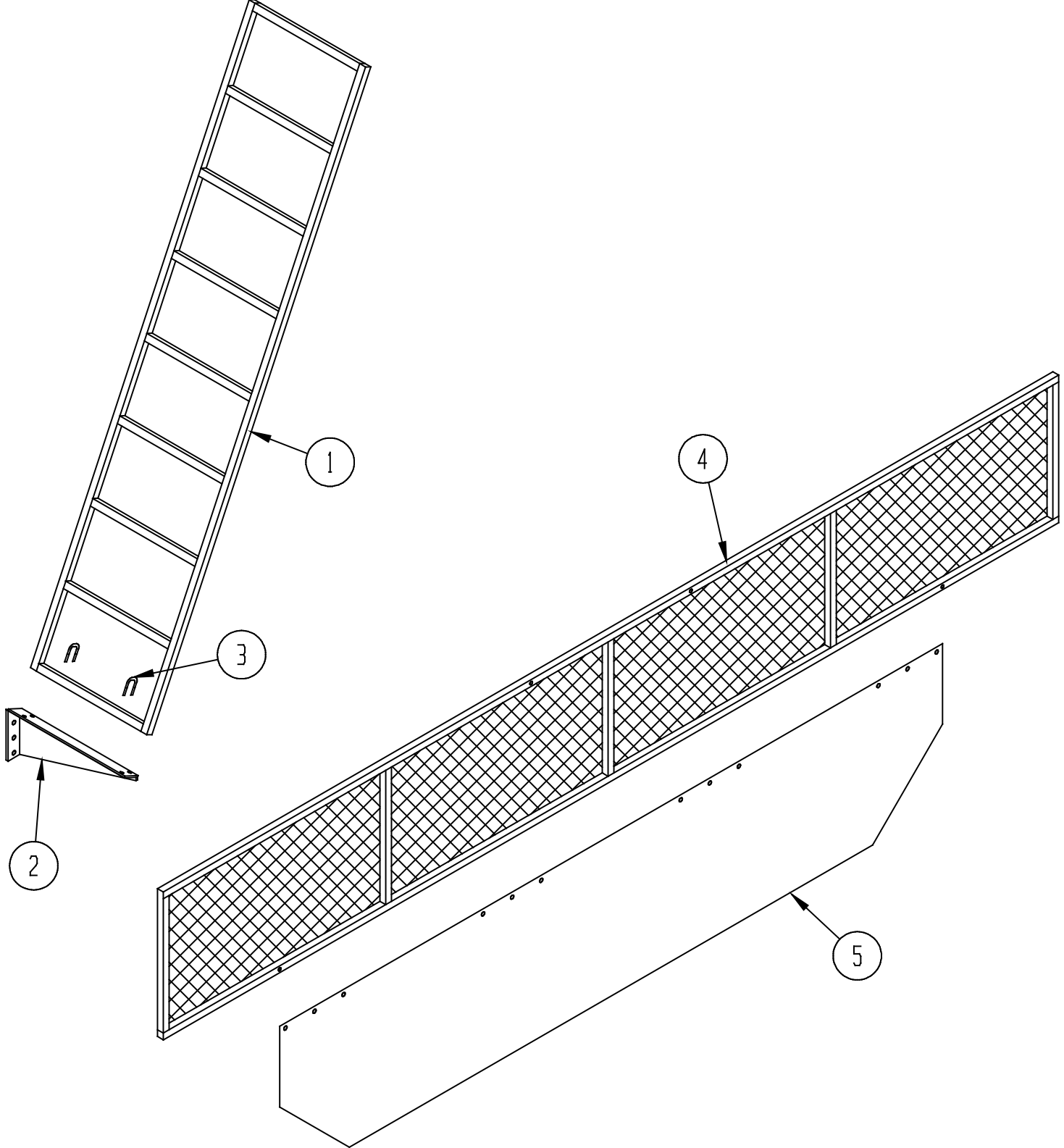
ITEM NO.	QUANTITY	PART NO.	DESCRIPTION
1	1	268053	Upper Conveyor Frame
2	1	267343	Head Shaft
3	2	980024	Pillow Block Bearing, 1 3/8"
4	2	265731	Sprocket, 12T 56MM
5	1	268060	Mounting Frame
6	2	268061	Roller, 6" Rubber
7	10	265150	Roller, 5"
8	10	265835	Stand Off, 3 5/8
9	1	267344	Belted Chain 1/2 x 48 x 56 MM, 6 str/1 up, (Includes Items #12, 13, & 14)
10	(As Req'd)	268195	Chain Link, 48" Offset Up w/ Rivet Holes
11	(As Req'd)	268196	Chain Link, 48" Straight w/ Rivet Holes
12	(As Req'd)	267774	Chain Link, 48" Straight w/ 1/4" Holes
13	(As Req'd)	998239	Backing Plate w/ Threaded Holes
14	(As Req'd)	998240	Hex Cap Screw, 1/4-28 x 1 1/4 Grd-8, with Lock Nut. <b>Note: Do Not Use Elastic Stop Nut.</b>
15	1	268042	Motor Cover



### RH SIDE CONTAINER & MOUNTING

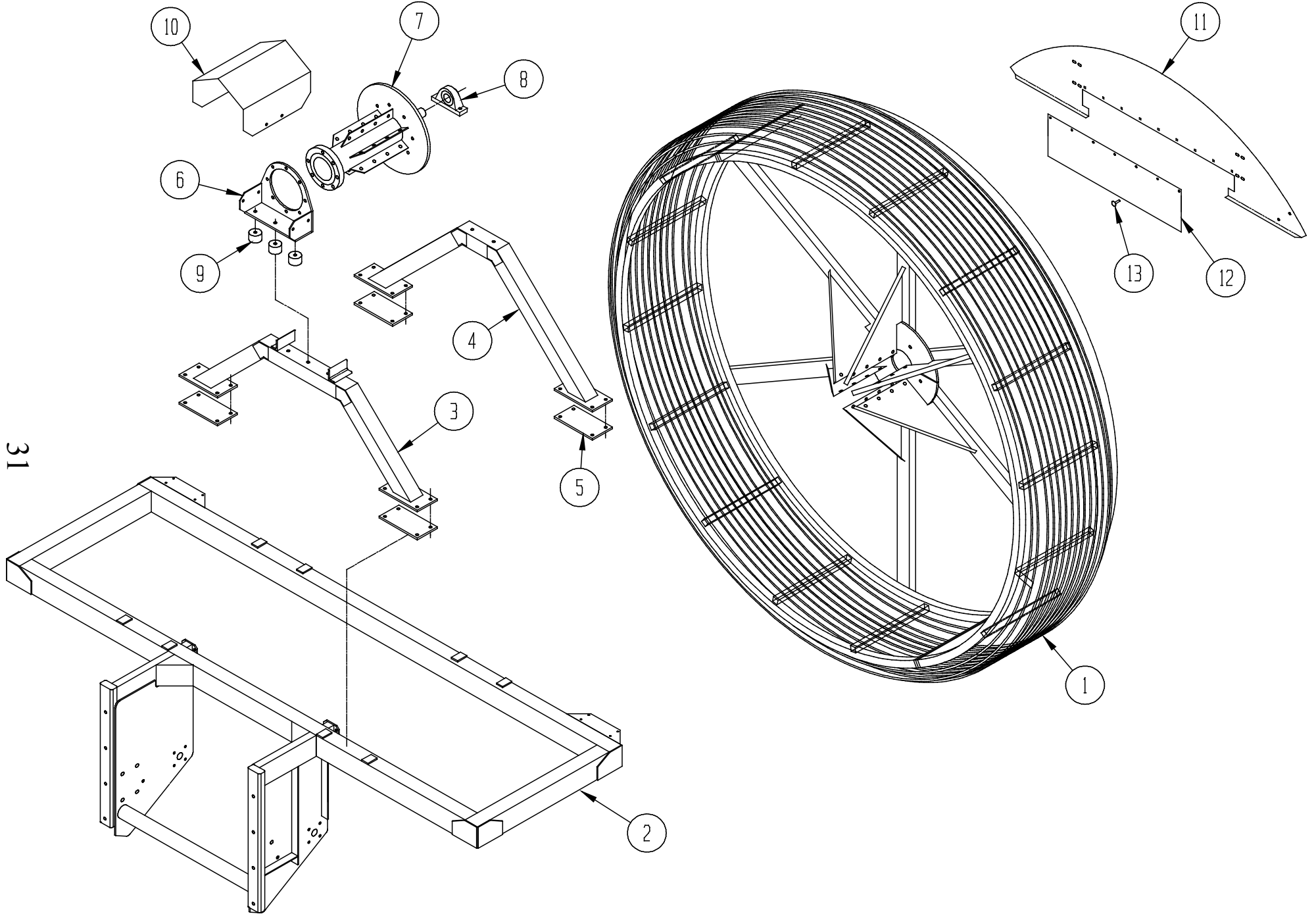
ITEM NO.	QUANTITY	PART NO.	DESCRIPTION
1	1	267579	Side Panel Weldment
2	1	267585	Side Container Panel
3	3	267586	Spreader
4	2	267599	Shock Absorber
5	2	267600	Draw Bolt
6	1	267558	Rear Panel
7	1	267553	LH Support
8	1	267556	RH Support
9	1	267580	Wear Panel
10	2	-----	Hex Bolt, 3/4 x 3 1/2, w/ Lock Nut





**WHEEL GUARD & LADDER**

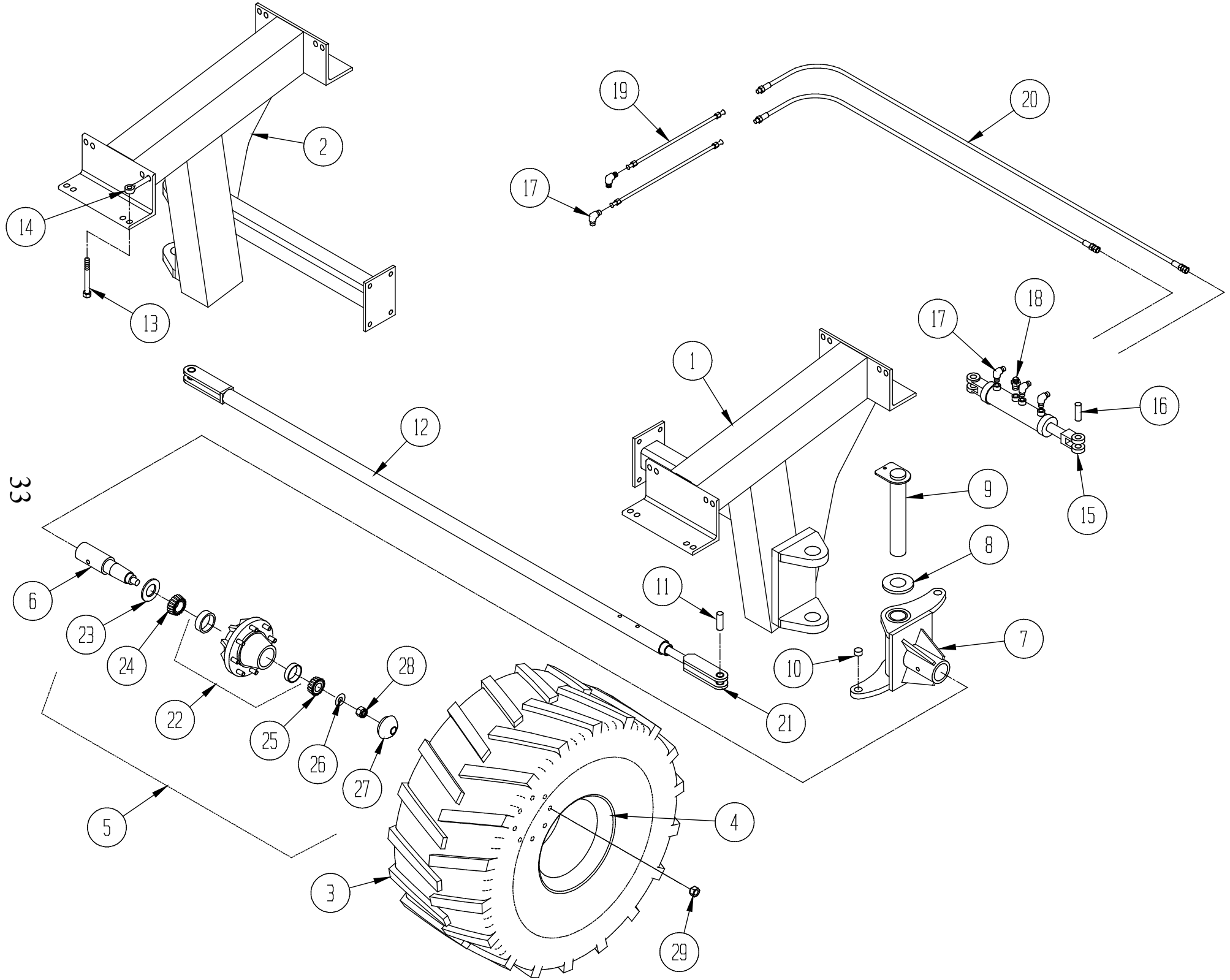
ITEM NO.	QUANTITY	PART NO.	DESCRIPTION
1	1	267329	Ladder
2	1	267596	Ladder Bracket
3	2	266520	U-Bolt
4	1	268073	Rear Screen Guard
5	1	268069	Rubber Guard



31

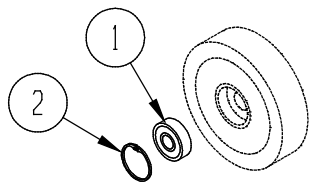
## WHEEL & MOUNTING ASSEMBLY

ITEM NO.	QUANTITY	PART NO.	DESCRIPTION
1	1	267542	Wheel
2	1	267547	Mounting Frame
3	1	267567	Front Support
4	1	267563	Rear Support
5	4	266689	Mounting Pad
6	1	267543	Planetary Mount
7	1	267570	Pivot Tube
8	1	268052	Pillow Block, 2 3/16 Triple Seal
9	3	265134	Spring Cushion
10	1	268041	Planetary Cover
11	1	267561	Rear Top Panel
12	1	267790	Rubber Flap
13	7	-----	Elevator Bolt, 3/8 x 1

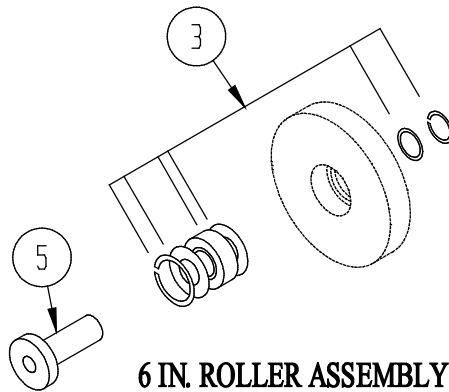


## STEERABLE REAR WHEELS

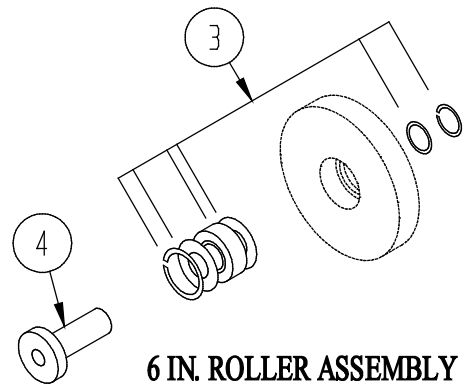
ITEM NO.	QTY	PART NO.	PART NO.	DESCRIPTION
		2286	2288 SERIES	
1	1	268162	268144	LH Floatation Strut
2	1	268163	268160	RH Floatation Strut
3	2	268113	268113	Tire, 21.5-16.1 Power Implement
4	2	701351	701351	Wheel Rim, 16.1 x 18
5	2	701283	701283	Hub Asm, Complete (Includes Lug Nuts)
6	2	268834	268834	Spindle
7	2	268138	268138	Spindle Housing
8	2	268159	268159	Wear Washer
9	2	268150	268150	Pivot Pin
10	4	990251	990251	Bushing
11	2	523163	523163	Pin
12	1	264405	267211	Tie Rod Assembly, Complete
13	16	-----	-----	Hex Cap Screw, 3/4 x 8 1/2
14	16	997903	997903	Eye Bolt, 3/4 x 6 1/2
15	1	265226	265226	Double Cylinder
16	2	265254	265254	Cylinder Pin
17	7	C5515-8-8	C5515-8-8	Male Elbow
18	1	C5315-8-8	C5315-8-8	Straight Thread Connector
19	4	267927	267927	Hydraulic Tube Assembly
20	4	-----	-----	Hydraulic Hose, 1/2 100R2 x 60 w/ 1/2 JIC Male Rigid & Female Swivel Hose Ends
21	1	250098	250098	Tie Rod End
22	2	-----	-----	Hub w/ Cups
23	2	701884	701884	Seal
24	2	701882	701882	Inner Cone
25	2	701883	701883	Outer Cone
26	2	268202	268202	Washer, 1"
27	2	701886	701886	Hub Cap
28	2	268201	268201	Castle Nut, 1"



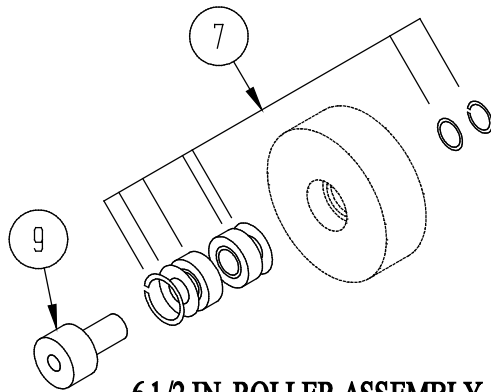
**5 IN. ROLLER ASSEMBLY  
PART #265150**



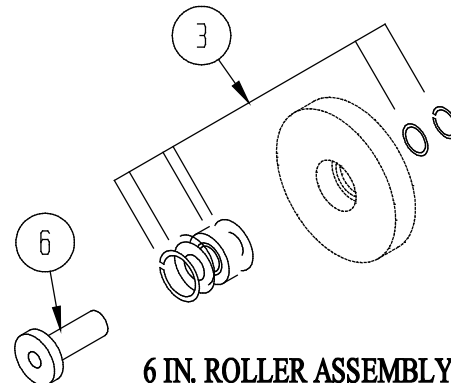
**6 IN. ROLLER ASSEMBLY  
PART #265719**



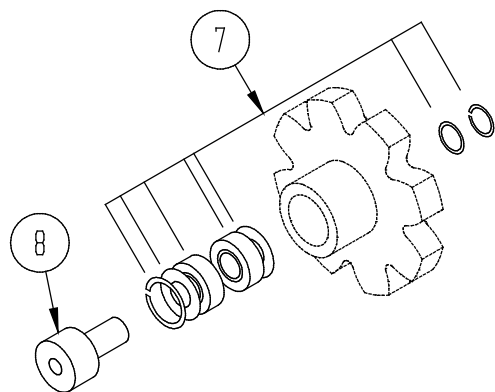
**6 IN. ROLLER ASSEMBLY  
PART #266494**



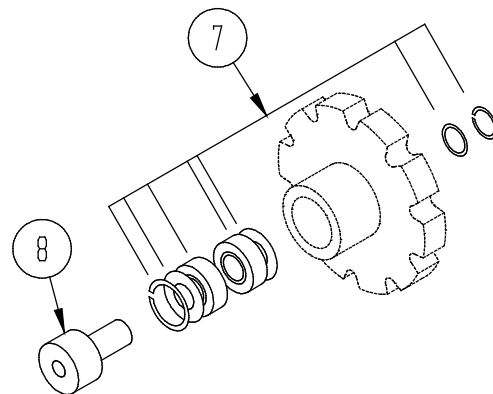
**6 1/2 IN. ROLLER ASSEMBLY  
PART #267413**



**6 IN. ROLLER ASSEMBLY  
PART #265718**



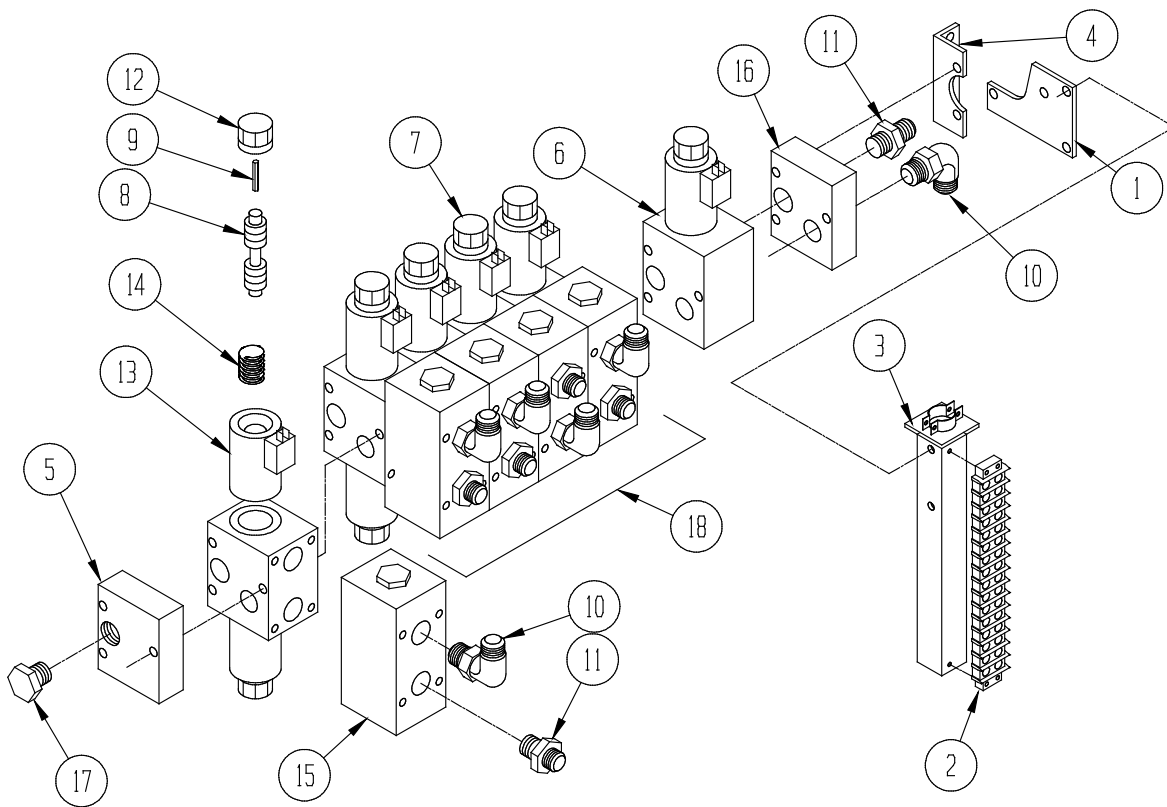
**IDLER SPROCKET ASSEMBLY 8T 56MM  
PART #266119**



**IDLER SPROCKET ASSEMBLY 10T 50MM  
PART #266120**

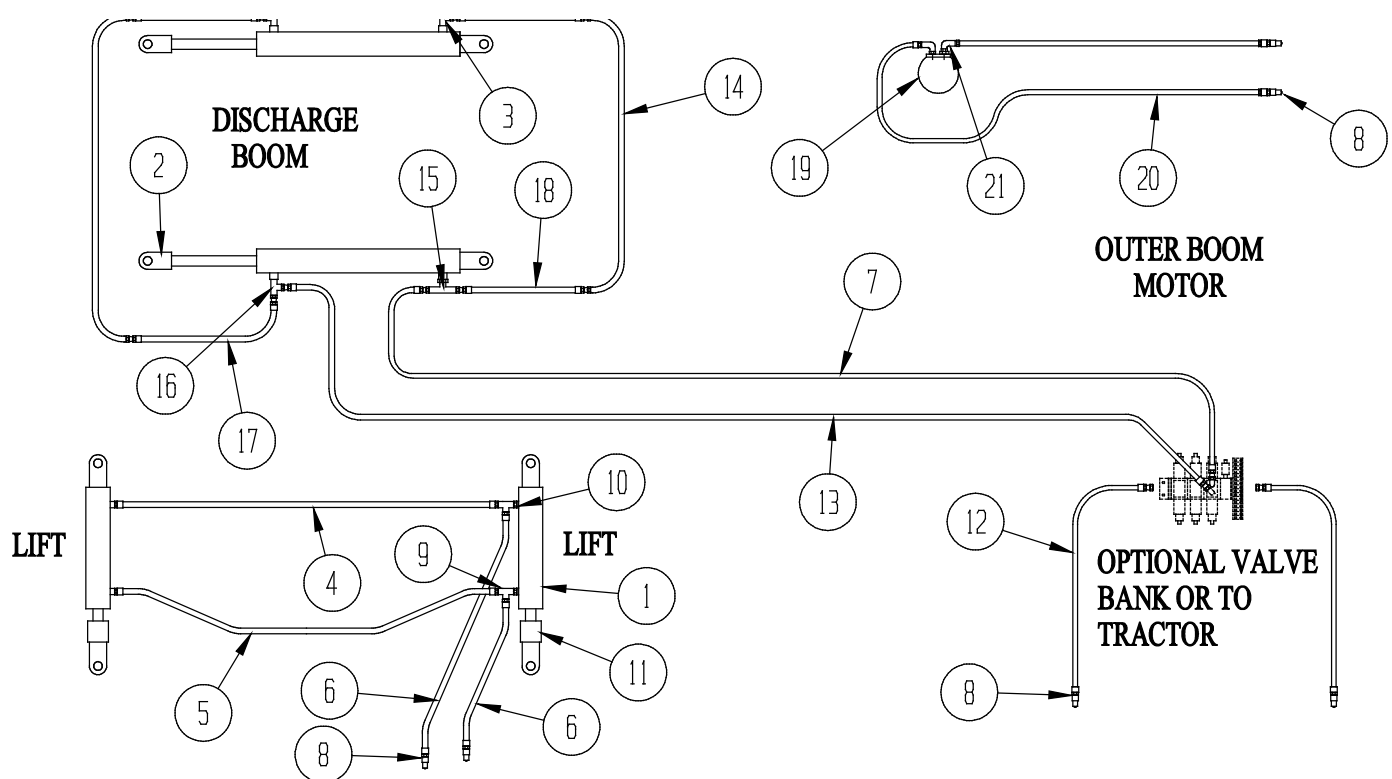
### ROLLERS & IDLER SPROCKETS

ITEM NO.	QUANTITY PER ROLLER	PART NO.	DESCRIPTION
1	1	980081	Bearing, 5/8
2	1	998946	Snap Ring
3	1	265957	Bearing Repair Kit
4	1	267172	Stub Shaft, GB2 w/ 3" Base
5	1	265955	Stub Shaft, J2
6	1	265956	Stub Shaft, D2
7	1	265959	Bearing Repair Kit
8	1	265960	Stub Shaft w/ 3" Base
9	1	267415	Stub Shaft w/ 3" Base



**VALVE BANK ASSEMBLY**  
 265727 4-Bank Valve Assembly  
 265726 3-Bank Valve Assembly  
 265725 2-Bank Valve Assembly

ITEM NO.	QUANTITY	PART NO.	DESCRIPTION
1	1	265843	Mounting Plate
2	1	264713	16 Wire Terminal Block
3	1	264709	Terminal Mounting Bracket
4	1	265847	Bolt/Mounting Kit (2-Bank)
	1	265848	Bolt/Mounting Kit (3-Bank)
	1	265849	Bolt/Mounting Kit (4-Bank)
5	1	265846	End Plate
6	1	265844	Un-loader Valve
7	As Req'd	265845	Work Valve
8	As Req'd	265979	Spool
9	As Req'd	265980	Push Pin
10	As Req'd	295043	Straight Thread Elbow 1/2 x 1/2 O-Ring
11	As Req'd	295024	Straight Thread Connector 1/2 x 1/2 O-Ring
12	As Req'd	265981	Retainer Cap
13	As Req'd	265982	Solenoid Coil
14	As Req'd	265983	Spring
15	As Req'd	265850	P.O. Check
16	1	265964	Inlet Plate
17	1	295096	O-ring Plug, 1/2
18	1	265840	2-Bank Valve Asm W/out Fittings
	1	265841	3-Bank Valve Asm W/out Fittings
	1	265842	4-Bank Valve Asm W/out Fittings

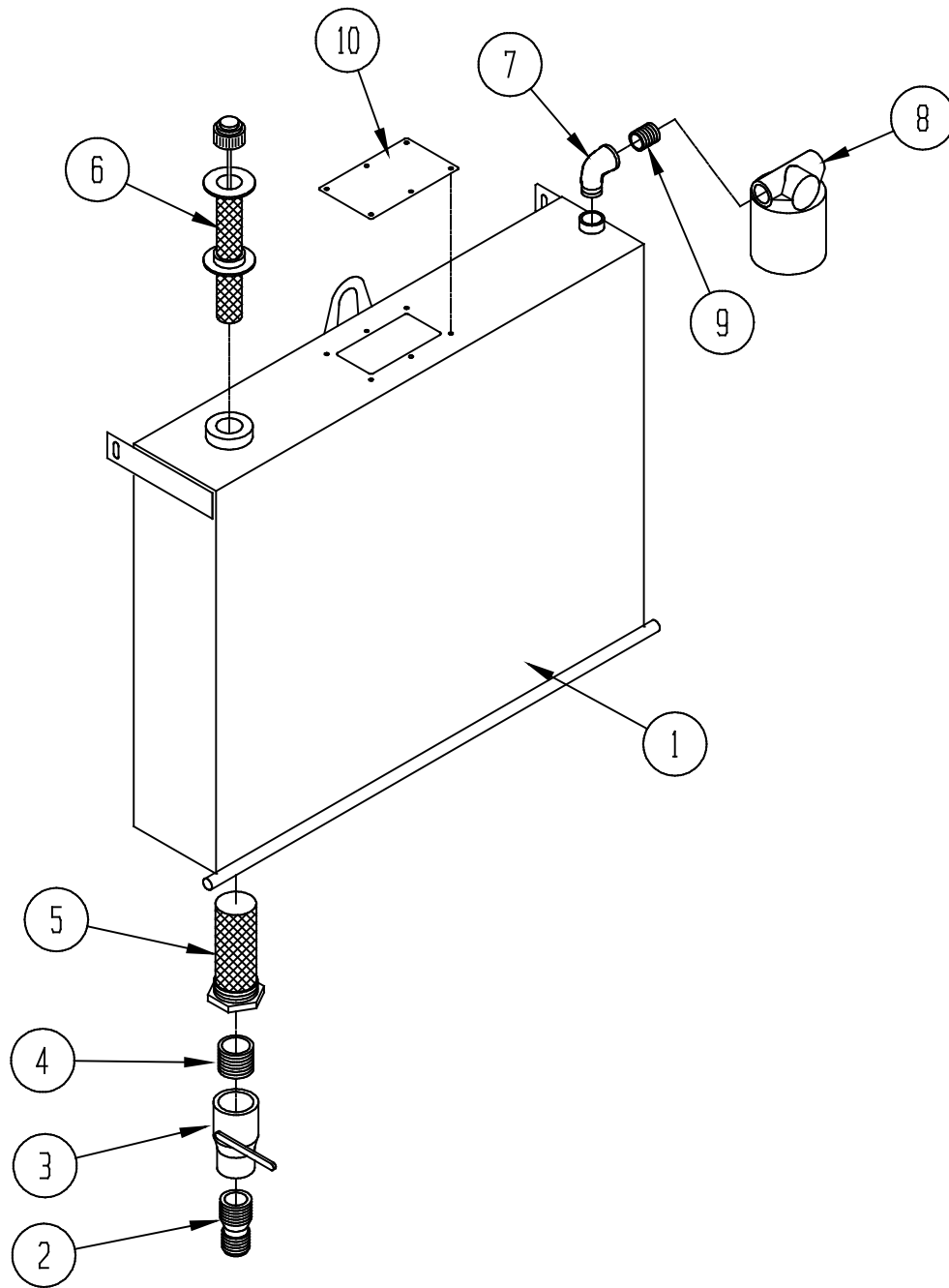


**HYDRAULIC SCHEMATIC (Cylinders & Outer Boom)**

ITEM NO.	QUANTITY	PART NO.	DESCRIPTION
1	2	267835	Hydraulic Cylinder 3 x 8 w/ Hardened Clevis
2	2	300086	Hydraulic Cylinder 2 1/2 x 24
3	2	C5405-8-8	Male Elbow, 90° x 1/2 O-Ring
4	1	-----	Hyd. Hose, 1/2 100R2 x 41 w/ 1/2 JIC M & F Ends
5	1	-----	Hyd. Hose, 1/2 100R2 x 51 w/ 1/2 JIC M & F Ends
6	1	-----	Hyd. Hose, 1/2 100R2 x 144 w/ 1/2 JIC M Ends
7	1	-----	Hyd. Hose, 1/2 100R2 x 102 w/ 1/2 JIC F Ends
8	6	291027	Quick Coupler, 1/2 Male
9	2	C5705-8	Union Tee, 1/2 JIC
10	2	C5315-8	Connector, 1/2 x 1/2 O-Ring
11	2	522012	Stroke Control Kit
12	1	-----	Hyd. Hose, 1/2 100R2 x 192 w/ 1/2 Male Pipe Rigid & F JIC Swivel Ends
13	1	-----	Hyd. Hose, 1/2 100R2 x 128 w/ 1/2 JIC F Ends
14	2	266160	Hydraulic Tube Asm
15	1	C5715-8	Straight Thread Branch Tee, 1/2 JIC
16	1	C5716-8	Straight Thread Run Tee, 1/2 JIC
17	2	-----	Hyd. Hose, 1/2 100R2 x 48 w/1/2 JIC M Rigid & F Swivel Ends
18	2	-----	Hyd. Hose, 1/2 100R2 x 75 w/1/2 JIC M Rigid & F Swivel Ends
19	1	300073	Hydraulic Motor
20	2	-----	Hyd/ Hose, 3/4 100R2 x 384 w/ 1/2 JIC M Rigid & F Swivel Ends
21	2	C5515-12	Straight Thread Elbow

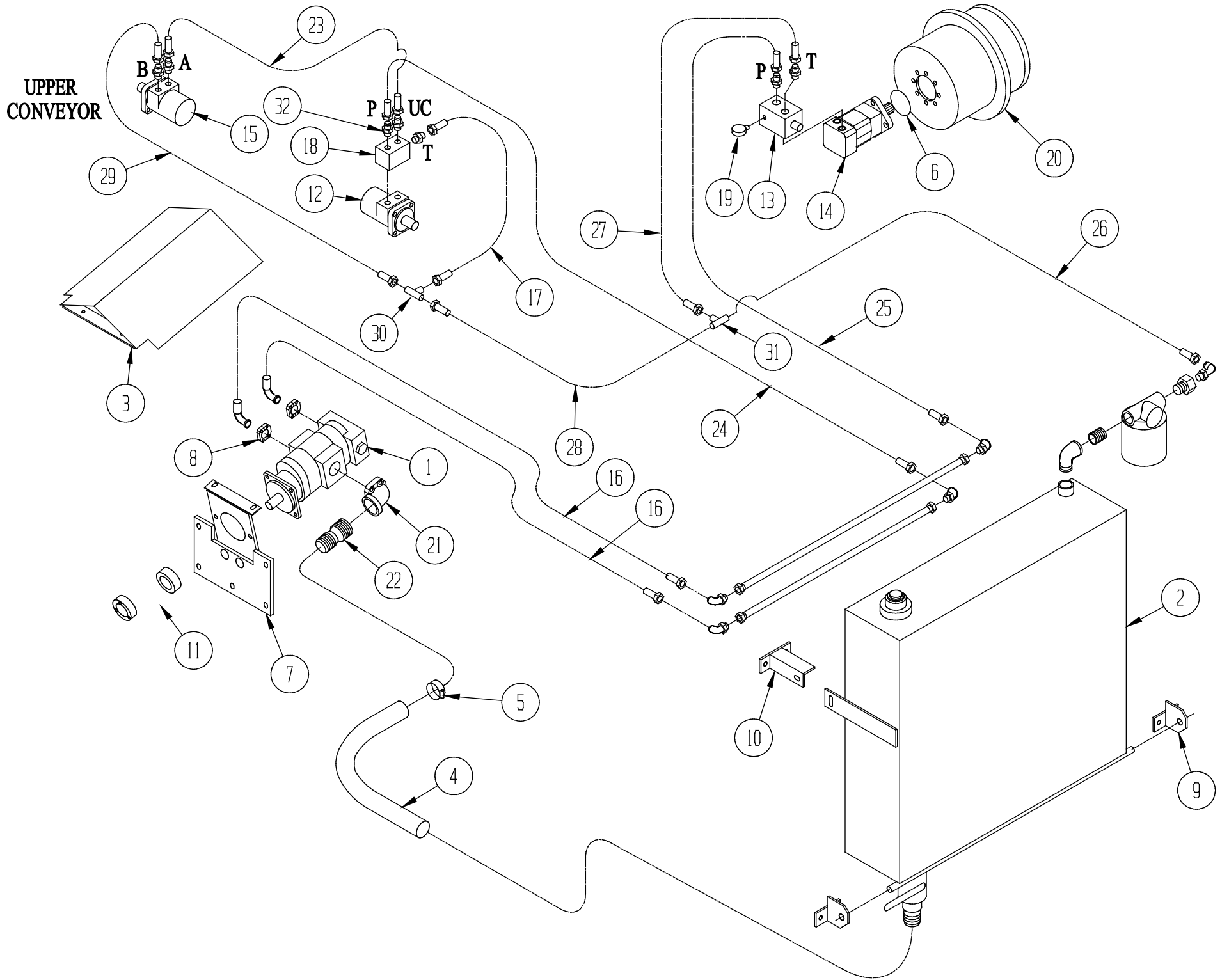
**\*Please specify brand of cylinder involved when ordering seal kits.**





**HYDRAULIC RESERVOIR ASSEMBLY**  
(Self Contained Hydraulic Option)

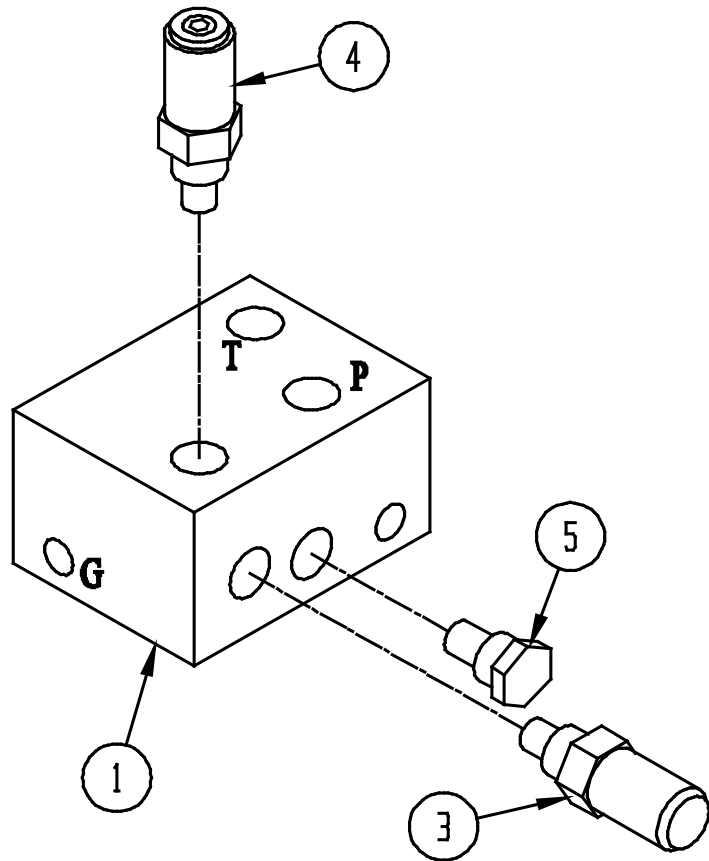
ITEM NO.	QUANTITY	PART NO.	DESCRIPTION
1	1	267967	Hydraulic Reservoir
2	1	290115	King Nipple, 2"
3	1	264071	Ball Valve, 2"
4	1	-----	Pipe Nipple, 2" NPT
5	1	264069	Suction Strainer
6	1	250117	Filter Cap Assembly
7	1	-----	Street Ell, 1 1/4 x 90
8	1	290330	Filter and Head Assembly
	1	290199	Filter Element Only, 10 Micron
9	1	-----	Pipe Nipple, 1 1/4" NPT
10	1	267011	Access Lid



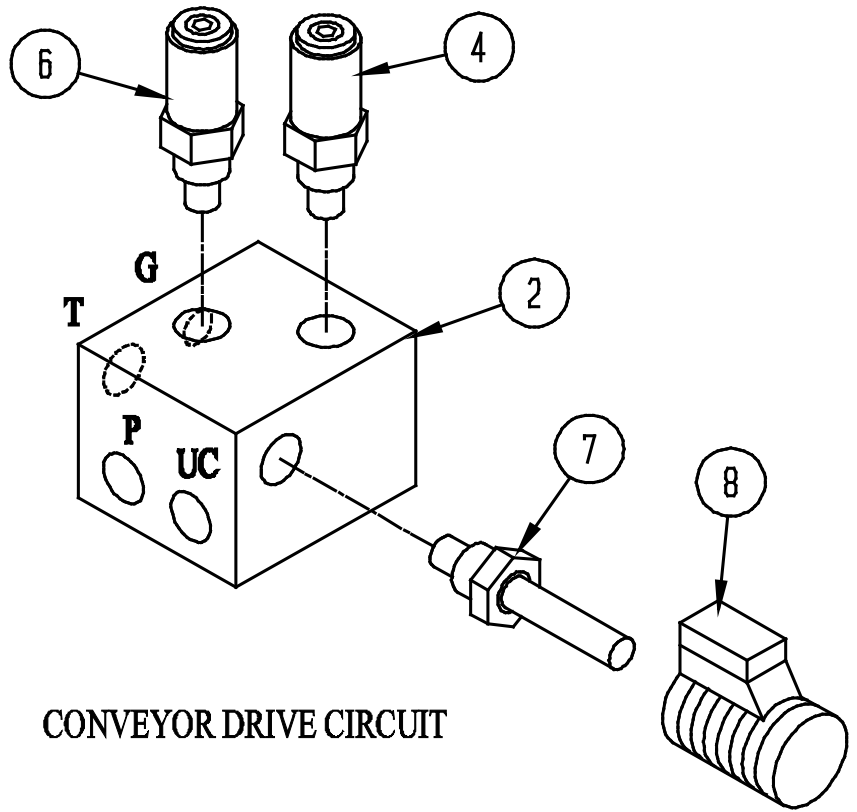
## HYDRAULIC SCHEMATIC

### (Wheel & Conveyor Drives)

ITEM NO.	QUANTITY	PART NO.	DESCRIPTION
1	1	268367	Hydraulic Pump
2	1	268182	Hydraulic Reservoir Assembly
3	1	267720	Pump Cover
4	1	902123	Suction Hose, 2" x 110"
5	2	264833	Hose Clamp
6	1	267788	O-Ring
7	1	267717	Pump Bracket
8	2	265393	Split Flange Kit, Series 61
9	2	267975	Bottom Bracket
10	2	267714	Top Bracket
11	1	268364	Coupling, Inner-Locking 1 1/4 to 1 3/4"
	1	QF25BInsert	Coupling Insert
	1	QF25X 1 1/4"	Pump Coupler Half
	1	QF25X 1 3/4"	Gear box Coupler Half
12	1	268171	Hydraulic Motor
13	1	268172	Manifold Assem, Wheel Circuit (See Page 41)
14	1	267701	Hydraulic Motor, Wheel
15	1	268170	Hydraulic Motor, Upper Conveyor
16	2	-----	Hydraulic Hose, 3/4 SAE 100R2 w/ 90° Split Flange & 3/4 JIC Female Swivel Hose Ends
17	1	-----	Hydraulic Hose, 1/2 SAE 100R2 w/1/2 JIC Female Swivel Hose Ends
18	1	268180	Manifold Assembly, Conv. Circuit (See Page 41)
19	2	700890	Pressure Gauge, 5000 PSI
20	1	267435	Planetary Gear Drive
21	1	266213	Elbow
22	1	290115	King Nipple, 2"
23	1	-----	Hydraulic Hose, 1/2 SAE 100R2 w/ 1/2 JIC Female Swivel Hose Ends
24	1	-----	Hydraulic Hose, 1/2 SAE 100R2 w/ 1/2 JIC Female Swivel & 1/2-3/4 Female Swivel Hose Ends
25	1	-----	Hydraulic Hose, 1/2 SAE 100R2 w/ 1/2 JIC Female Swivel & 3/4 Female Swivel Hose Ends
26	1	-----	Hydraulic Hose, 3/4 SAE 100R2 w/ 3/4 JIC Female Swivel Hose Ends
27	1	-----	Hydraulic Hose, 1/2 SAE 100R2 w/ 1/2 JIC Female Swivel & 3/4 Female Swivel Hose Ends
28	1	-----	Hydraulic Hose, 1/2 SAE 100R2 w/ 1/2 JIC Female Swivel & 3/4 Female Swivel Hose Ends
29	1	-----	Hydraulic Hose, 1/2 SAE 100R2 w/ 1/2 JIC Female Swivel Hose Ends
30	1	C5705-8	Union Tee, 1/2 JIC
31	1	C5705-12	Union Tee, 3/4 JIC
32	7	C5315-8-10	Straight Thread Connector



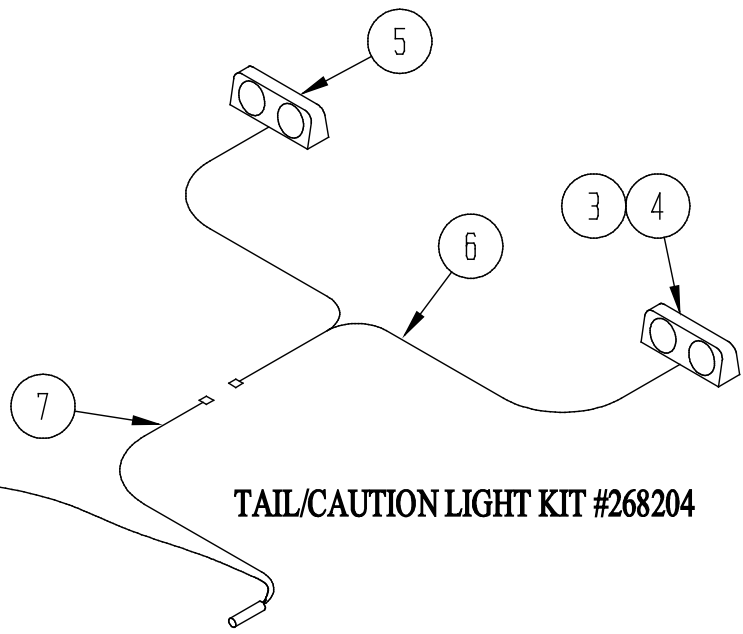
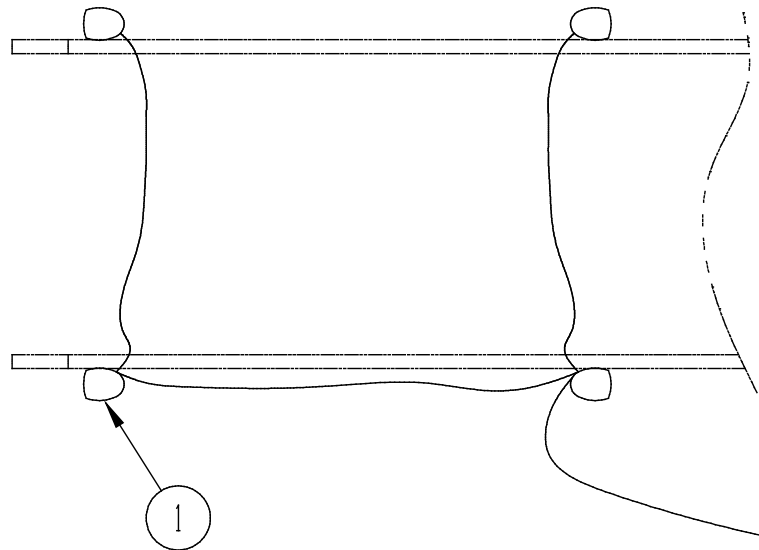
WHEEL DRIVE CIRCUIT



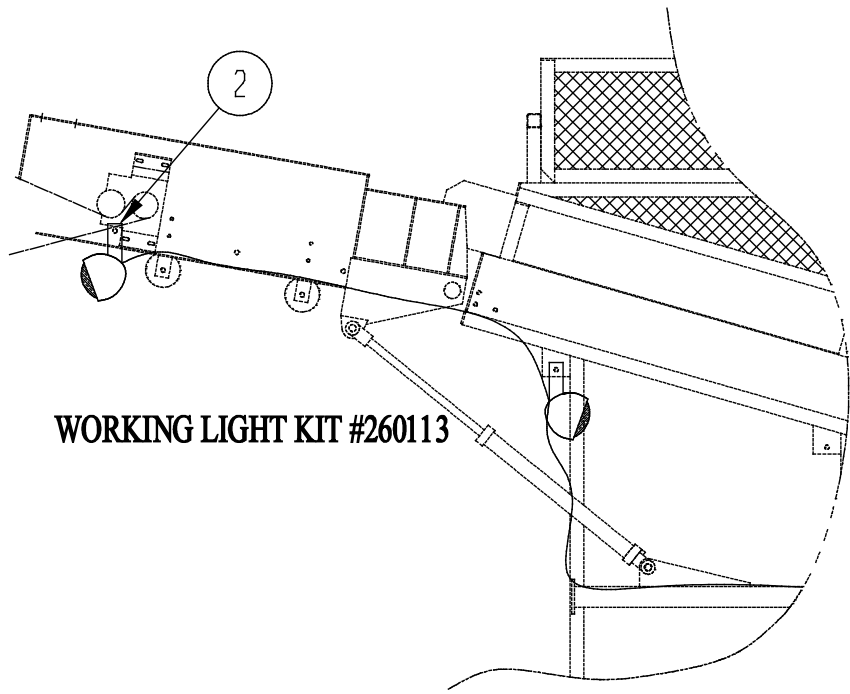
CONVEYOR DRIVE CIRCUIT

### HYDRAULIC MANIFOLD ASSEMBLIES

ITEM NO.	QUANTITY	PART NO.	DESCRIPTION
1	1	268173	Manifold, Wheel Circuit
2	1	268177	Manifold, Conveyor Circuit
3	1	267698	Relief Valve Cartridge, 3000 PSI
4	2	268178	Flow Control Valve Cartridge
5	1	268179	Check Valve Cartridge
6	1	267699	Relief Valve Cartridge, 1500 PSI
7	1	267703	Solenoid Valve Cartridge
8	1	267704	Coil



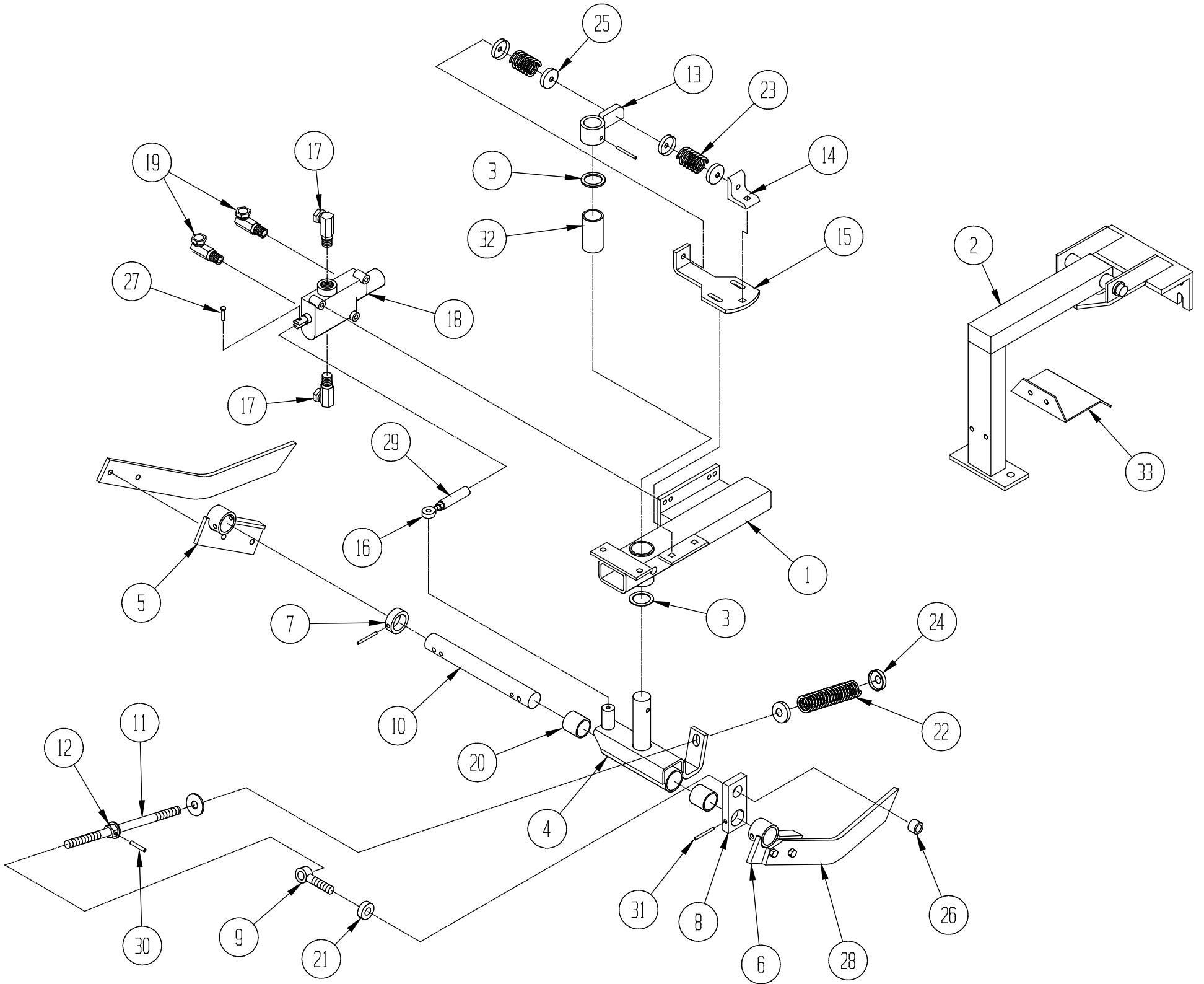
**TAIL/CAUTION LIGHT KIT #268204**



**WORKING LIGHT KIT #260113**

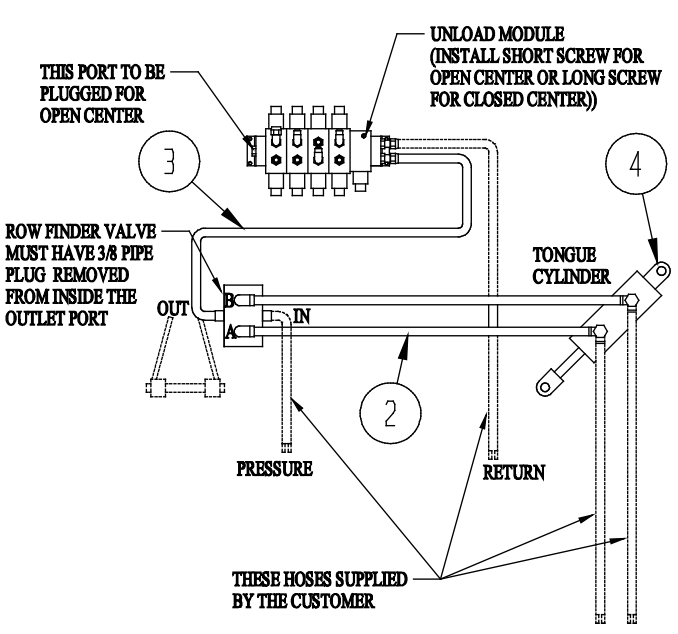
**LIGHTING KITS**

<b>ITEM NO.</b>	<b>QUANTITY</b>	<b>PART NO.</b>	<b>DESCRIPTION</b>
1	4	265337	Light Assembly
2	4	250111	Mounting Bracket
3	4	521277	Light Bulb #1157
4	1	521271	Dual Light, LH
5	1	521272	Dual Light, RH
6	1	521275	Wishbone Rear Harness
7	1	521274	Straight Harness, 7 Pin

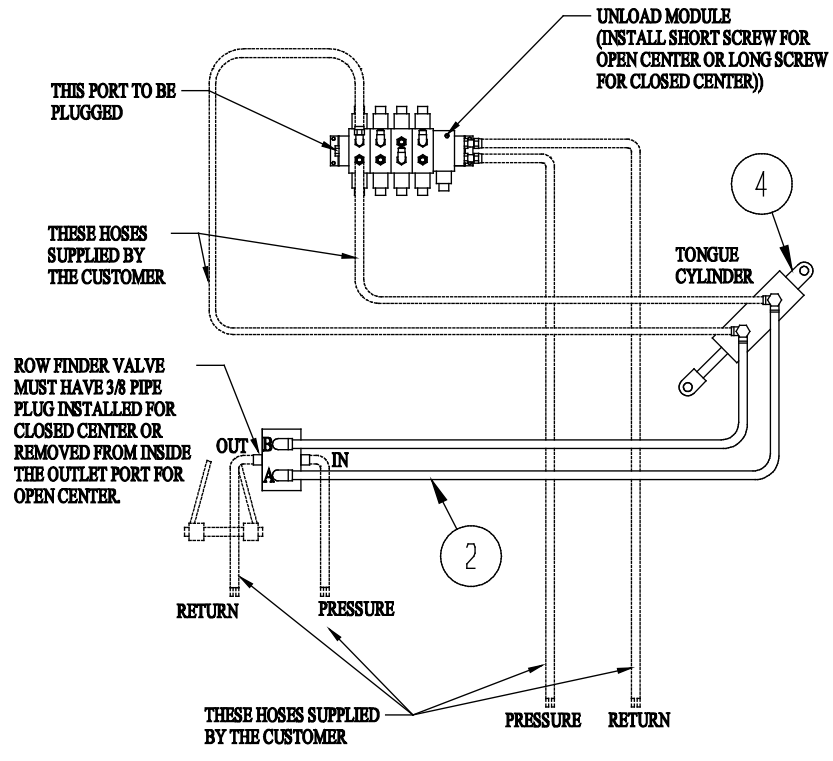


**ROW FINDER ASSEMBLY**  
(#267980)

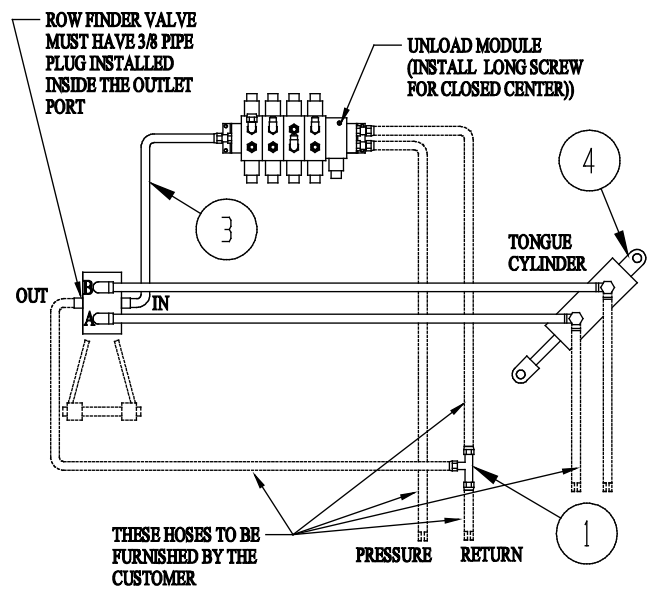
ITEM NO.	QUANTITY	PART NO.	DESCRIPTION
1	1	266468	Row Finder Body
2	1	267977	Mounting Arm
3	3	998423	Shim
4	1	998236	Control Arm
5	1	998227	Collar (RH)
6	1	998225	Collar (LH)
7	1	998210	Set Collar
8	1	998211	Link Arm Plate
9	1	998607	Rod End Take-up Bolt
10	1	998212	Guide Arm Shaft
11	1	998487	Tension Bolt
12	1	998492	Adjusting Nut
13	1	998484	Control Arm Headpiece
14	1	998490	Tension Plate Bracket
15	1	998483	Tension Plate
16	1	300082	Male Rod End
17	2	2107-12-6	Swivel Elbow, 90° X 3/4 Male x 3/8 Female Pipe
18	1	903018	Control Valve
19	2	2107-8-6	Swivel Elbow, 90° X 1/2 Male x 3/8 Female Pipe
20	2	890020	Sleeve Bearing
21	1	998214	Spacer
22	1	998494	Compression Spring
23	2	998493	Compression Spring
24	2	890358	Expansion Plug
25	4	890357	Expansion Plug
26	1	998215	Bushing
27	1	-----	Roll Pin 3/16 x 1
28	2	998224	Fin
29	1	998228	Valve Take-up Bracket
30	1	-----	Roll Pin 1/4 x 1 1/2
31	3	-----	Roll Pin 5/16 x 2
32	1	998230	Bushing
33	1	267156	Cover



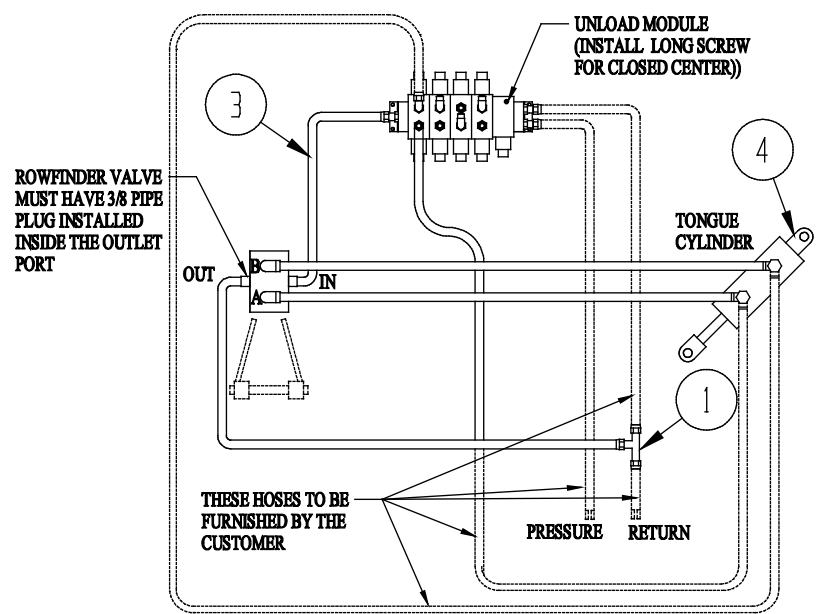
**OPEN CENTER HYDRAULICS  
PLUMBING USING TRACTOR VALVE OVERRIDE**



**OPEN & CLOSED CENTER HYDRAULICS  
PLUMBING USING TRACTOR POWER BEYOND  
AND VALVE BANK OVER RIDE**



**CLOSED CENTER HYDRAULICS  
PLUMBING USING TRACTOR VALVE OVERRIDE**



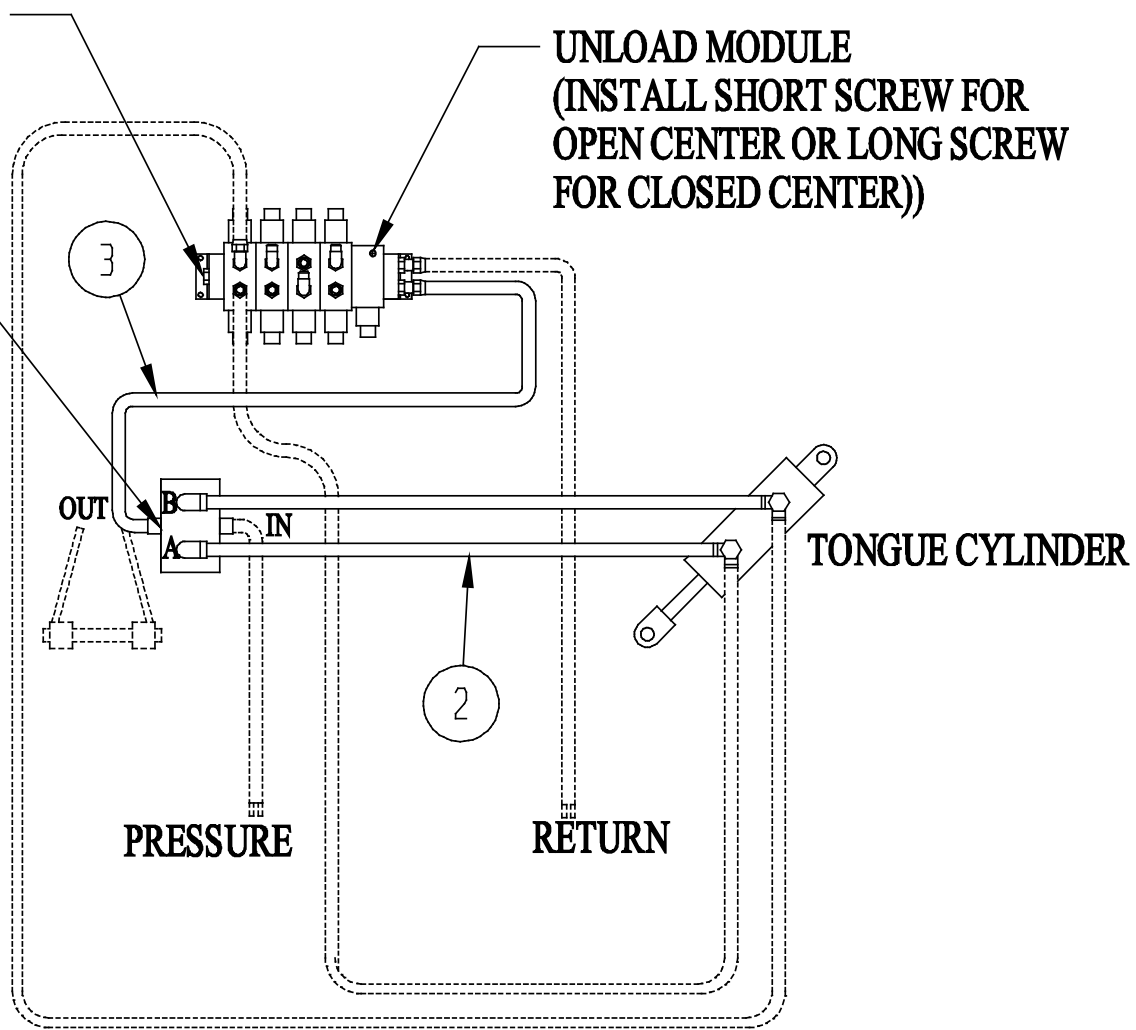
**CLOSED CENTER HYDRAULICS  
PLUMBING USING VALVE BANK OVERRIDE**



**THIS PORT TO BE PLUGGED FOR OPEN CENTER**

**UNLOAD MODULE (INSTALL SHORT SCREW FOR OPEN CENTER OR LONG SCREW FOR CLOSED CENTER))**

**ROW FINDER VALVE MUST HAVE 3/8 PIPE PLUG REMOVED FROM INSIDE THE OUTLET PORT.**

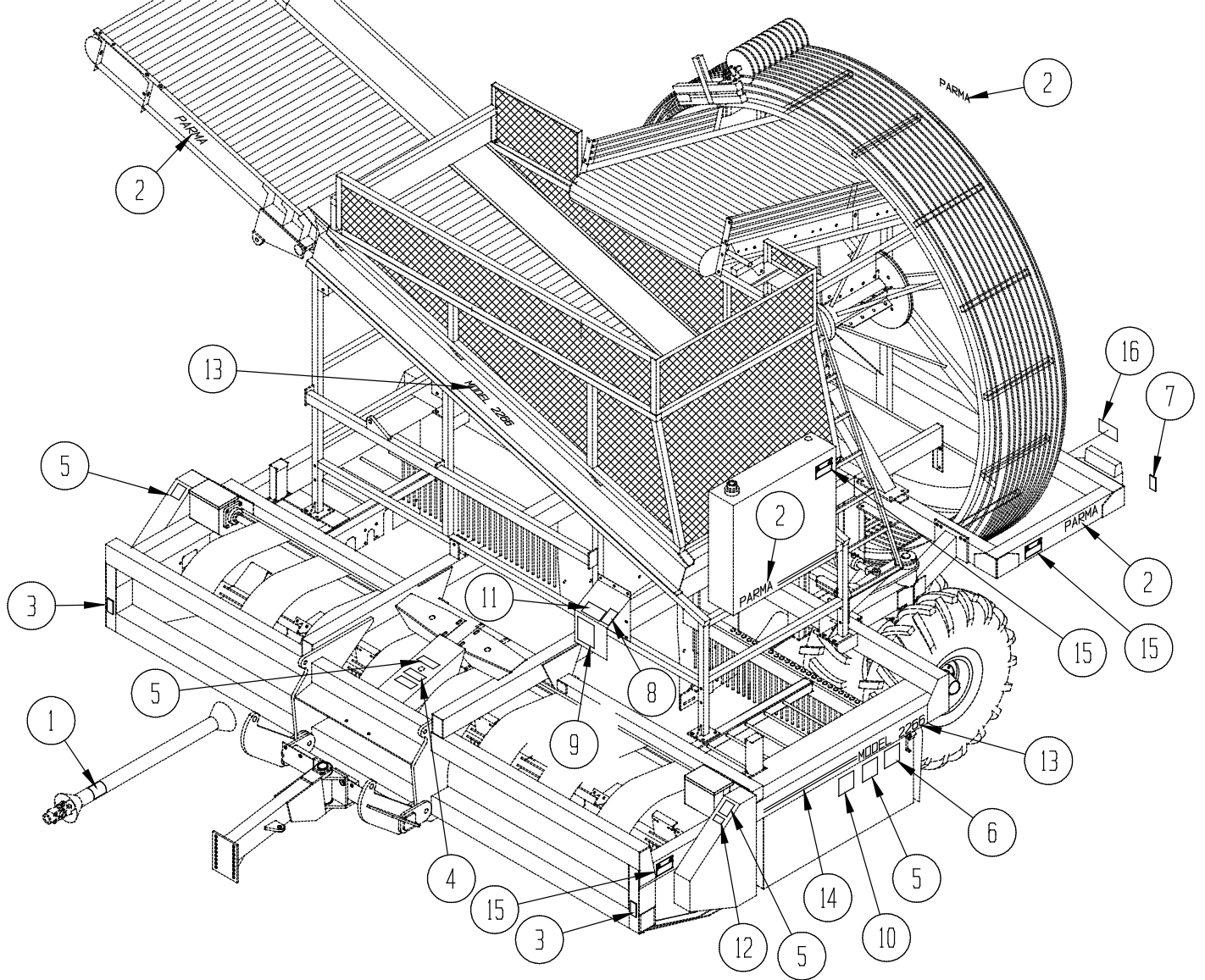


**OPEN CENTER HYDRAULICS  
PLUMBING USING VALVE BANK OVERRIDE**

**NOTE:  
ALL UNIDENTIFIED HYDRAULIC HOSES  
ARE TO BE FURNISHED BY THE CUSTOMER.**

**ROW FINDER HYDRAULICS  
OPEN/CLOSED CENTERS**

<b>ITEM NO.</b>	<b>QUANTITY</b>	<b>PART NO.</b>	<b>DESCRIPTION</b>
1	1	C5705-8	Union Tee, 1/2 X 1/2 JIC
2	2	902105	Hydraulic Hose, 1/2 x 42 w/ 1/2 Male Pipe Ends
3	1	902107	Hydraulic Hose, 3/8 x 96 w/ 3/8 Male Pipe Ends
4	1	998940	Hydraulic Cylinder 3 1/2 x 8

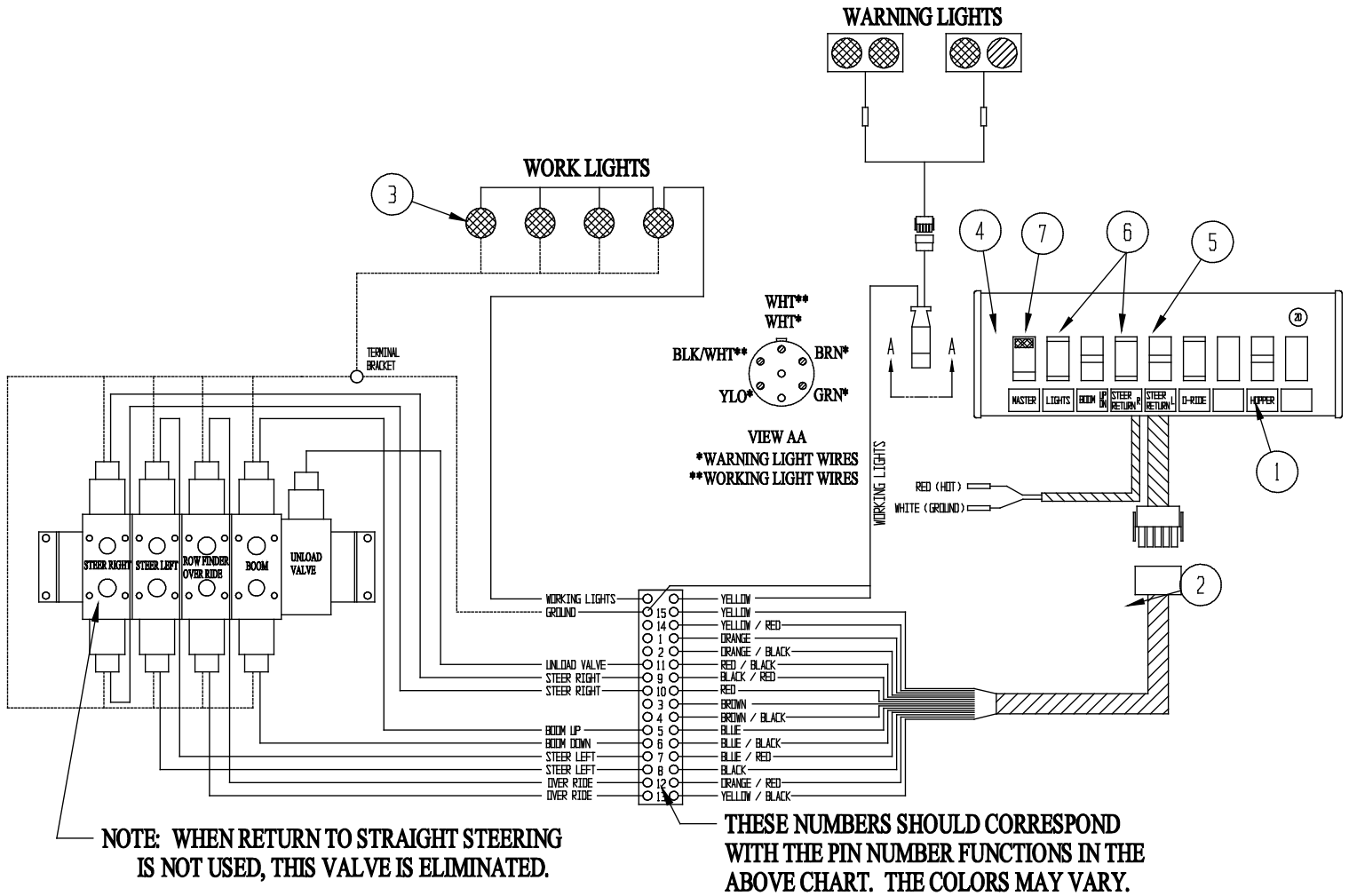


### DECAL GROUP

ITEM NO.	QUANTITY	PART NO.	DESCRIPTION
1	1	990798	Decal, PTO Safety
2	6	264797	Decal, Parma
3	2	264515	Amber Reflector
4	1	100566	Decal, Maximum Speed
5	5	100409	Decal, Guard In Place
6	2	100311	Decal, Rotating Parts
7	2	264516	Red Reflector
8	1	100423	Decal, FEMA
9	1	100406	Decal, General Cautions
10	2	100403	Decal, Grab Roll Caution
11	1	100408	Decal, Hydraulics Pressurized
12	1	100748	Decal, Patent
13	3	268205	Decal, Model 2286
	3	266902	Decal, Model 2288
14	As Req'd	264798	Double Stripe Tape
15	5	265933	Decal, Danger Do Not Ride
16	2	267789	Decal, Do Not Lift

## SWITCH BOX 15 POSITION CONNECTOR PIN NUMBERS/COLORS

PIN#	COLOR	FUNCTION	PIN#	COLOR	FUNCTION
1	ORANGE	NOT USED	9	BLACK/RED	STEER RIGHT
2	ORANGE/BLK	NOT USED	10	RED	STEER RIGHT
3	GREEN	NOT USED	11	RED/BLACK	UNLOAD VALVE
4	BROWN/BLK	NOT USED	12	ORANGE/RED	OVER RIDE
5	BLUE	BOOM UP	13	YELLOW/BLK	OVER RIDE
6	BLUE/BLK	BOOM DOWN	14	BLACK/WHITE	NOT USED
7	BLUE/RED	STEER LEFT	15	YELLOW	GROUND
8	BLACK	STEER LEFT			



### WIRING SCHEMATIC

ITEM NO.	QUANTITY	PART NO.	DESCRIPTION
1	1	264543	Switch Box
2	1	264546	15 Wire Cable
3	1	-----	Light Kit
4	1	264895	Master Switch
5	2	264896	Momentary Switch
6	2	265357	Toggle Momentary Switch
7	1	264897	On-Off Switch

# NOTES