

PARMA[®]

Forage Combo Box PARTS CATALOG

2008 Mechanical

Greg Davis S/N 83947

Bill Davidson S/N 83949

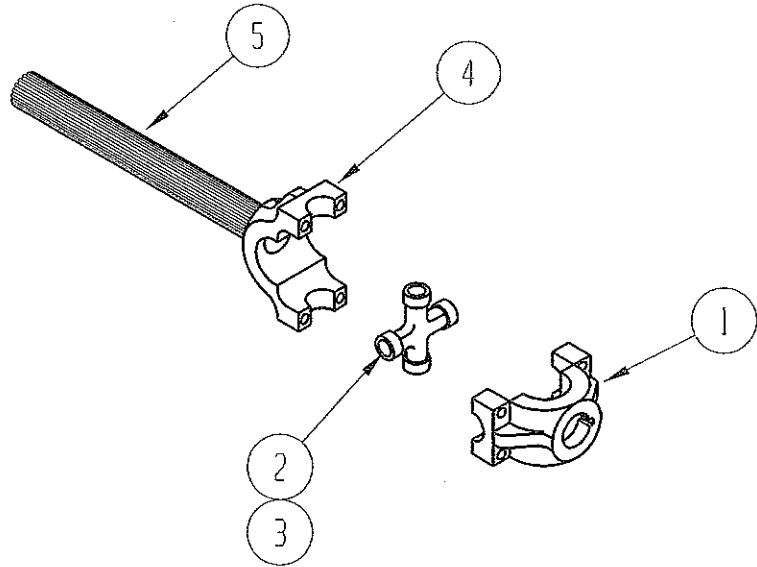
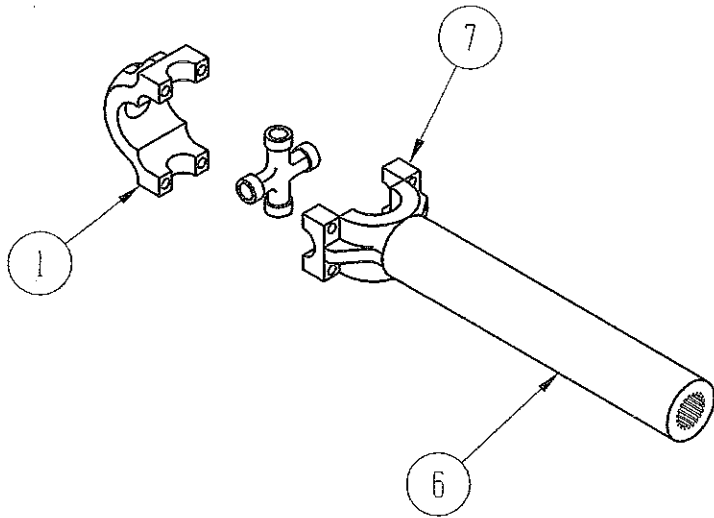
Manual Number 010108-COMBO

PARMA COMPANY

P.O. BOX 190
PARMA, IDAHO 83660
PHONE (208) 722-5116 FAX (208) 722-6012
E-Mail: www.parmacompany.com

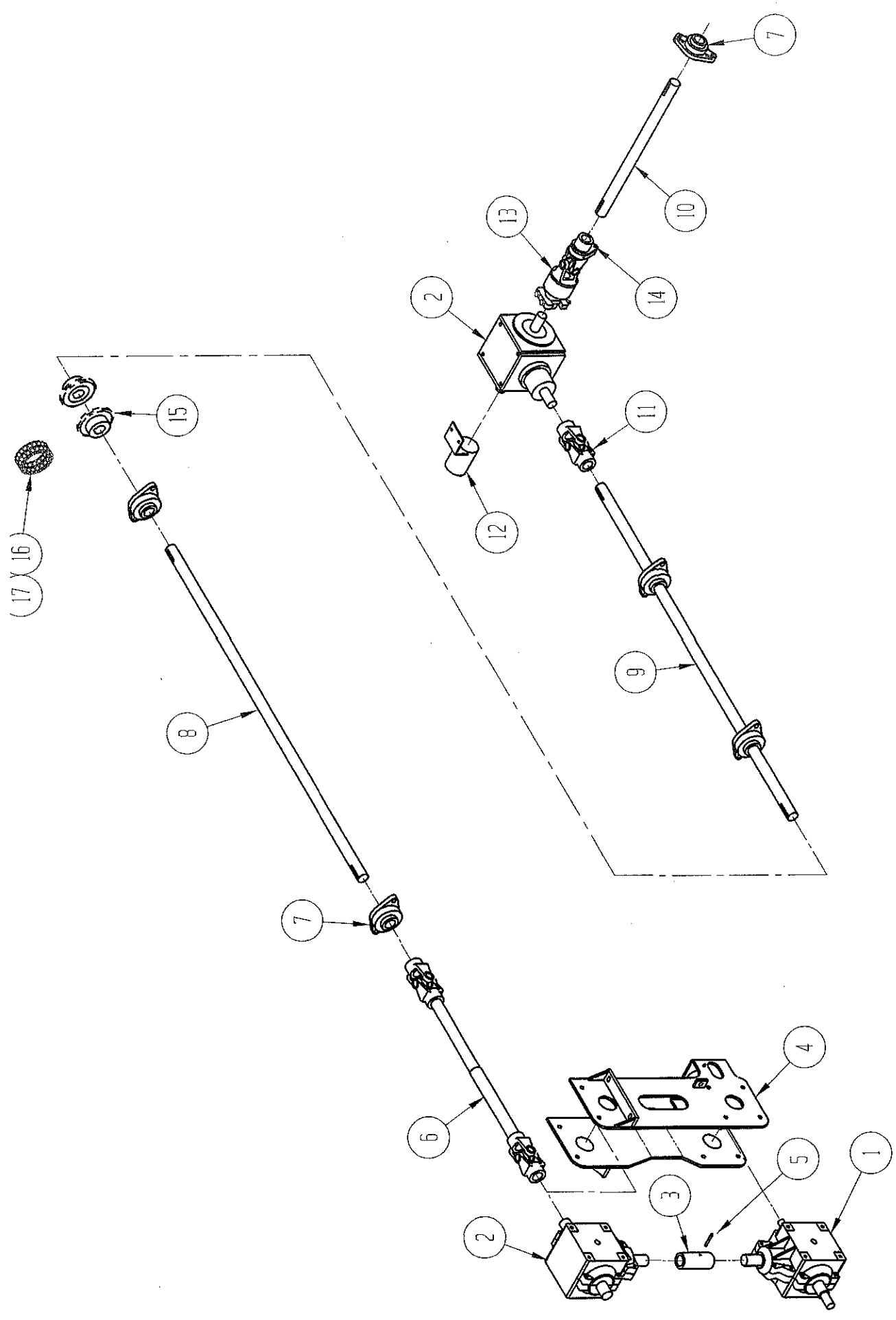
TABLE OF CONTENTS

BOX ACCESSORIES	9
DECAL GROUP.....	17
ELECTRICAL CONTROLS.....	18
FLOOR CHAIN DRIVE ASSEMBLY	5
GEARBOX, 1:1.....	23
GEARBOX, 1:1.81.....	21
HYDRAULIC DRIVE COMPONENTS.....	7
MANURE SPREADER ASSEMBLY	13
MECHANICAL DRIVE ASSEMBLY.....	3
OVERRUNNING CLUTCH ASSEMBLY	24
PTO DRIVE PARTS	1
PTO DRIVELINE	19
SILAGE OPTION	15
SLOP GATE AND PAN OPTIONS.....	11



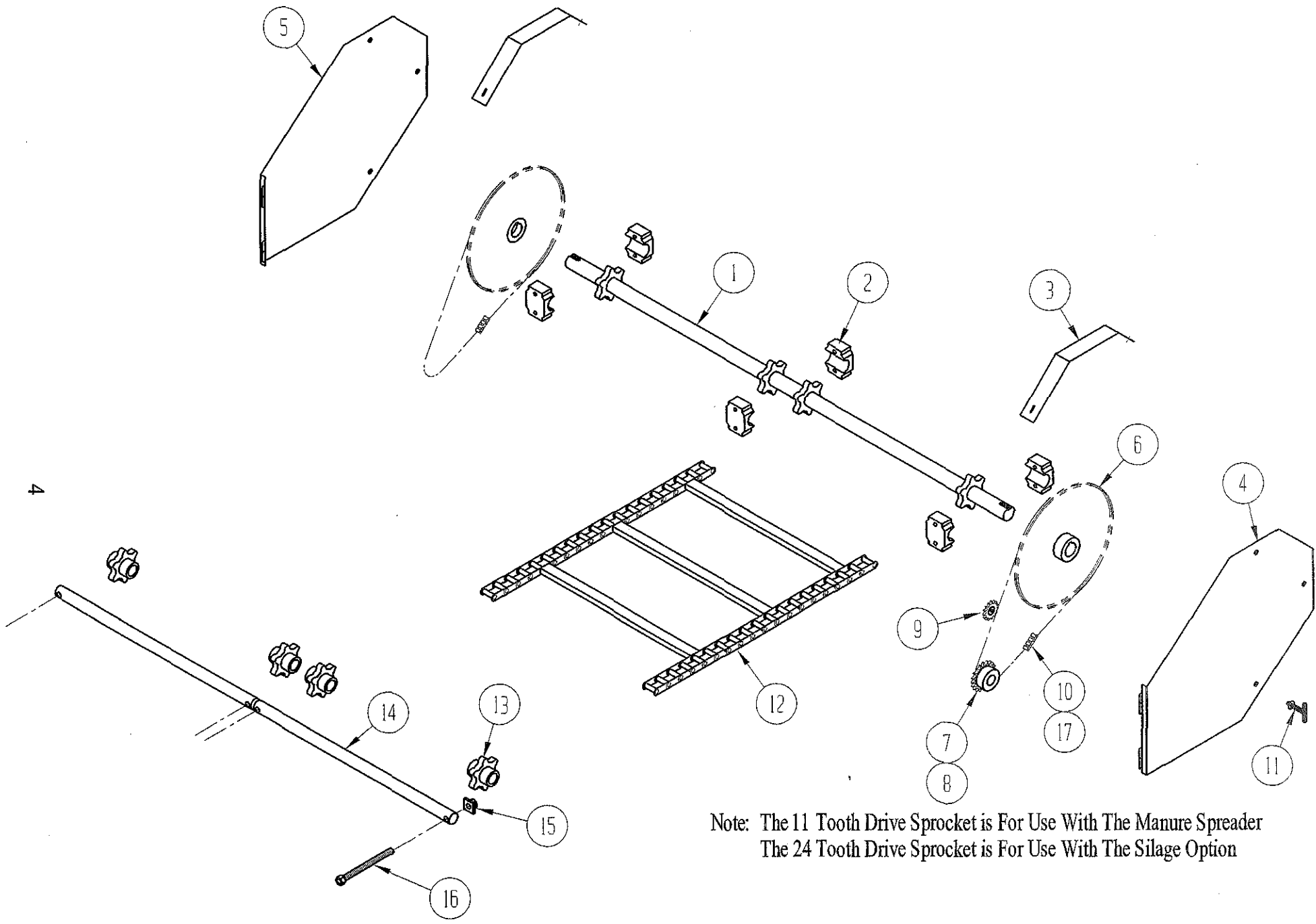
PTO DRIVE PARTS

ITEM NO.	QUANTITY	PART NO.	DESCRIPTION
1	2	700461	Yoke
2	2	700462	Cross & Bearing Kit
3	2	700457	U-Bolt Kit
4	1	700458	Slip Yoke
5	1	700460	Stub Shaft (Must Cut To Length)
6	1	700456	Tube (Must Cut To Length)
7	1	700459	Weld Yoke



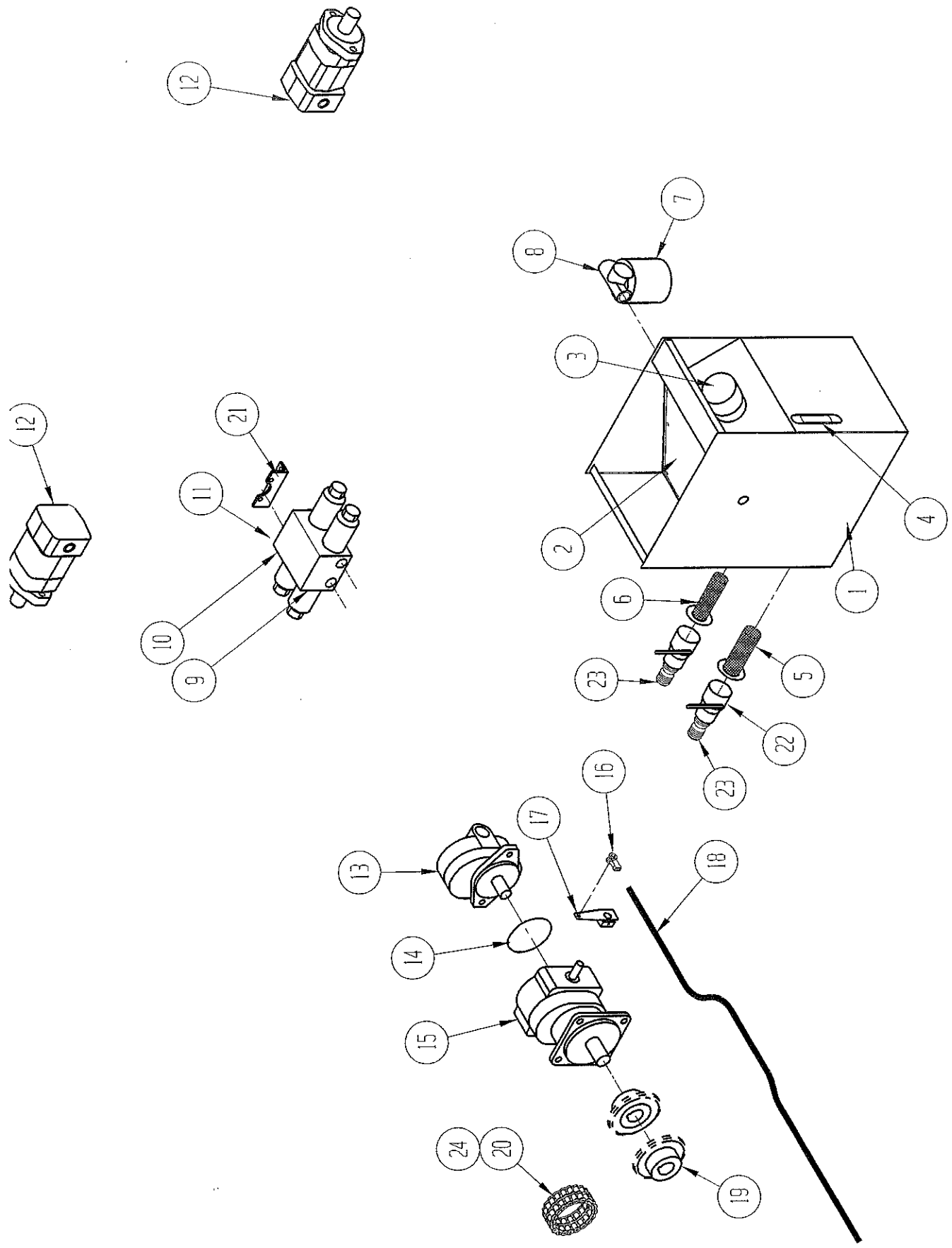
MECHANICAL DRIVE ASSEMBLY

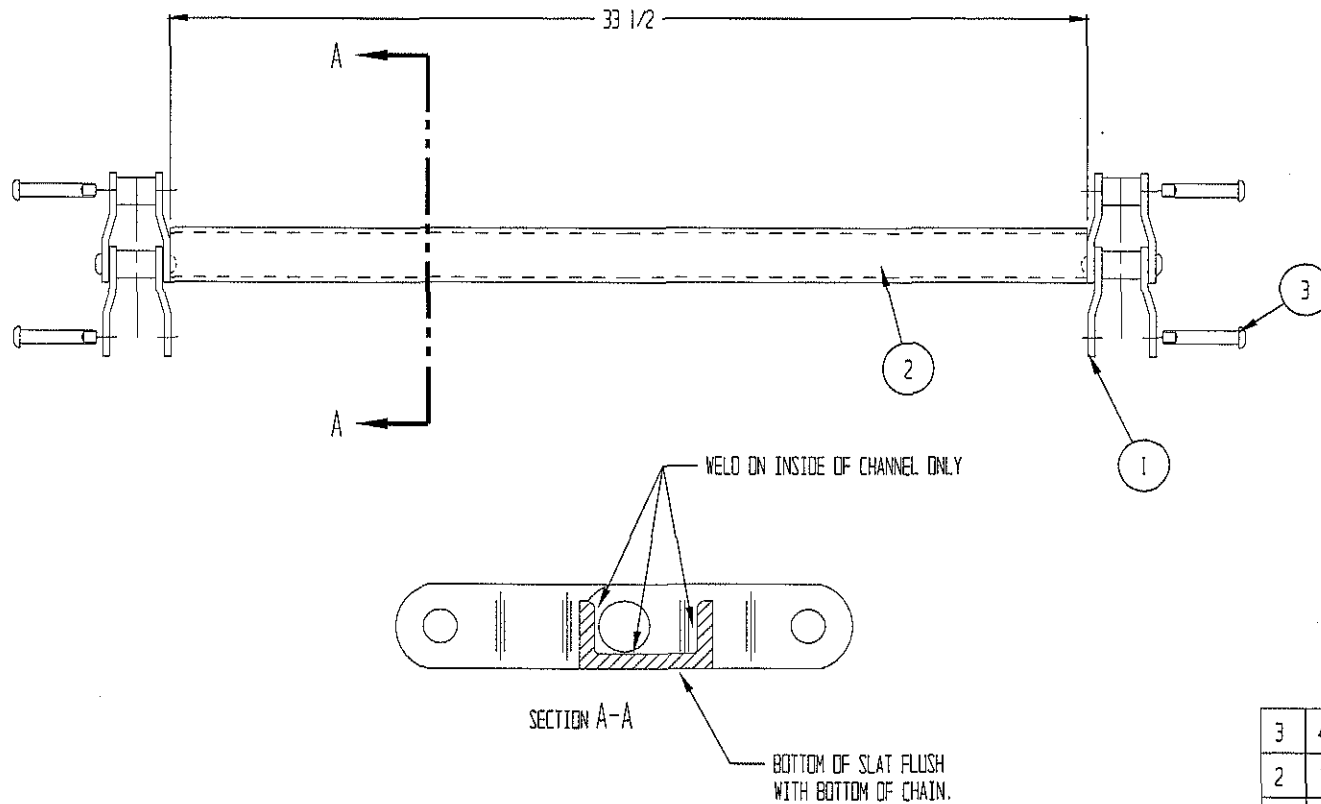
ITEM NO.	QUANTITY	PART NO.	DESCRIPTION
1	1	700294	Gear Box, 1.81:1 Ratio (See Pg. 21)
2	1	700276	Gear Box, 1:1 Ratio (See Pg. 23)
3	1	700645	Coupler, Splined
4	1	700296	Housing, Gear Box
5	1		Roll Pin, 1/4 x 2 1/2
6	1	700463	Drive Line, PTO (See Pg. 19)
7	5	980196	Bearing, 1 3/4 2-Bolt Flanged
		980165	Insert Bearing, 1 3/4 (For Above)
8	1	700562	Shaft, Front
9	1	700561	Shaft, Middle
10	1	700201	Shaft, Output Drive
11	1	700278	U-Joint Assembly (Next 3 Items)
		700704	Cross & Bearing Kit
		700703	Yoke, 1 3/4 Round Bore
		700705	Yoke, 1 3/4 - 20 Splined
12	1	700518	Cover, Shaft
13	1	700279	Yoke Assembly, Over-running Clutch (See Yoke Assembly Breakdown Pg. 24)
14	1		Shear Bolt, 5/15 x 2 Grade 5
15	2	980604.1 3/4	Sprocket, Coupling 60B20T, 1 3/4 Bore
16	1	980910	Coupling Chain, 60-2
17	1	980926	Master Link, 60-2



FLOOR CHAIN DRIVE ASSEMBLY

ITEM NO.	QUANTITY	PART NO.	DESCRIPTION
1	1	700196	Floor Shaft
2	3	700397	Floor Drive Bearing
3	2	700044	Chain Slot Cover
4	1	700395	LH Drive Door
5	1	700399	RH Drive Door
6	2	700396	Sprocket, 60B90, 2 3/8" Bore
7	2	980595.1 1/4	Sprocket, 60B11, 1 1/4" Bore (Manure)
8	2	980608.1 1/4	Sprocket, 60B24, 1 1/4" Bore (Silage)
9	2	980751	Idler Sprocket, RC60, 15T
10	2	980909	Roller Chain, RC60 HD, 126 Lk. (24T Spkt)
	2	980909	Roller Chain, RC60 HD, 120 Lk. (11T Spkt)
11	1	700398	Latch Key
12	8	700143	Chain Section, Floor (10 Ft.)
13	4	700246	Idler Sprocket, 1 15/16 Bore
14	2	700194	Idler Shaft
15	4	700129	Tensioner Nut
16	4	700204	Tensioner Rod
17	1	980980	Master Link, RC60 Hvy Duty





NOTICE:

700567 PIN, COTTER KEYS IS USED FOR REPAIR ONLY, DO NOT USE IN PRODUCTION

ITEM	QTY.	SIZE	PART NO.	DESCRIPTION
3	4	-	720542	PIN, WELD IN
2	1	B	700483	CHANNEL, FLOOR CHAIN
1	4 LINKS		700257	CHAIN, RIVETED - H78 TY/FT

P.O. BOX 190
101 MAIN ST. **PARMA COMPANY** PARMA, IND 46360

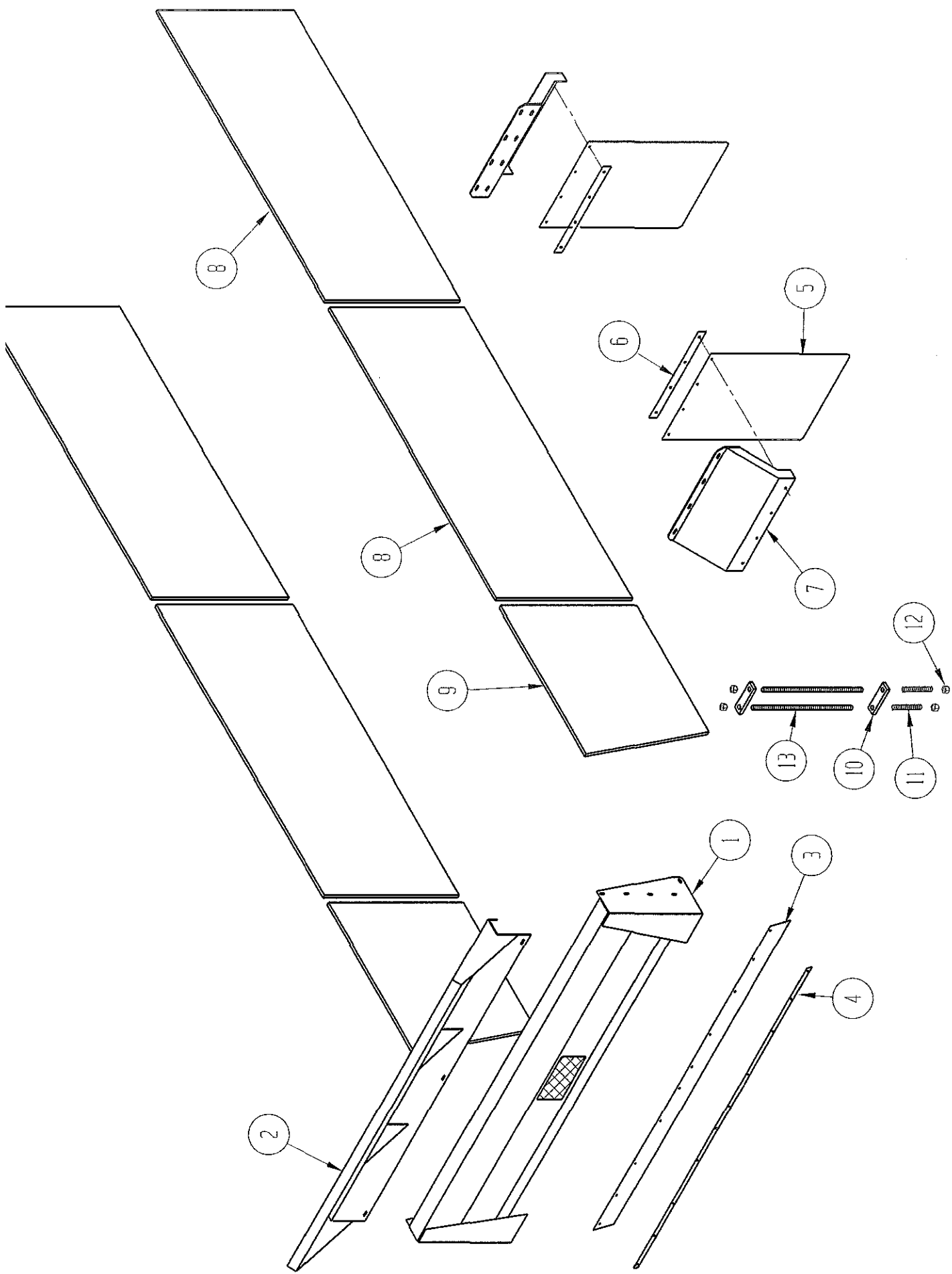
CHAIN LINK SECTION CB

REV.	REVISIONS	BY	DATE
-	-	-	-

MANUFACTURING TOLERANCES (UNLESS OTHERWISE SPECIFIED)		DRWN:	RH	5/6/08	NEXT ASSEMBLY: -
FRACTIONS	± 1/16	APPROVED:		SHEET 1 OF 1	
DECIMALS	± .010	DRAWING NO. B701676		REV. -	SCALE 1/4"
ANGLES	± 1°				

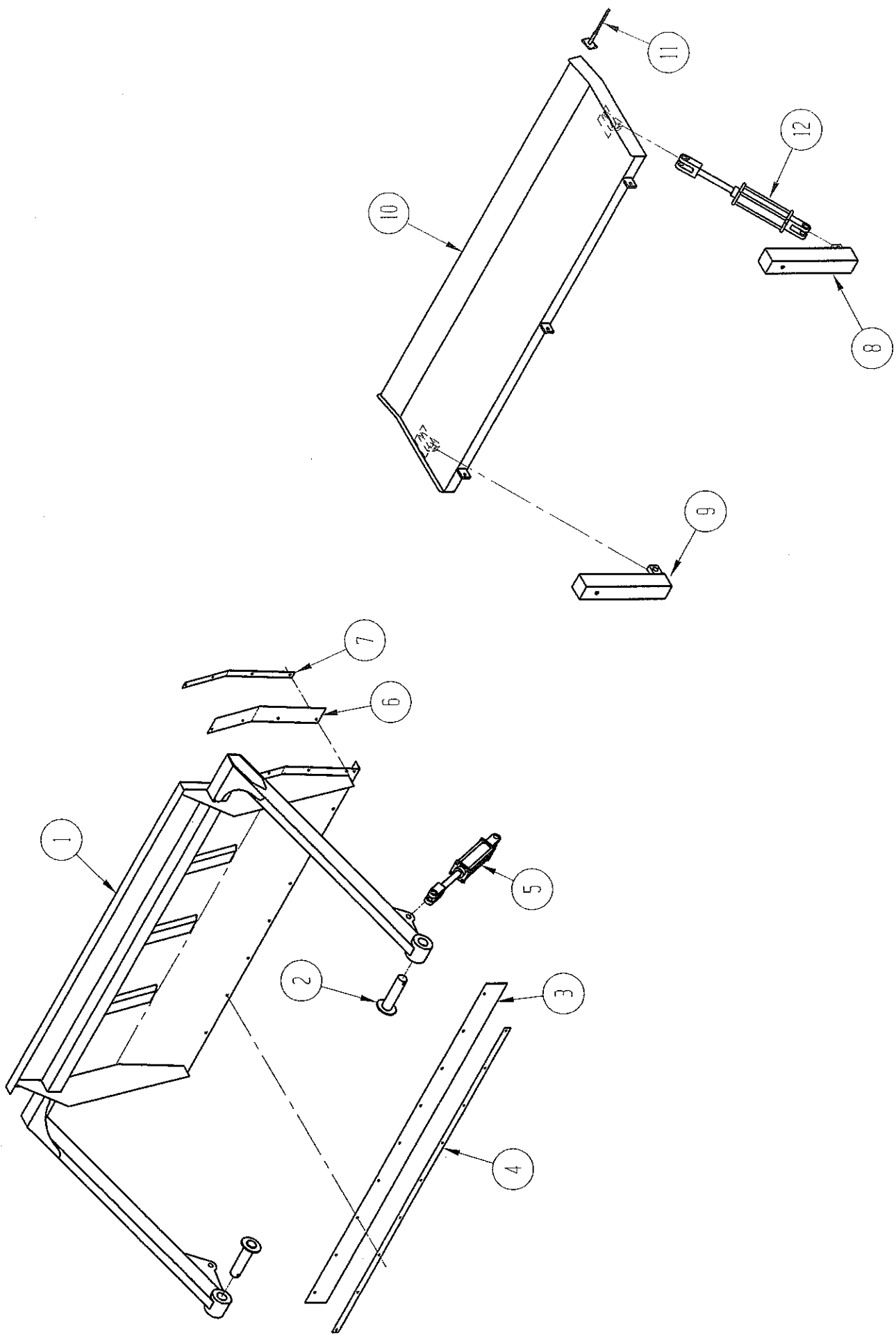
HYDRAULIC DRIVE COMPONENTS

ITEM NO.	QUANTITY	PART NO.	DESCRIPTION
1	1	700564	Hydraulic Reservoir (Wldmt Only)
2	1	700036	Cover Plate
3	1	700227	Breather Cap Assembly
4	1	700231	Sight Gauge
5	1	350130	Suction Strainer, 2"
6	1	700230	Suction Strainer, 1 1/2"
7	1	700225	Filter Element
8	1	700226	Filter Head
9	1	701598	Bolt Kit, Valve Cylinder
10	1	701651	Relief Valve Cartridge
11	2	701597	Valve Cylinder
12	2	311092	Hydraulic Motor
13	1	700219	Hydraulic Pump (Cylinders)
14	1	700218	O-Ring, 1/16 x 3 1/4 OD
15	1	700217	Hydraulic Pump (Bed Chain)
16	1	700514	Clevis
17	1	700297	Control Arm
18	1	700277	Shift Cable
19	2	980572.1	Coupler Sprocket, 5016 x 1" Bore
20	1	980907	Coupler Chain, 5016, 16 Links
21	1	701599	Manifold (2-Bank)
22	2	250183	Ball Valve, 1 1/2"
23	2	290108	King Nipple, 1 1/2"
24	1	980924	Master Link, 50-2



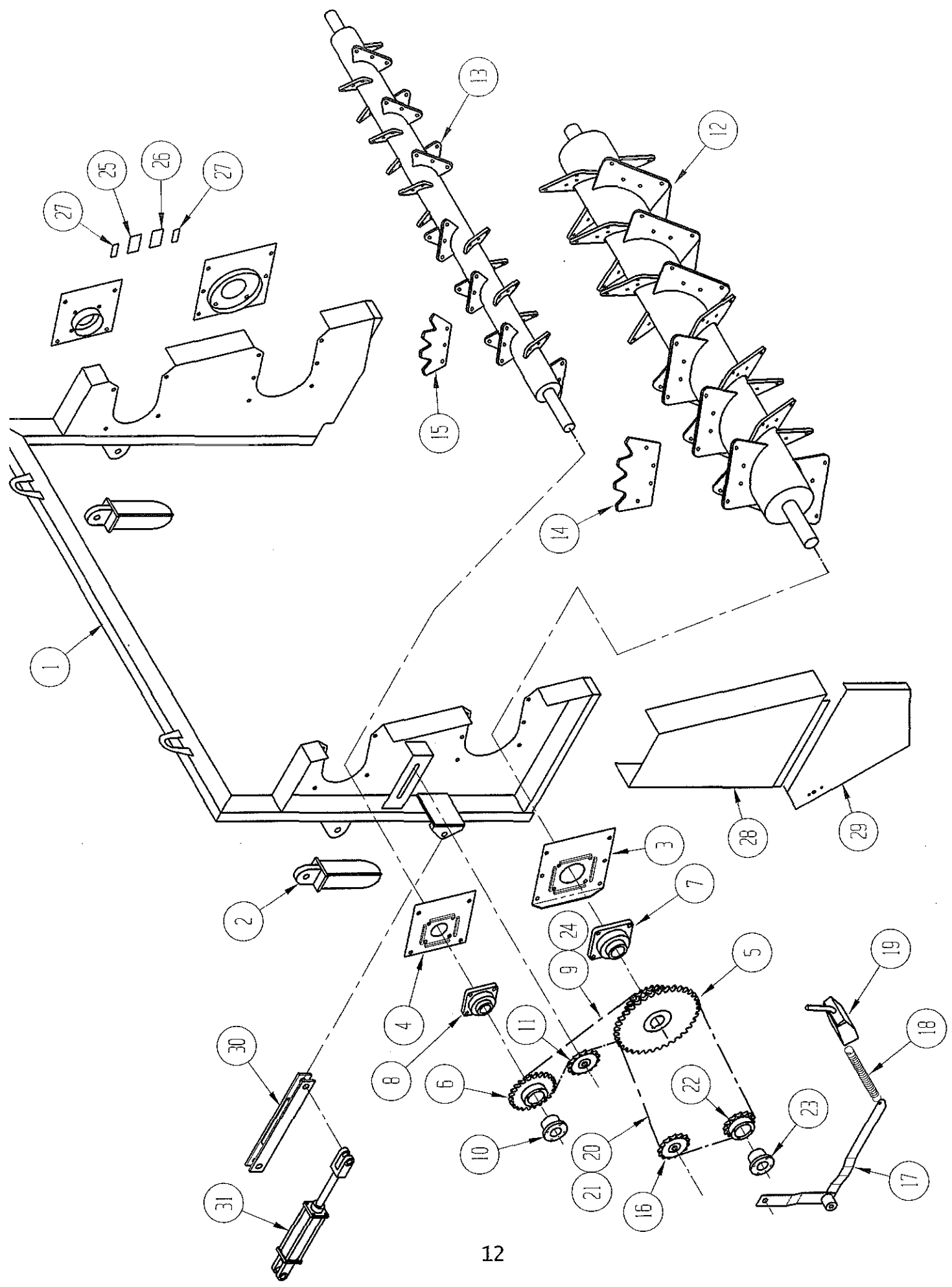
BOX ACCESSORIES

ITEM NO.	QUANTITY	PART NO.	DESCRIPTION
1	1	700342	Front Wall Extension
2	1	700338	Cab Protector
3	1	700205	Slope Seal Belt
4	1	700118	Slope Seal Bar
5	4	700283	Mud Flap
6	4	700557	Mud Flap Attaching Bar
7	4	700445	Fender
8	4	700288	Plywood Panel
9	2	700285	Plywood Panel, Front
10	4	700141	Clamp Bar
11	4	700272	Spring
12	8	-----	Lock Nut, 7/8
13	4	700203	Clamp Rod



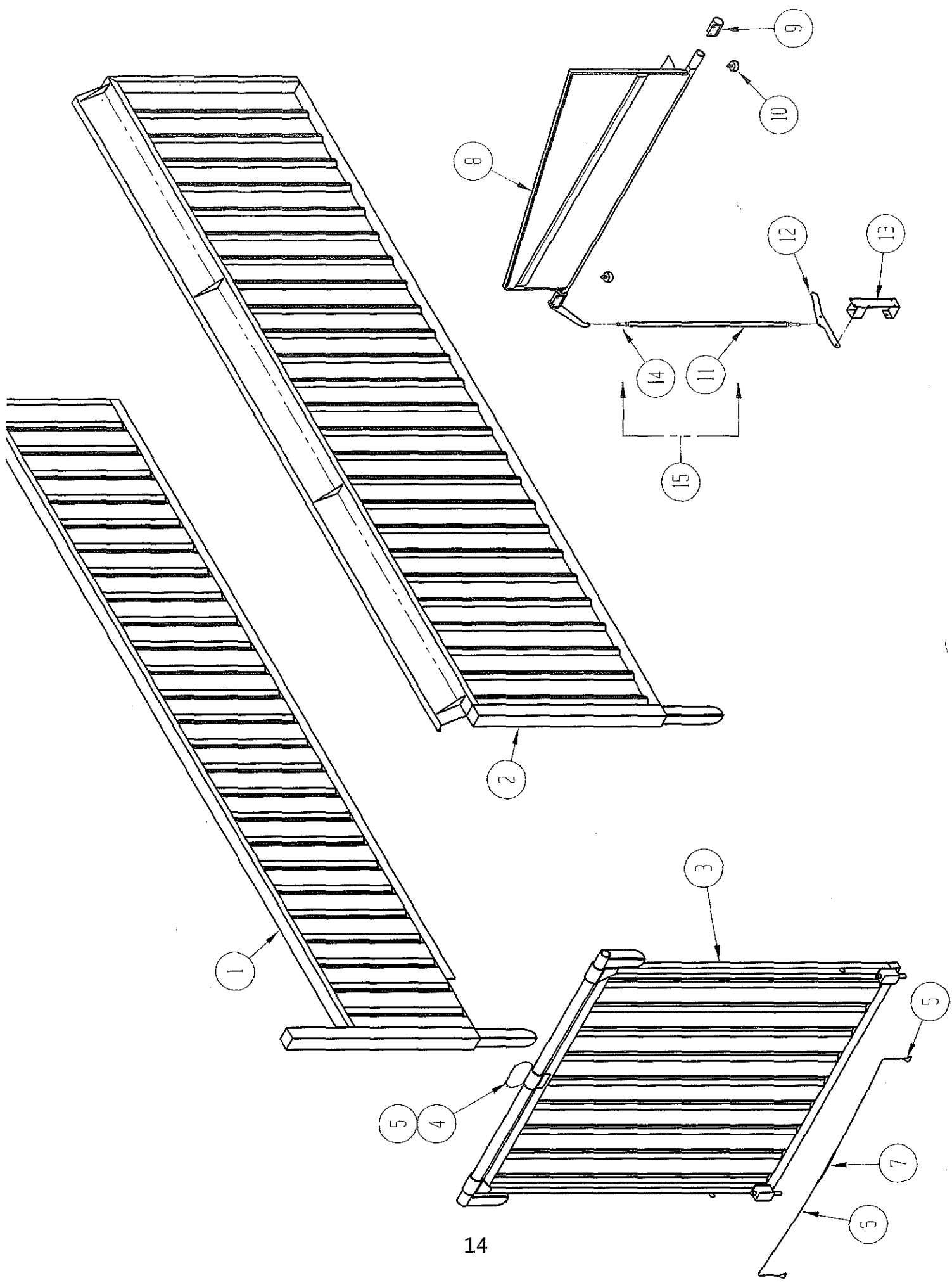
SLOP GATE AND PAN OPTIONS

ITEM NO.	QUANTITY	PART NO.	DESCRIPTION
1	1	700413	Slop Gate
2	2	700412	Pivot Pin
3	1	700207	Bottom Seal
4	1	700111	Bottom Retainer Bar
5	2	998165	Hydraulic Cylinder, 3 x 10
6	2	700206	Side Seal
7	2	700112	Side Retainer Bar
8	1	700408	Cylinder Lug Insert, LH
9	1	700409	Cylinder Lug Insert, RH
10	1	700407	Slop Pan
11	1	700113	Slop Pan Indicator
12	2	998902	Hydraulic Cylinder, 2 x 8



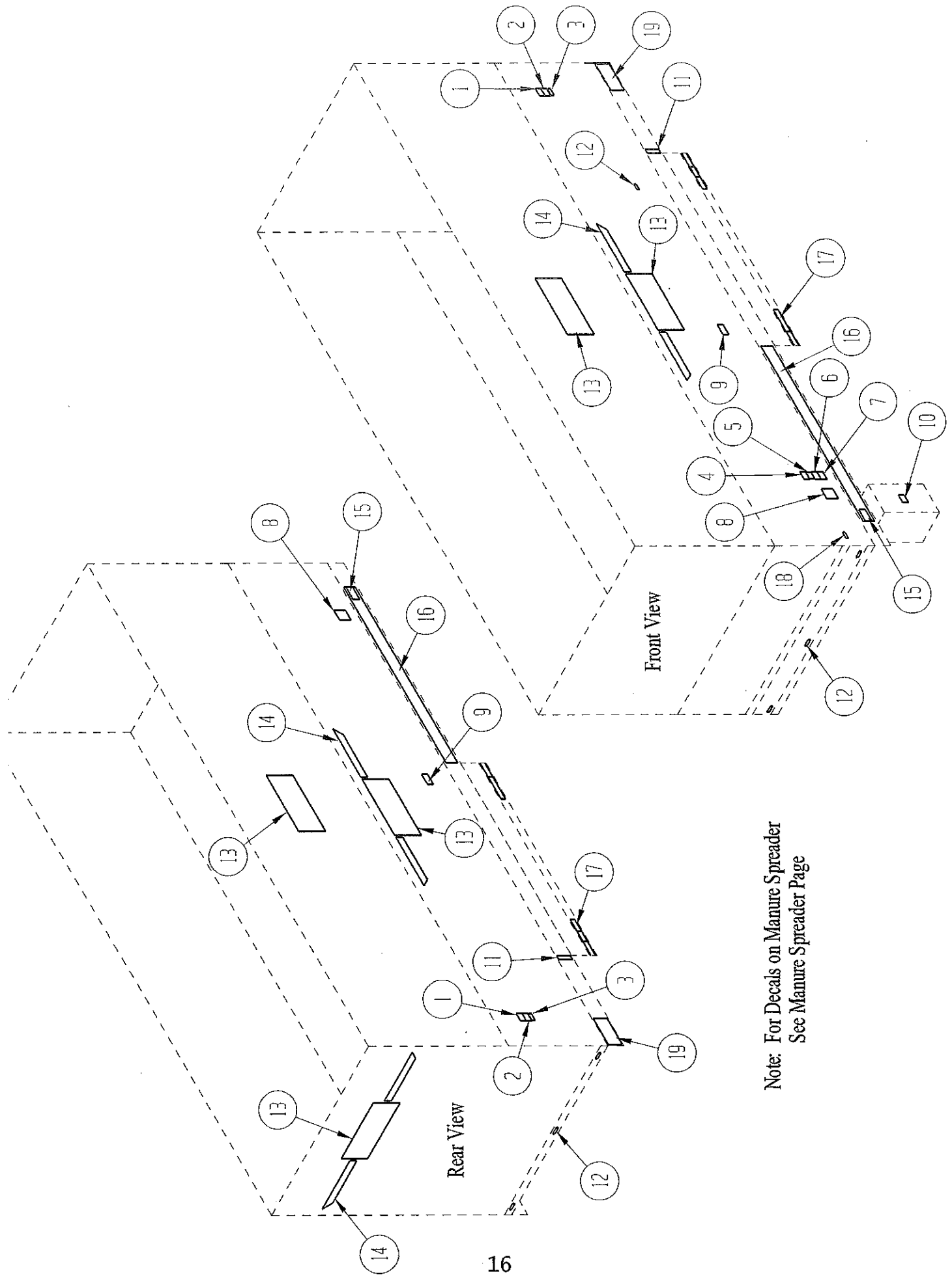
MANURE SPREADER ASSEMBLY

ITEM NO.	QUANTITY	PART NO.	DESCRIPTION
1	1	700244	Spreader Chassis
2	2	700249	Drop In Hinge
3	2	700261	Bottom Bearing Plate
4	2	700286	Top Bearing Plate
5	1	700350	Double Sprocket, 100-36T/80-24T
6	1	700441	Sprocket, 80Q28T
7	2	700245	Flanged Bearing, 2 7/16 4 Hole
8	2	980821	Flanged Bearing, 1 15/16 4 Hole
9	1	980912	Roller Chain, RC80, 82 links
10	1	980219	Bushing, Q1-1 15/16
11	1	980751	Idler Sprocket, RC80
12	1	700661	Bottom Beater
13	1	700662	Top Beater
14	24	700021	Bottom Paddle
15	24	700010	Top Paddle
16	1	700355	Idler Sprocket, RC100
17	1	700353	Tensioner Arm
18	1	700273	Spring
19	1	700354	Latch Assembly
20	1	700258	Roller Chain, RC100, 76 Links
21	1	700259	Master Link, RC100
22	1	700255	Sprocket, H100Q14
23	1	980218	Bushing, Q1-1 3/4
24	1	980927	Master Link, RC80
25	1	700494	Decal, Keep Hands & Feet
26	1	700493	Decal, Do Not Enter
27	2	700497	Decal, Grease Gun
28	1	700336	Upper Drive Cover
29	1	700009	Lower Drive Cover
30	2	700660	Lock Bar
31	2	700424	Hydraulic Cylinder, 2 x 8



SILAGE OPTION

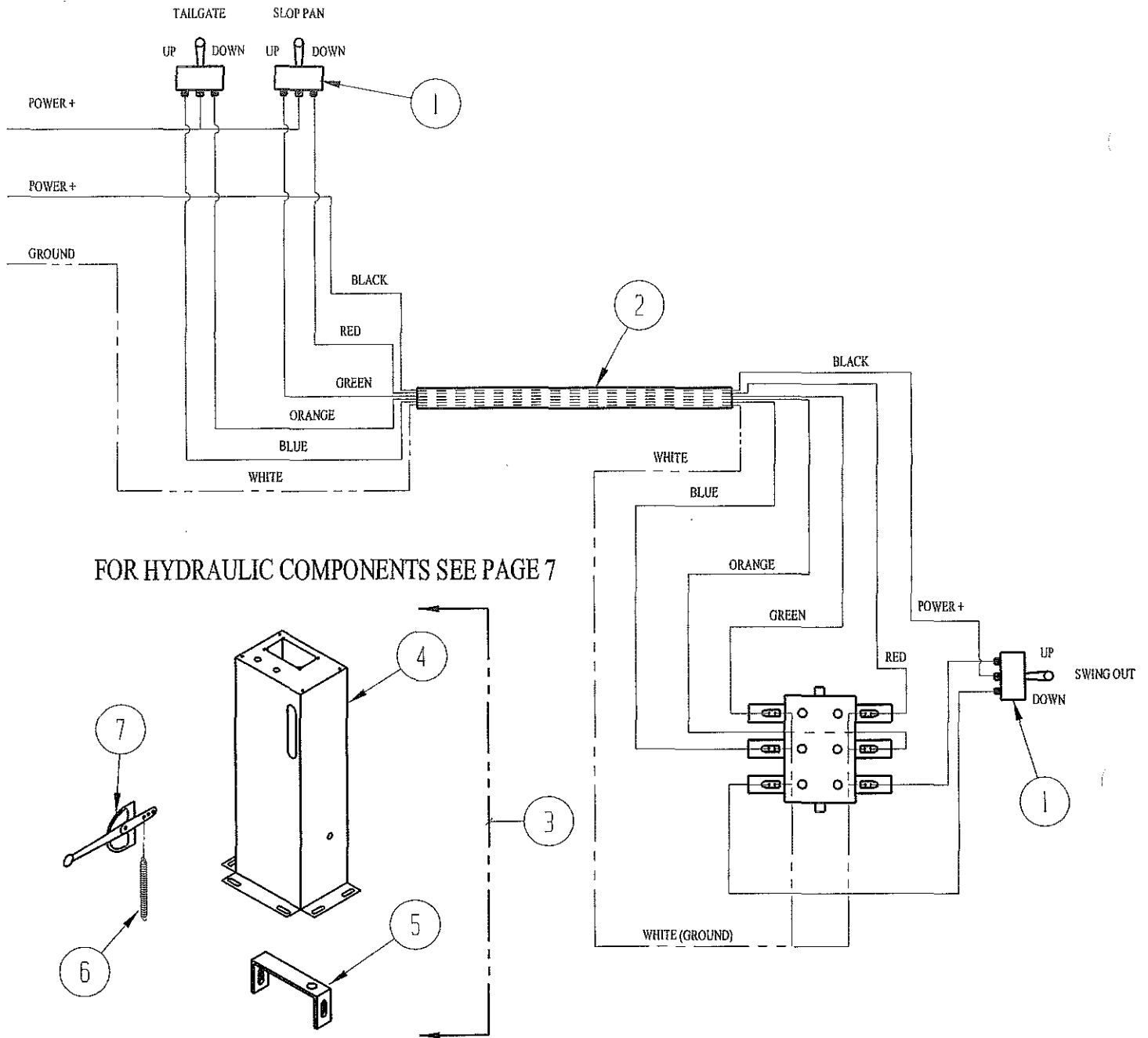
ITEM NO.	QUANTITY	PART NO.	DESCRIPTION
1	1	700311	Wall Extension, Driver Side
2	1	700310	Wall Extension, Passenger Side
3	1	700523	Tail Gate
4	4	700263	Clip, 3/16 Galvanized
5	1	700266	Cable, 3/16 Galvanized x 30"
6	1	700266	Cable, 3/16 Galvanized x 180
7	1	700233	Tube, 1/4"
8	1	700383	Fold Down Door
9	1	700320	Hinge
10	2	700280	Door Bumper
11	1	700155	Connecting Pipe
12	1	700068	Fold Down Lever
13	1	700321	Fold Down Pivot
14	2	700234	Clevis
15	1	700322	Fold Down Rod Assembly



Note: For Decals on Manure Spreader
See Manure Spreader Page

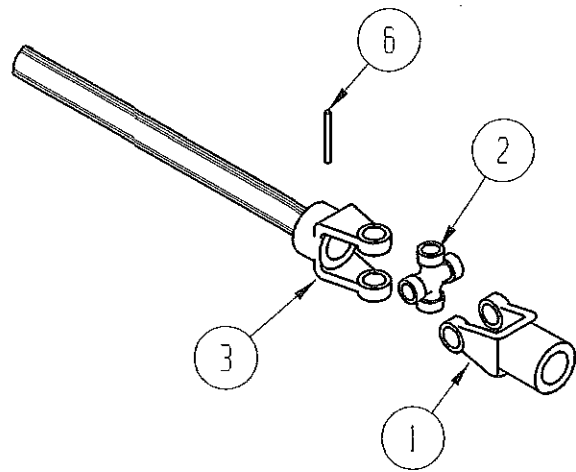
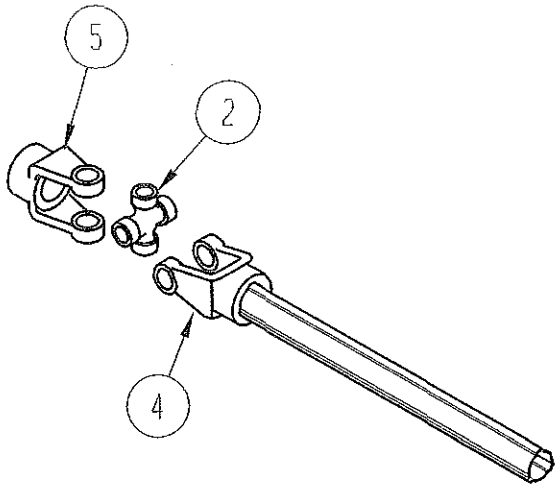
DECAL GROUP

ITEM NO.	QUANTITY	PART NO.	DESCRIPTION
1	2	700500	Decal, Always Turn
2	2	700502	Decal, Replace Shields
3	2	700498	Decal, Chain Lube
4	1	700503	Decal, Prevent Injury
5	1	700492	Decal, Lubricate
6	1	700491	Decal, Grease
7	1	700489	Decal, Adjust chains
8	2	700490	Decal, Supra Box
9	2	700493	Decal, Do Not
10	1	700488	Decal, Hydraulic Oil
11	2	700563	Decal, Yellow Strip 2"
12	7	700497	Decal, Grease Gun
13	5	700496	Decal, By Parma
14	6	700499	Decal, Stripe
15	2	817764	Decal, Parma Oval
16	2	700563	Decal, Yellow Strip 87 ¼"
17	4	700495	Decal, Reflector Strip
18	1	100749	Serial Tag
19	2	700563	Decal, Yellow Strip 13 ½"



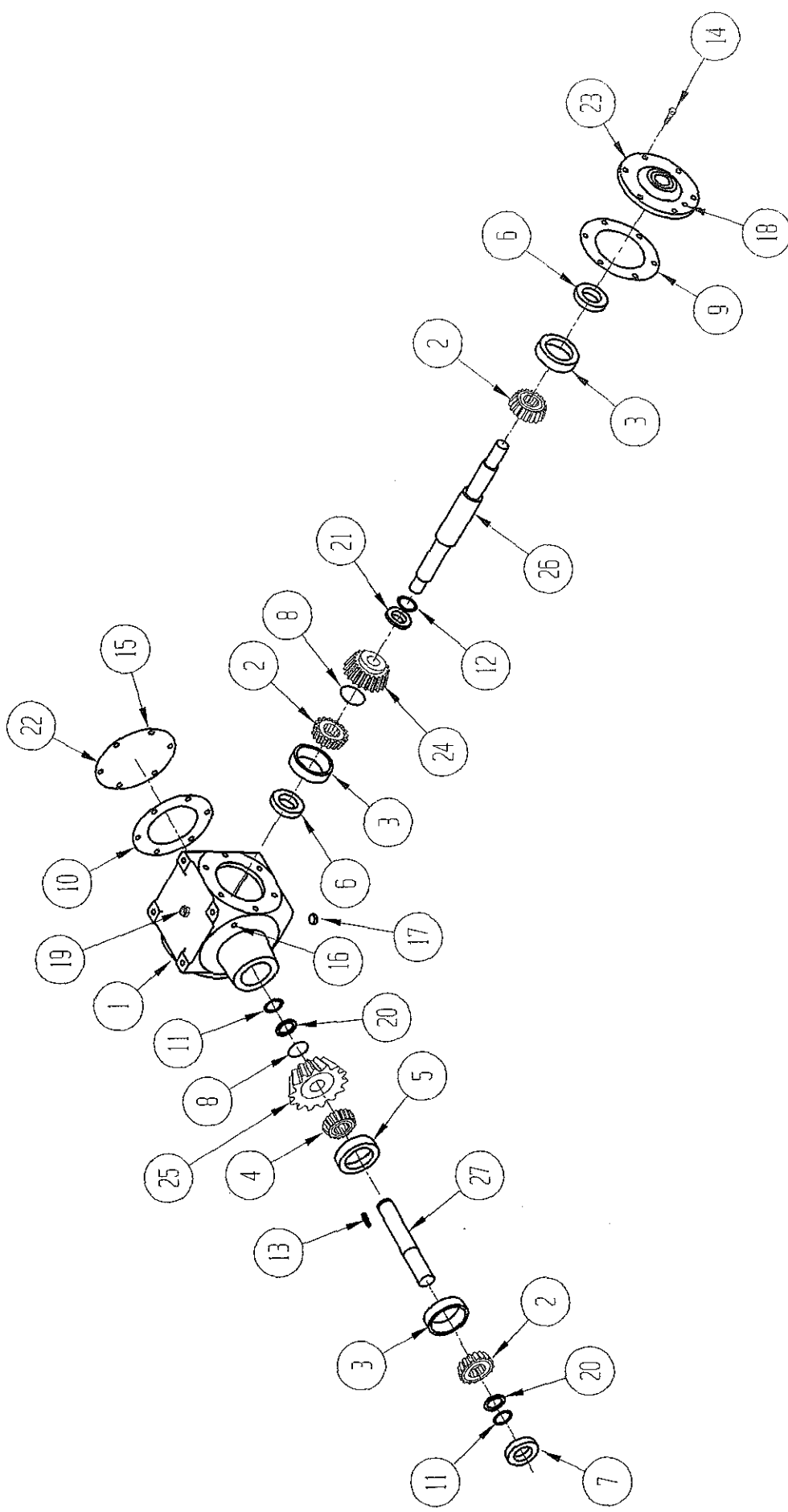
ELECTRICAL CONTROLS

ITEM NO.	QUANTITY	PART NO.	DESCRIPTION
1	3	700236	Switch, Momentary Toggle
2	30 Ft.	700644	Wire Cable, 6 Conductor
3	1	700324	Console Asm, In Cab
4	1	700030	Pedestal, Main
5	1	700120	Anchor, Cable
6	1	700275	Spring



DRIVELINE, PTO
(#700463)

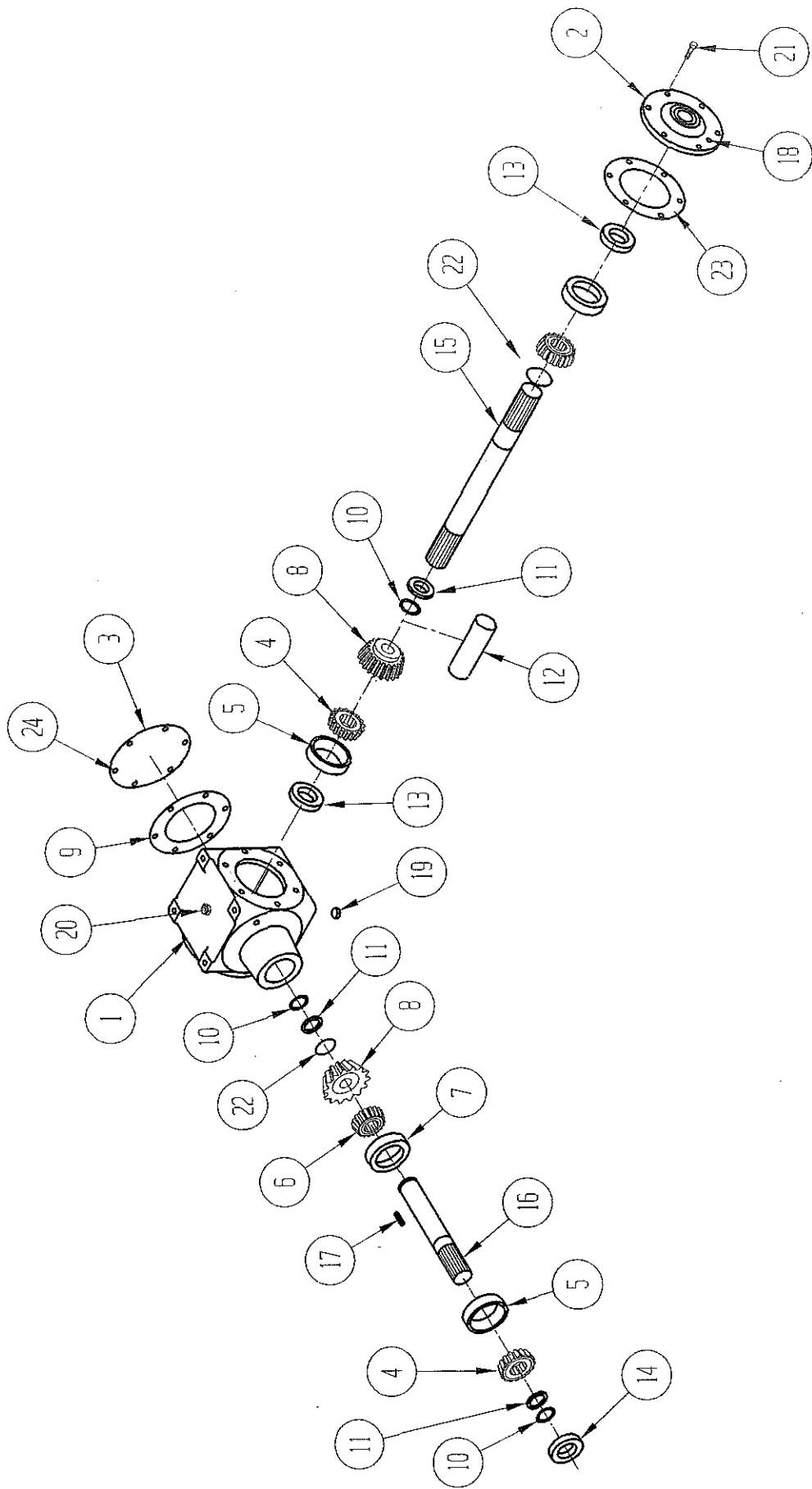
ITEM NO.	QUANTITY	PART NO.	DESCRIPTION
1	1	990847	Yoke, 1 3/4" Round Bore
2	2	990824	Cross & Bearing Kit
3	1	990859	Yoke, Inner Profile
4	1	990858	Yoke, Outer Profile
5	1	700666	Yoke, 1 3/4"-20 Splined, Bolted
6	2	700670	Roll Pin



GEARBOX 1:1.81

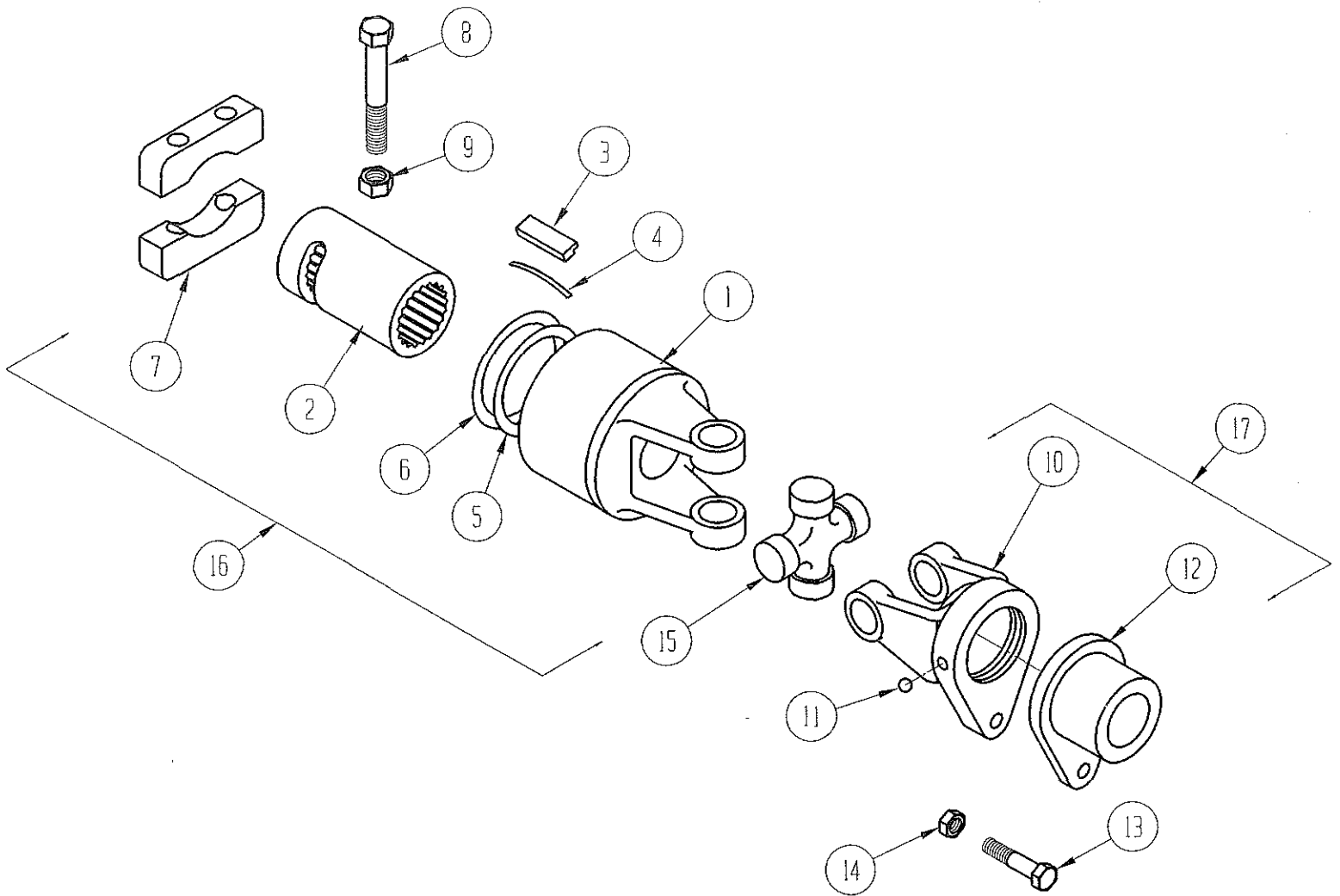
(#700294)

ITEM NO.	QUANTITY	PART NO.	DESCRIPTION
1	1	700549	Case, gear box
2	3	999409	Bearing Cone
3	3	990001	Bearing Cup
4	1	990946	Bearing Cone
5	1	700531	Bearing Cup
6	2	700532	Shaft Seal
7	1	700530	Shaft Seal
8	As Req'd	700520	Shim, .007"
9	As Req'd	700548	Shim, .007"
10	1	700535	Gasket
11	2	700528	Snap Ring
12	1	700527	Snap Ring
13	1	700547	Key, 3/8 Sq.
14	8	700546	Hex Bolt, 3/8-16 x 1 Grd5
15	8	700545	Hex Bolt, 3/8-16 x 3/4 Grd5
16	1	700544	Pressure Vent, 5 PSI
17	1	-----	Pipe Plug, 1/2 NPT
18	1	-----	Pipe Plug, 3/8 NPT
19	1	-----	Vent Plug, 1/2 NPT
20	2	700526	Washer
21	1	700525	Spacer
22	1	700540	Plate
23	1	700539	Cover
24	1	700538	Gear, 16 Tooth
25	1	700537	Gear, 29 Tooth
26	1	700536	Cross Shaft
27	1	700524	Quill Shaft



GEARBOX 1:1
 (#700276)

ITEM NO.	QUANTITY	PART NO.	DESCRIPTION
1	1	700550	Case, gear box
2	1	700539	Cover
3	1	700540	Plate
4	3	999409	Bearing Cone
5	3	990001	Bearing Cup
6	1	990946	Bearing Cone
7	1	700531	Bearing Cup
8	2	700551	Gear, 22 Tooth
9	1	700535	Gasket
10	3	700528	Snap Ring
11	3	100526	Washer
12	1	700552	Spacer
13	2	700532	Shaft Seal
14	1	700530	Shaft Seal
15	1	700533	Cross Shaft
16	1	700534	Quill Shaft
17	2	700547	Key, 3/8" Sq.
18	1	-----	Pipe Plug, 3/8 NPT
19	1	-----	Pipe Plug, 1/2 NPT
20	1	-----	Vent Plug, 1/2 NPT
21	8	700546	Hex Bolt, 3/8-16 x 1 Grd5
22	As Req'd	700529	Shim, .007"
23	As Req'd	700548	Shim, .007"
24	8	700545	Hex Bolt, 3/8-16 x 3/4 Grd5



OVERRUNNING CLUTCH/YOKE ASSEMBLY
 (#700279)

ITEM NO.	QUANTITY	PART NO.	DESCRIPTION
1	1	700709	Clutch Housing, RH
2	1	700710	Hub
3	2	700711	Key
4	2	700712	Leaf Spring
5	1	700713	Supporting Ring
6	1	700714	Retaining Ring
7	2	700715	Clamp Bridge
8	2	700716	Hex Bolt, M16 x 110
9	2	700717	Lock Nut, M16
10	1	700706	Yoke, Shear
11	24	700707	Ball
12	1	700708	Hub, Shear
13	1	-----	Hex Bolt, 5/16 x 2 Grd5
14	1	-----	Lock Nut, 5/16
15	1	990874	Cross & Bearing Kit
16	1	700718	Yoke Assembly, Overrunning
17	1	700719	Yoke Assembly, Shear

NOTES

	HUB PACKAGE	-----	871200-10		
	SUB ASSEMBLY		871300-10		
	INNER CUP	-----	P702226	39520	
	OUTER CUP		P702231	453A	
	INNER CONE	-----	P752332	39585	39590
	OUTER CONE		P752325	460	
701716	WHEEL BOLT	-----	P943303		
701717	NUT		P201630		
	GREASE SEAL	-----	P602128	CR30087	
	GASKET		P602150		
	HUB CAP	-----	P502016		

GKN ARMSTRONG
HUB PACKAGE 871200-10

-	-	-	-
REV.	REVISIONS	BY	DATE

-	-	-	-	-
ITEM	QTY.	SIZE	PART NO.	DESCRIPTION
P.O. BOX 190 101 MAIN ST.		PARMA COMPANY		PARMA, IDAHO 83660
HUB PACKAGE, 871				
MANUFACTURING TOLERANCES (UNLESS OTHERWISE SPECIFIED)		DRAWN: RH	5/12/05	NEXT ASSEMBLY: -
FRACTIONS ± 1/16		APPROVED:	SHEET 1 OF 1	
DECIMALS ± .010		DRAWING NO. 8701283	REV.	SCALE
ANGLES ± 1°			-	-

