

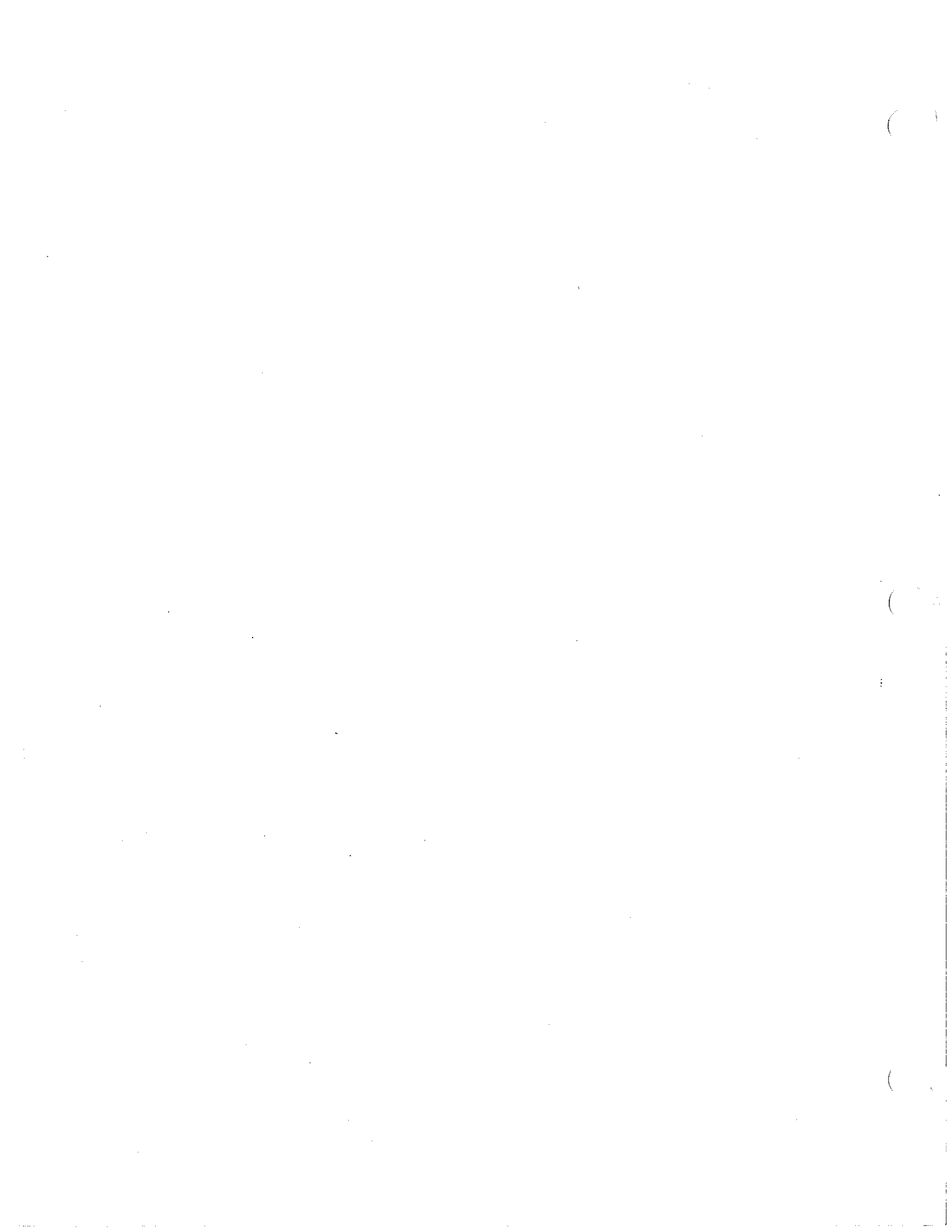
PARMA[®]

**Forage
Box
OPERATOR'S/PARTS MANUAL**

Manual Number 032902-BOX

PARMA COMPANY

P.O. BOX 190
PARMA, IDAHO 83660
PHONE (208) 722-5116 FAX (208) 722-6012
E-Mail: www.parmacompany.com

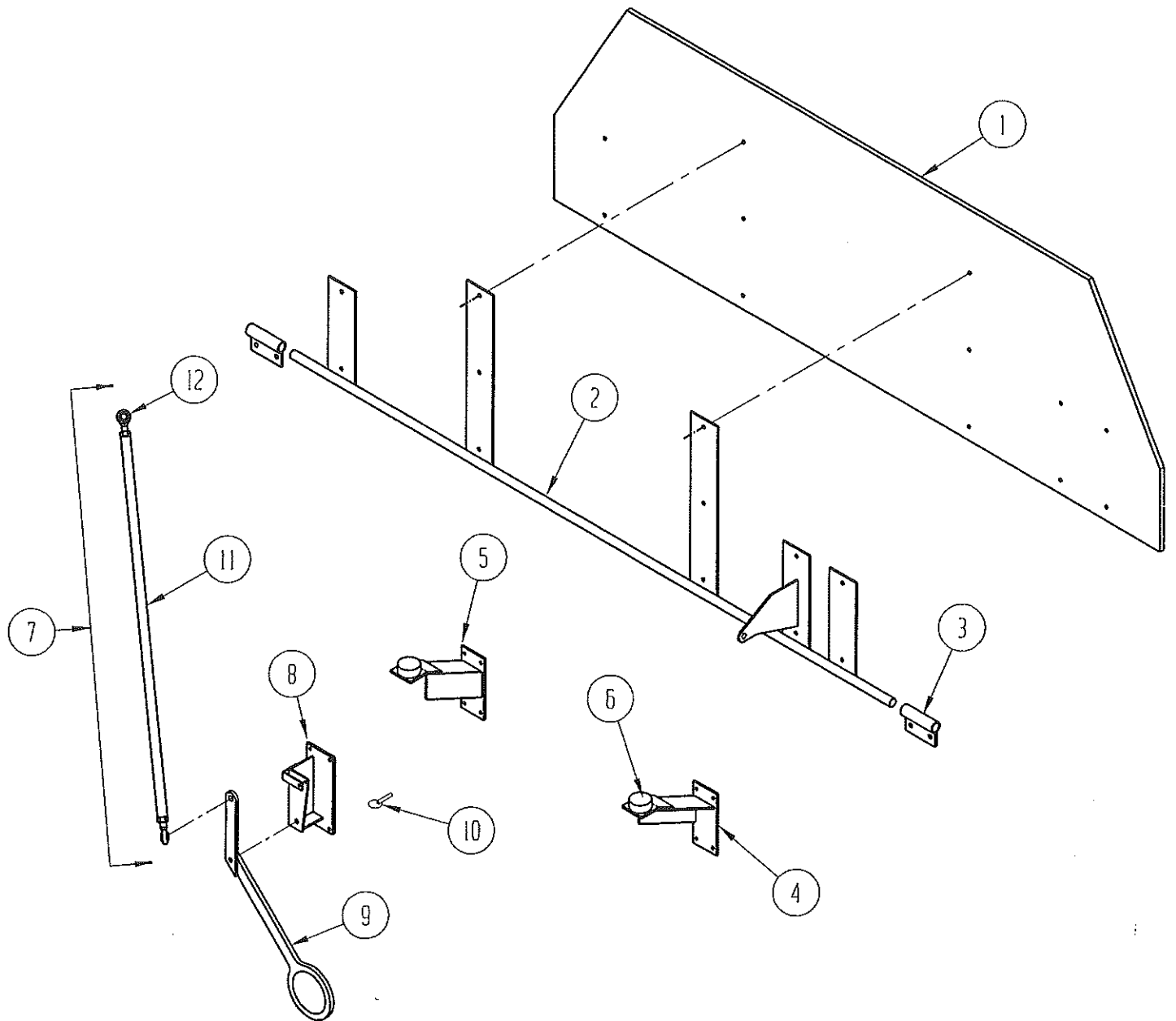


PARMA[®]

**Forage
Box
PARTS SECTION**

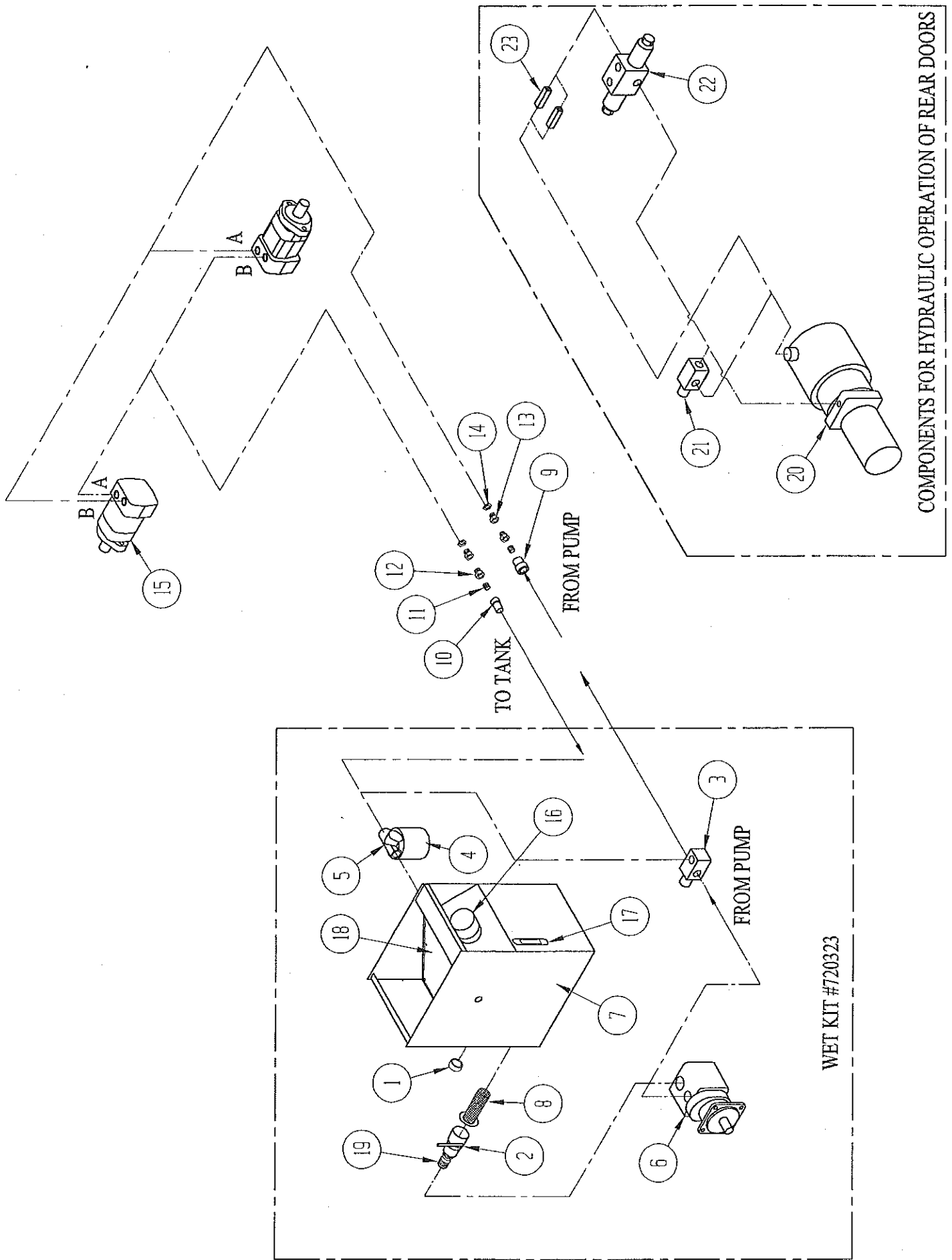
TABLE OF CONTENTS

DECAL GROUP	13
ELECTRIC CONTROLS (Hydraulic Rear Doors)	8
FOLD DOWN DOOR ASSEMBLY	1
FLOOR CHAIN DRIVE ASSEMBLY	11
HYDRAULIC COMPONENTS	3
REAR DOOR ASSEMBLY (Air Controlled)	4
REAR DOOR ASSEMBLY (Hydraulic Controlled)	5
REAR DOOR CLOSER (Air Controlled)	6
SWITCH BOX ASSEMBLY (Air Controlled Doors)	7
SWITCH BOX ASSEMBLY (Hydraulic Controlled Doors)	9
TOP COVER, BOX MOUNTING PARTS	14



FOLD DOWN DOOR ASSEMBLY

ITEM NO.	QUANTITY	PART NO.	DESCRIPTION
1	1	720070	Front Door Panel
2	1	720071	Door Mount
3	2	720090	Door Pivot
4	1	720093	LH Door Stop
5	1	720094	RH Door Stop
6	2	700280	Rubber Door Bumper
7	1	720099	Tie Rod Assembly
8	1	720085	Handle Support
9	1	720060	Door Handle
10	1	530053	Lynch Pin, 3/8 x 1 1/4
11	1	720100	Tie Rod Pipe
12	2	720101	Rod End



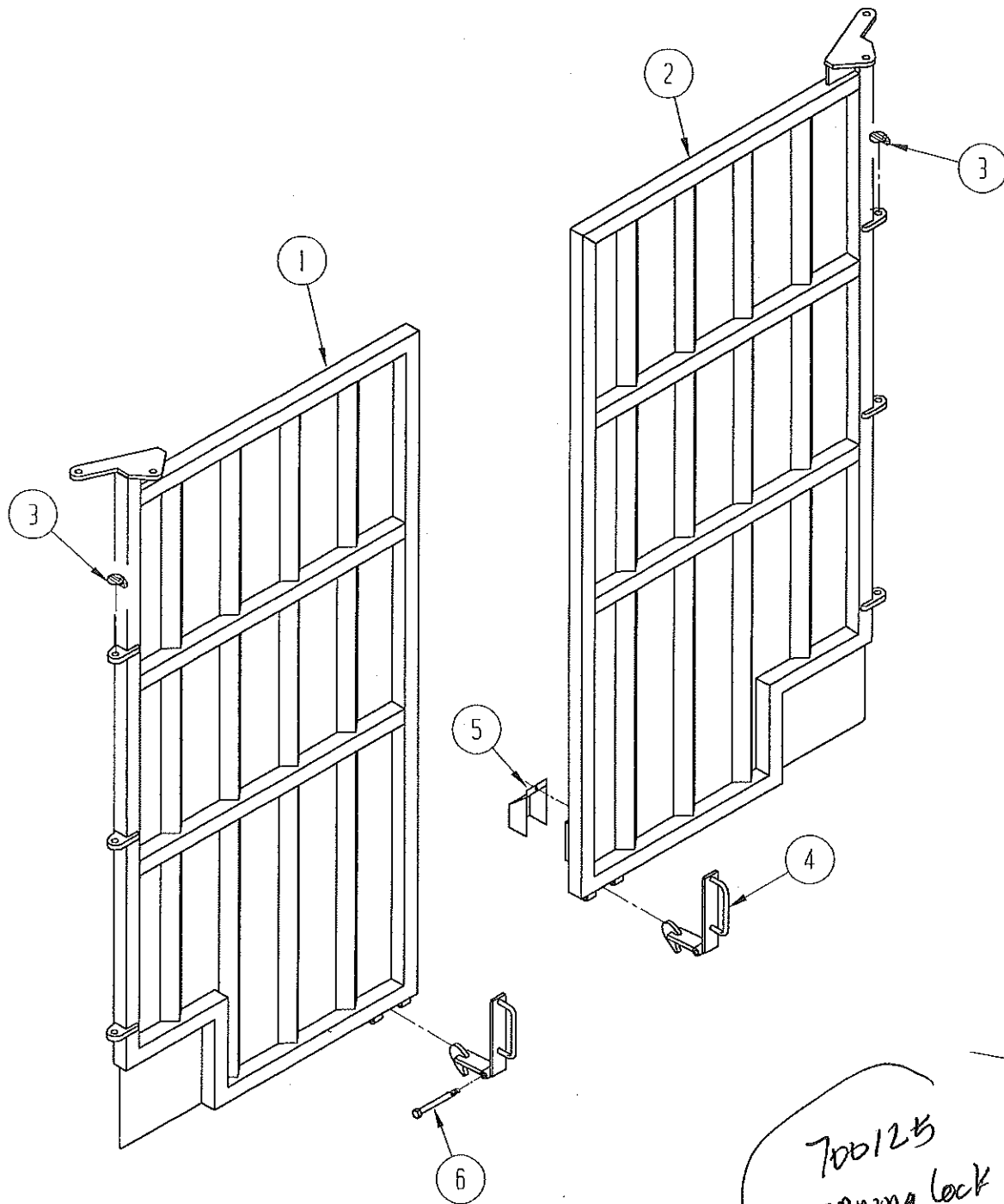
WET KIT #720323

COMPONENTS FOR HYDRAULIC OPERATION OF REAR DOORS

HYDRAULIC COMPONENTS

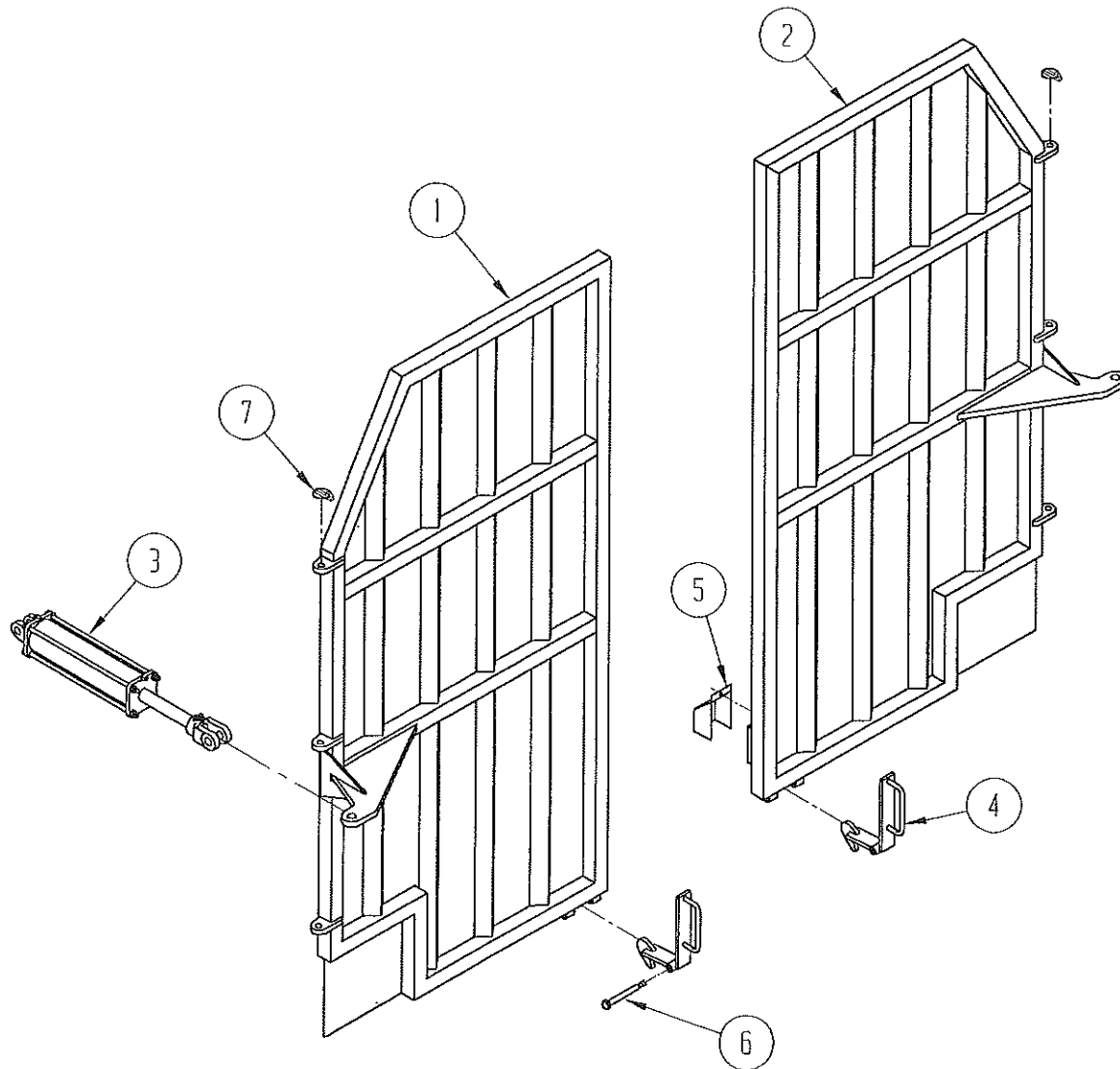
ITEM NO.	QUANTITY	PART NO.	DESCRIPTION
1	1	-----	Pipe Plug, 1 1/2 NPT
2	1	250183	Ball Valve, 1 1/2"
3	1	264886	Relief Valve (See Below)
	1	264887	Relief Valve Cartridge Only
4	1	700225	Filter Element
5	1	700226	Filter Head
6	1	700324	Hydraulic Motor
7	1	700565	Hydraulic Reservoir
8	1	700230	Suction Strainer, 1 1/2"
9	2	H8-62	Quick Coupler, Female
10	2	H8-63	Quick Coupler, Male
11	2	-----	Pipe Nipple, 1" NPT
12	2	0201-16-12	Reducing Adapter
13	2	0253-12-12	Bulkhead Fitting
14	2	53N-12	Lock Nut
15	2	311092	Hydraulic Motor
16	1	700227	Cap Assembly
17	1	700231	Sight Gauge
18	1	700036	Cover Plate
19	1	290108	King Nipple, 1 1/2"
20	1	720158	Pump/Motor Unit
21	1	720160	Relief Valve (See Below)
	1	720443	Relief Valve Cartridge
	1	720444	Relief Valve Body
22	1	720159	Control Valve Assembly (See Below)
	1	720446	Control Valve
	1	720447	Sub-Plate
	1	720448	Bolt Kit
23	2	720165	Check Valve

700655 Flow Divider BRAND FG 54-3/4



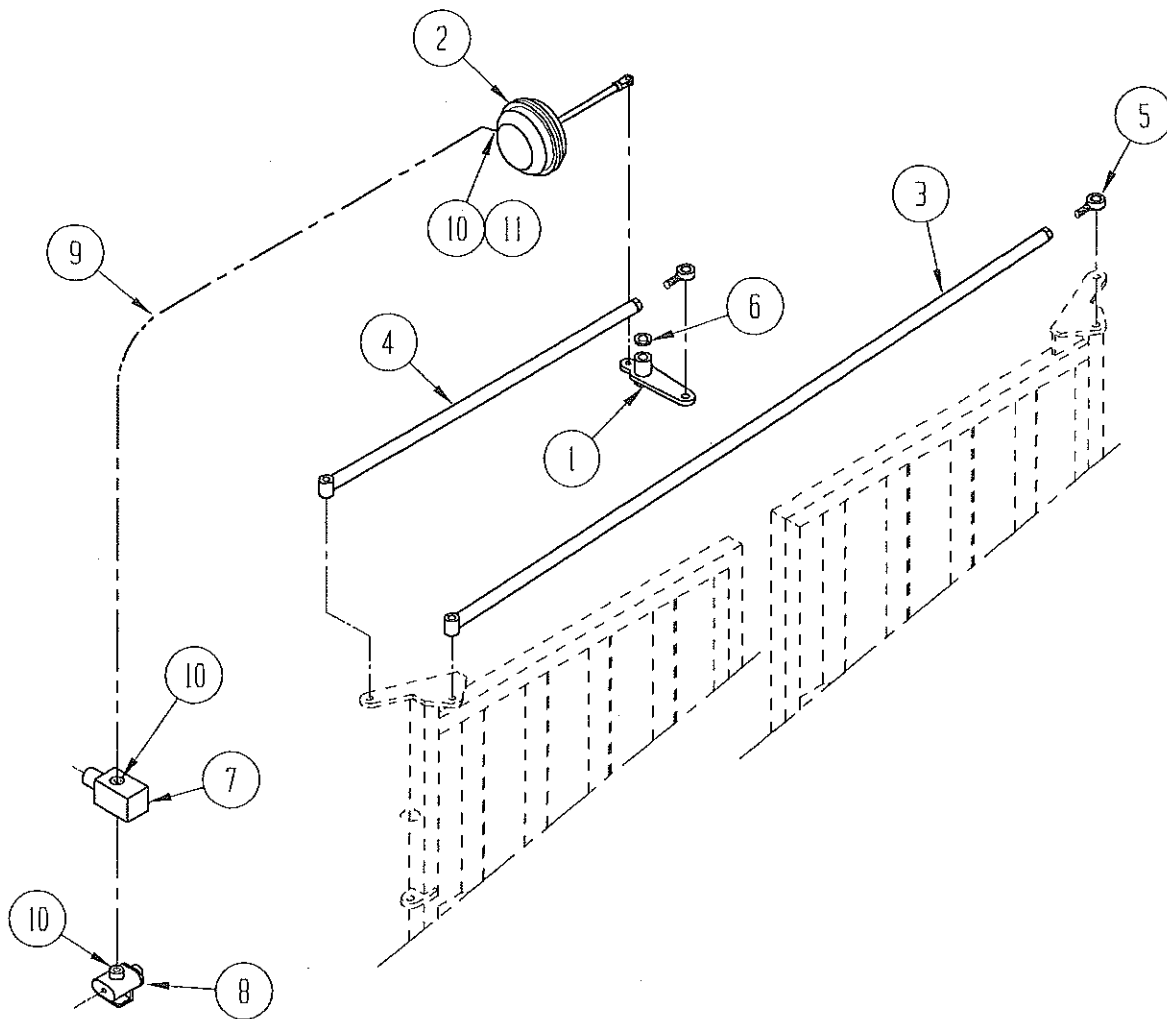
REAR DOOR ASSEMBLY (Air Controlled)

ITEM NO.	QUANTITY	PART NO.	DESCRIPTION
1	1	720393	LH Rear Door
2	1	720394	RH Rear Door
3	4	530053	Lynch Pin, 3/8"
4	2	720119	Door Handle
5	2	720365	Spring Lock Cover
6	2	-----	Hex Bolt, 1/2 x 6



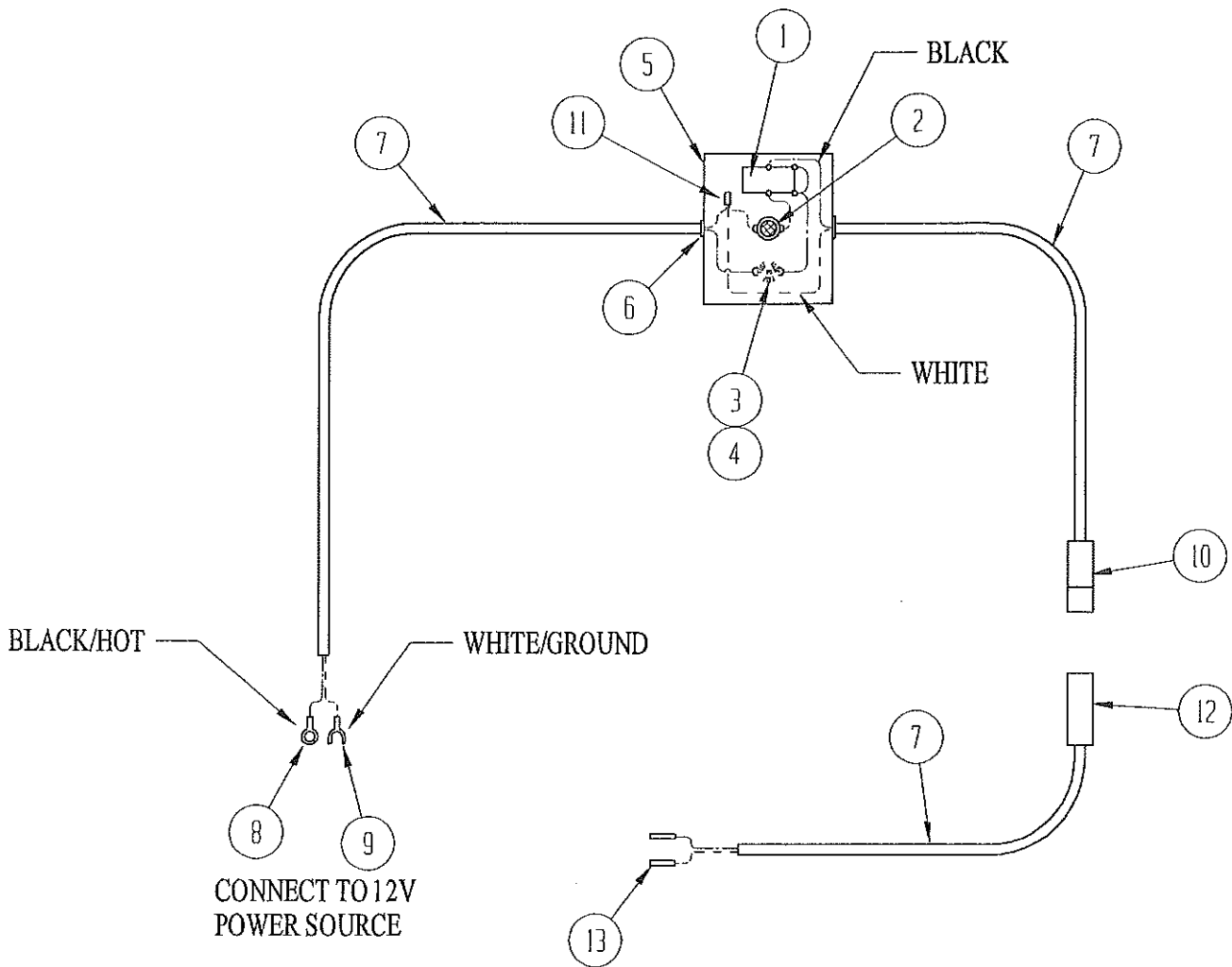
REAR DOOR ASSEMBLY (Hydraulic Controlled)

ITEM NO.	QUANTITY	PART NO.	DESCRIPTION
1	1	720344	LH Rear Door
2	1	720345	RH Rear Door
3	2	720157	Hydraulic Cylinder, 2 x 10
4	2	720119	Door Handle
5	2	720365	Spring Lock Cover
6	2	-----	Hex Bolt, 1/2 x 6
7	4	530053	Lynch Pin, 3/8"



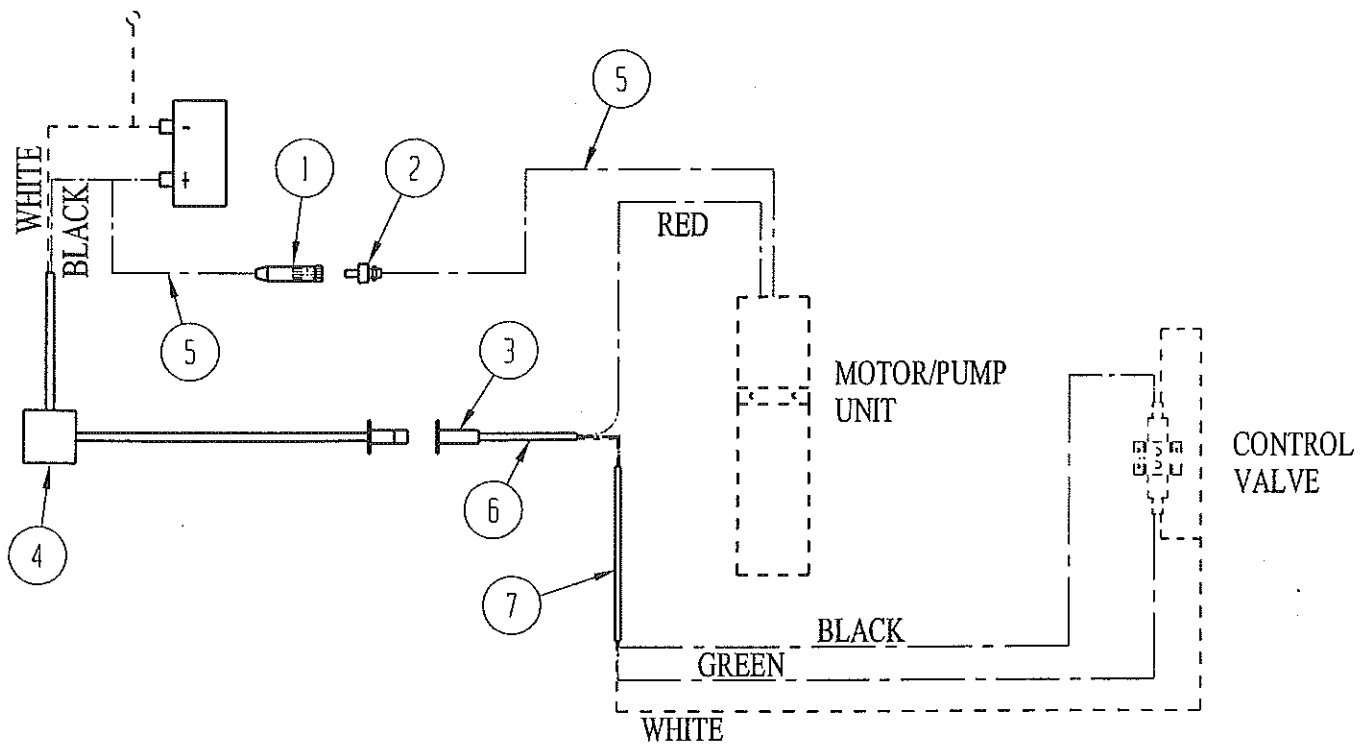
REAR DOOR CLOSER (Air Control)

ITEM NO.	QUANTITY	PART NO.	DESCRIPTION
1	1	720308	Control Arm
2	1	720309	Air Chamber
3	1	720315	Long Tie Rod
4	1	720312	Short Tie Rod
5	2	720318	Male Rod End
6	1	720317	Washer
7	1	720322	Solenoid Valve
8	1	720321	Air Regulating Valve
9	40 Ft.	720245	Air Hose, 3/8"
10	5	1368-6B	Hose Fitting, 1/4 NPT to 3/8 NPT
11	1	0102-6-4	Bushing, 3/8 - 1/4 NPT



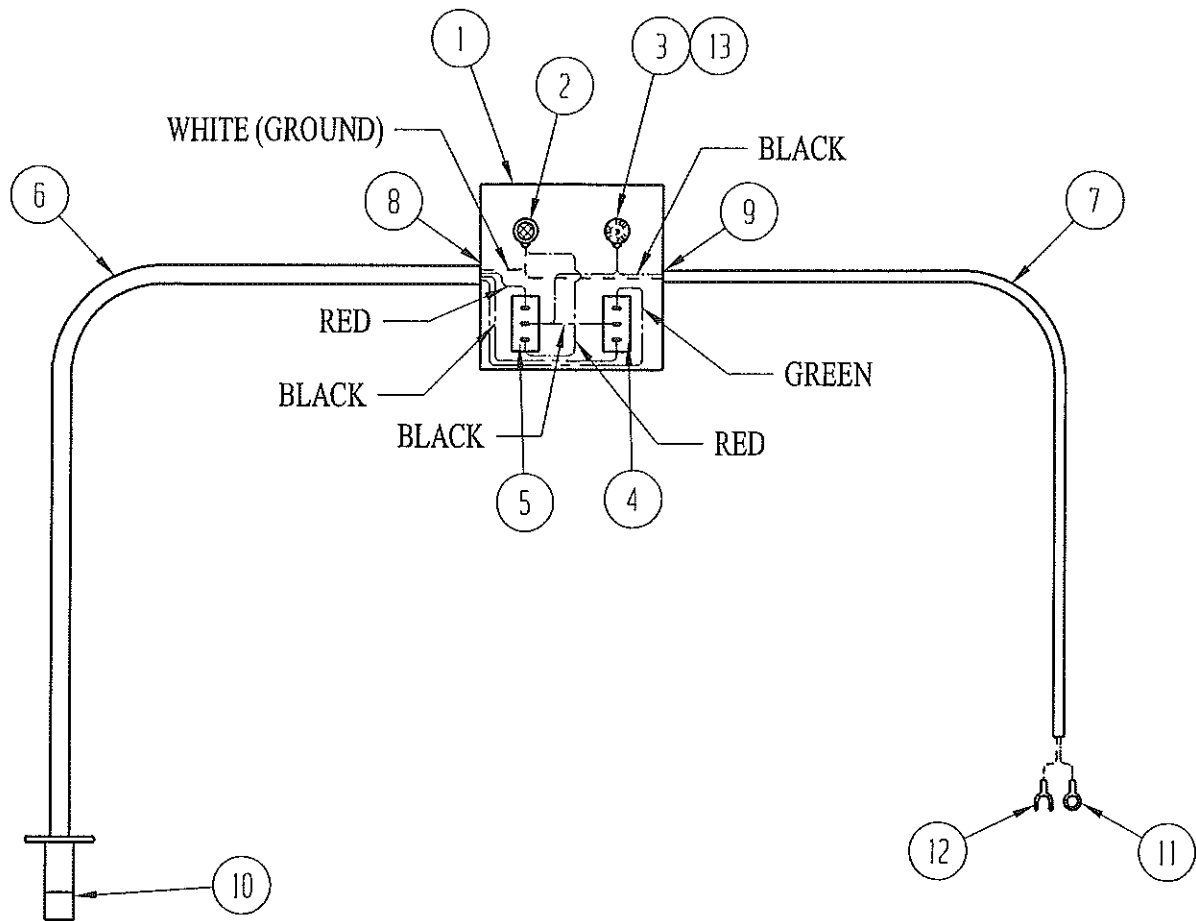
SWITCH BOX ASSEMBLY (Air Controlled Doors)
 (#999077)

ITEM NO.	QUANTITY	PART NO.	DESCRIPTION
1	1	999145	Toggle Switch, 3A.125V
2	1	100150	Light
3	1	999146	Fuse Holder, 15A.250V
4	1	999152	Fuse, 20A
5	1	999154	Chassis Box
6	3	999151	Rubber Grommet
7	29 Ft.	999274	Wire, 16/2 Type SJ
8	1	999270	Ring Tongue Terminal, 16 Ga.
9	1	999271	Spade Tongue Terminal, 16 Ga.
10	1	999148	Connector, Female Half
11	1	999316	Wire Nut, 14-22
12	1	999149	Connector, Male Half
13	2	-----	Butt Connector, 16/2



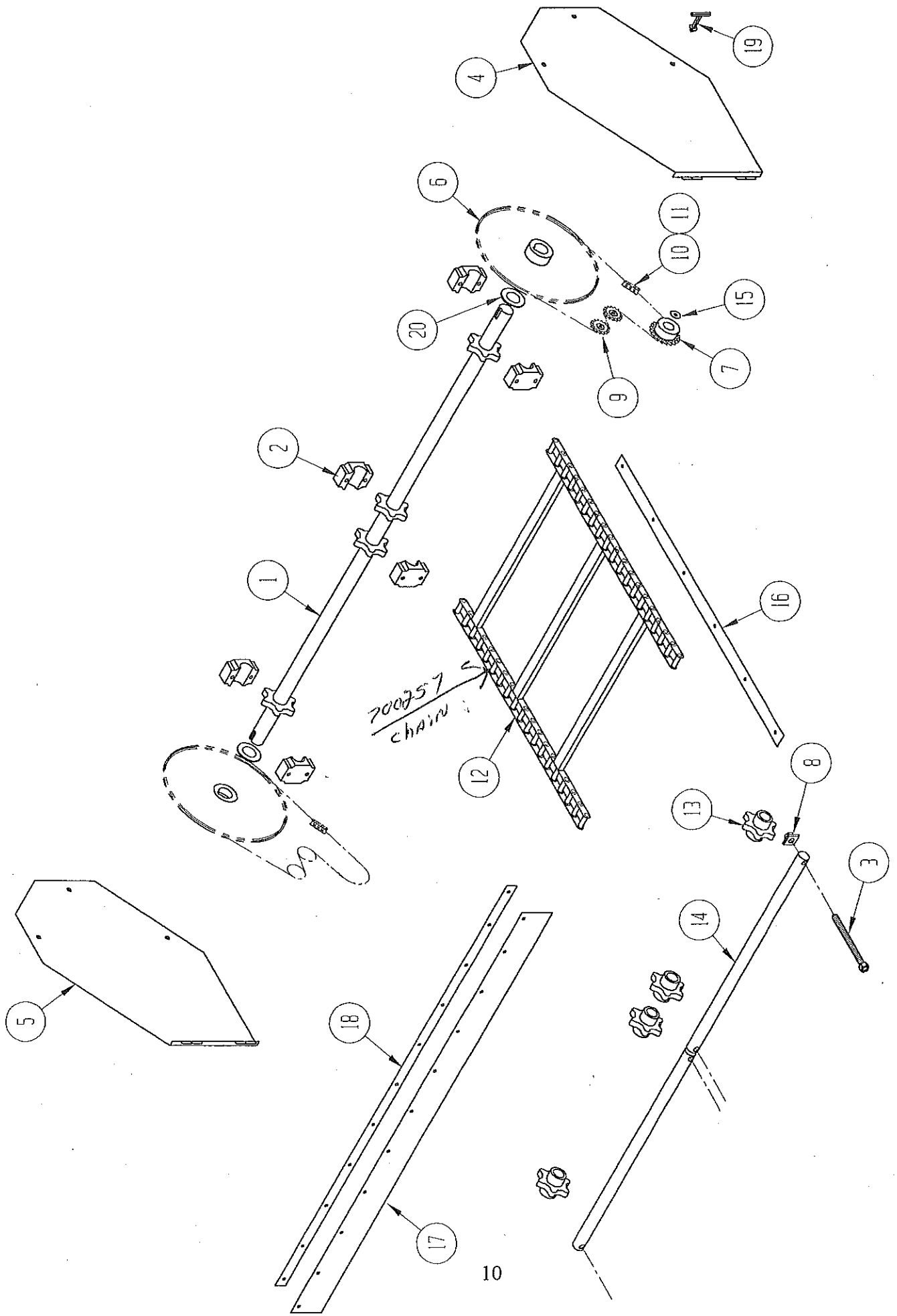
ELECTRICAL CONTROLS (Hydraulic Doors)

ITEM NO.	QUANTITY	PART NO.	DESCRIPTION
1	1	720354	Cable Socket
2	1	720353	Male Connector
3	1	720258	Receptacle, 4 Wire
4	1	720259	Switch Box Assembly (See Page 9)
5	As Req'd	720260	Cable, #2 Wire
6	As Req'd	720261	Cable, 16-4 Wire - Type SJ
7	As Req'd	999358	Cable, 16-3 Wire - Type SJ



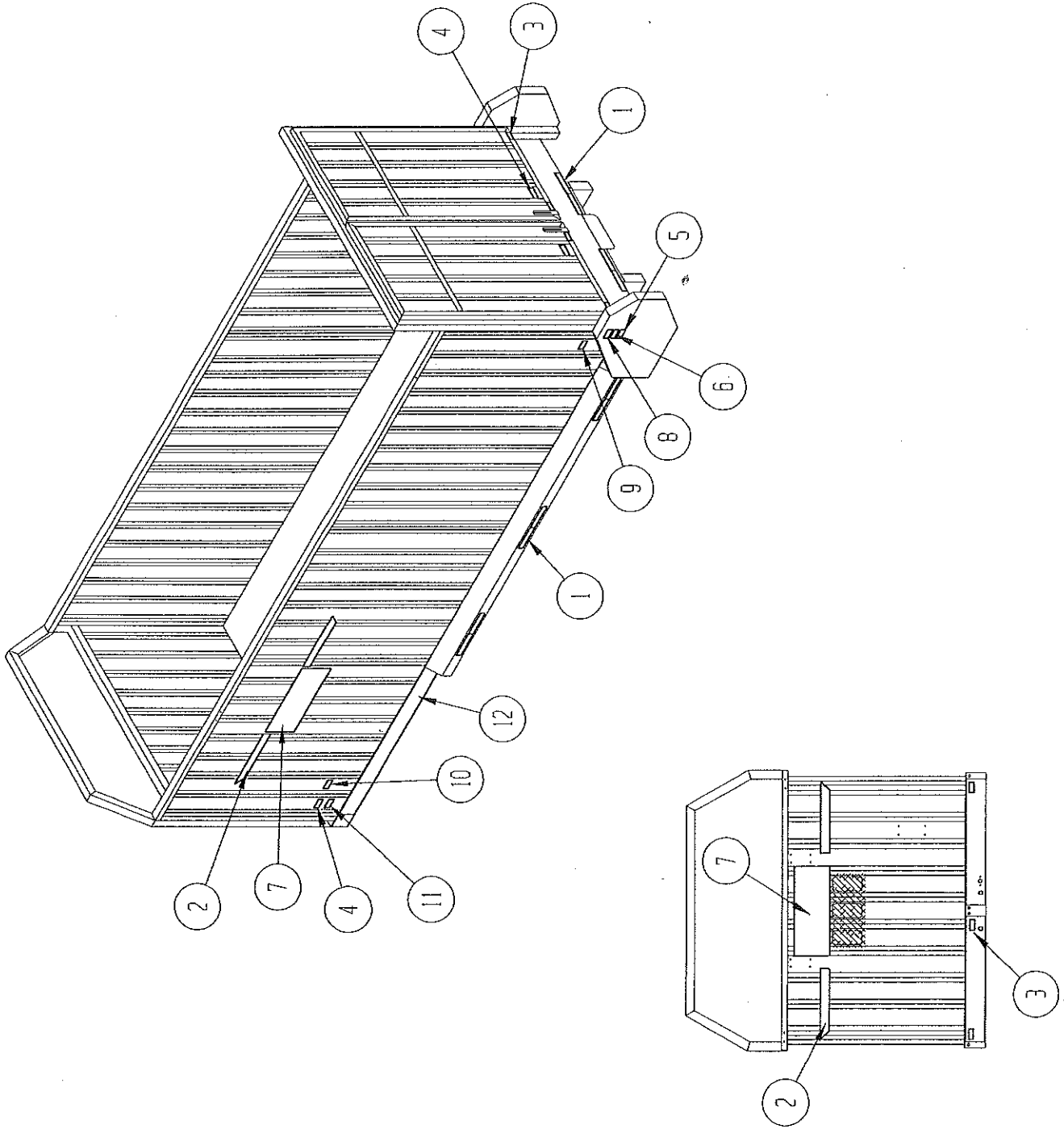
SWITCH BOX ASSEMBLY (Hydraulic Controlled Doors)
 (#720259)

ITEM NO.	QUANTITY	PART NO.	DESCRIPTION
1	1	720374	Electrical Box
2	1	100148	Light
3	1	999146	Fuse Holder
4	1	290564	Momentary Switch
5	1	999145	On/Off Switch
6	16'	720261	Cable, 16-4 Wire - Type SJ
7	8'	999318	Cable, 14-2 Wire - Type SJ
8	1	-----	Connector, Strain Relief (4 Wire)
9	1	-----	Connector, Strain Relief (2 Wire)
10	1	720257	Male Plug, 4 Wire
11	1	-----	Terminal, 14 Ga. Ring
12	1	-----	Terminal, 14 Ga. Spade
13	1	999272	Fuse, 30 Amp



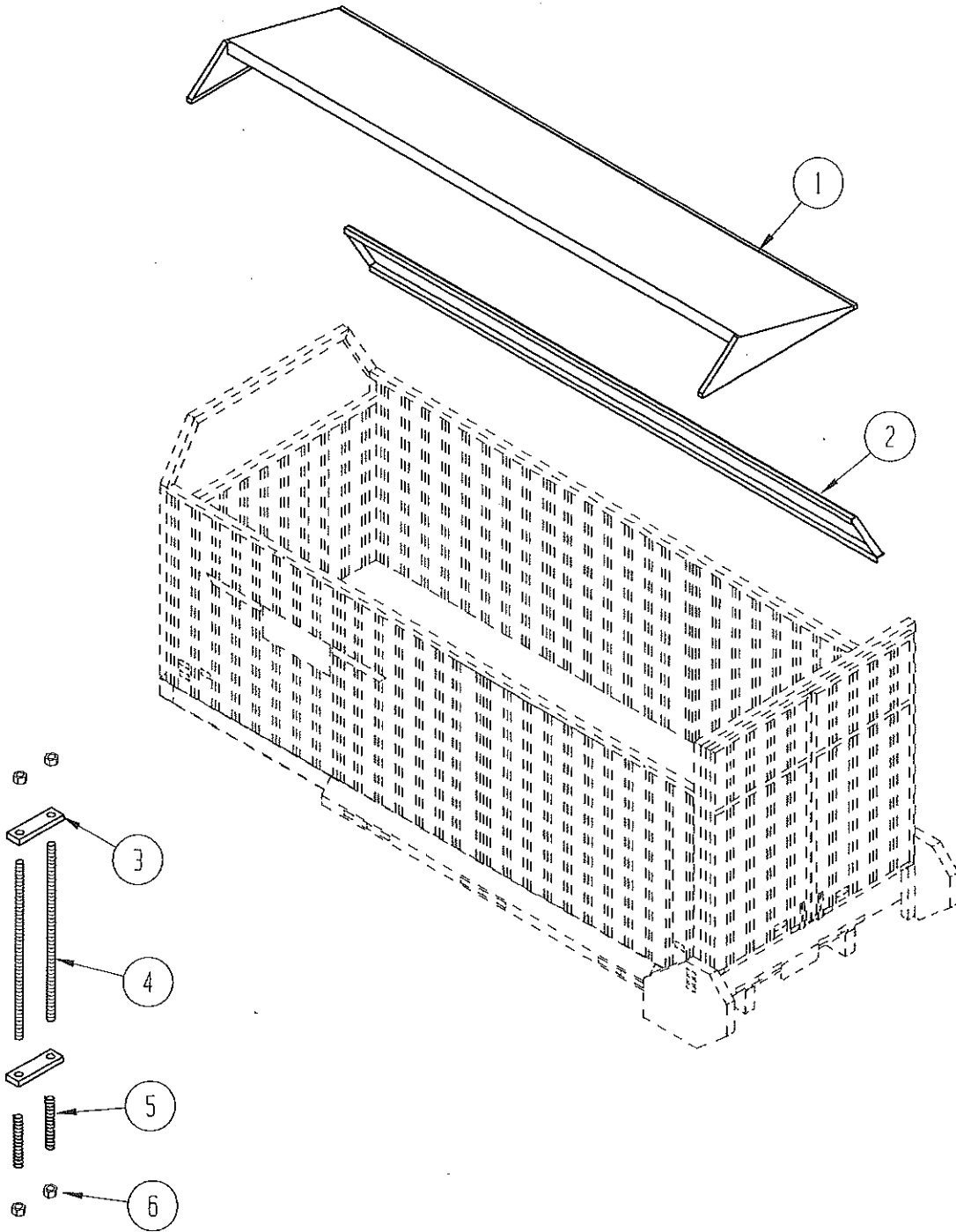
FLOOR CHAIN DRIVE ASSEMBLY

ITEM NO.	QUANTITY	PART NO.	DESCRIPTION
1	1	720057	Floor Shaft
2	3	700397	Floor Drive Bearing
3	4	720054	Adjusting Bolt
4	1	720065	LH Drive Door
5	1	720066	RH Drive Door
6	2	700396	Sprocket, 60B 90 Tooth
7	2	980602-1 ¼	Sprocket, 60B 18 Tooth
8	4	700129	Tensioner Nut
9	4	980685	Idler Sprocket, RC60 15 Tooth
10	2	980909	Roller Chain, RC60 Hvy 140 Pitches
11	2	980980	Master Link, RC60 Hvy
12	8.2	720055	Floor Chain Section, 10 Ft.
13	4	700246	Idler Sprocket, 1 15/16 Bore
14	2	720053	Front Idler Shaft
15	2	-----	Fender Washer, 3/8
16	4	720306	Chain Runner
17	1	720036	Slope Panel Seal
18	1	720037	Slope Seal Bar
19	1	700398	Latch Key
20	2	720375	Hub Spacer



DECAL GROUP

ITEM NO.	QUANTITY	PART NO.	DESCRIPTION
1	8	700495	Reflective Tape, 2 x 22"
2	6	700499	Decal, Stripe
3	7	700497	Decal, Grease Gun
4	4	700493	Decal, Do Not Enter
5	2	700492	Decal, Lubricate
6	2	700500	Decal, Turn Engine Off
7	3	700167	Decal, Parma
8	2	700498	Decal, Chain Lube
9	2	700502	Decal, Replace Shields
10	2	700489	Decal, Adjust Chains
11	2	700491	Decal, Grease Entire Machine
12	2	700563	Decal, Yellow Strip - 231"



TOP COVER & BOX MOUNTING PARTS

ITEM NO.	QUANTITY	PART NO. AIR DOORS	PART NO. HYD. DOORS	DESCRIPTION
1	1	720396	720419	Top Cover
2	1	720385	720421	Side Extension
3	4	700141	700141	Clamp Bar
4	4	700272	700272	Clamp Rod
5	4	700203	700203	Spring
6	8	-----	-----	Lock Nut, 7/8

NOTES

()

()

()

NOTES