

PARMA COMPANY

Combo Box

Owners Manual

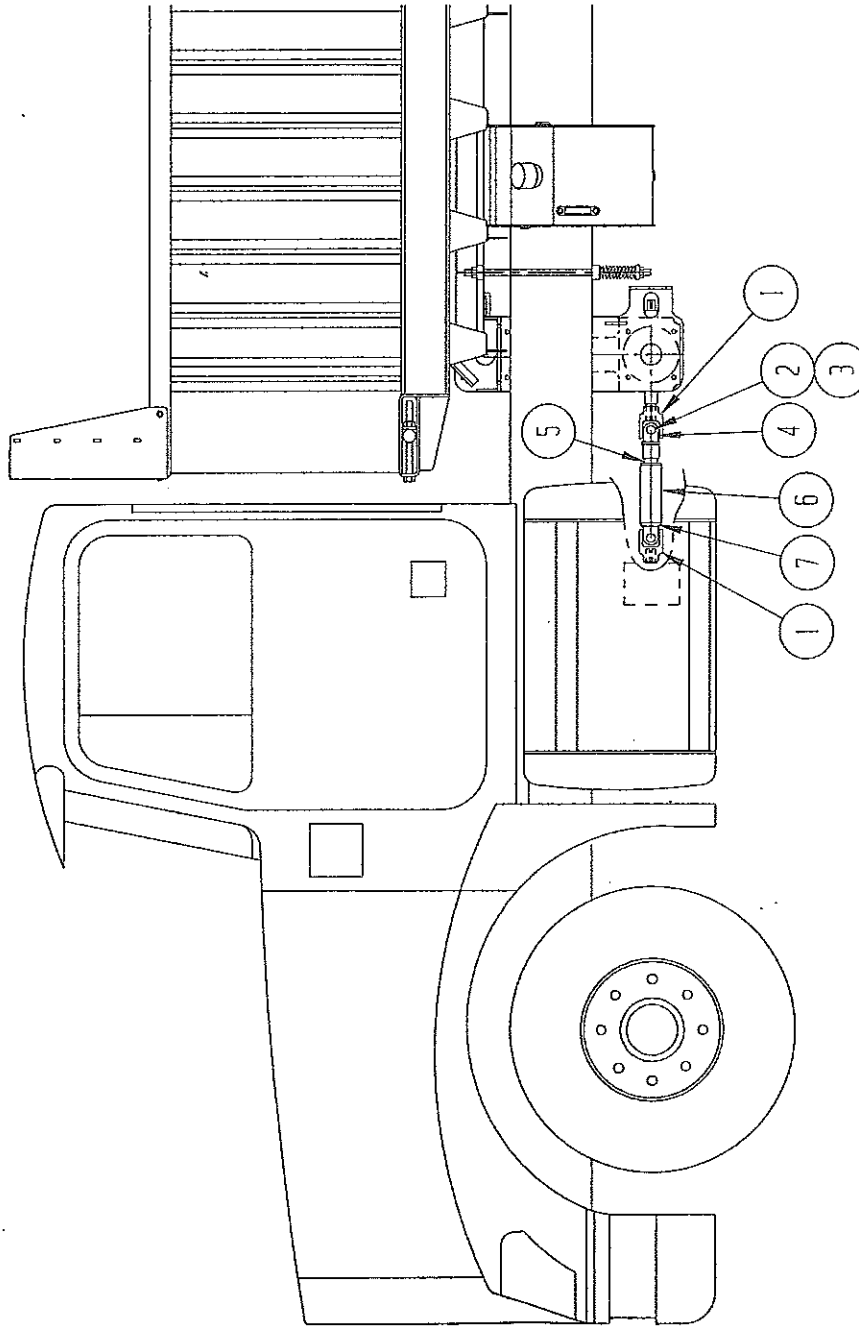
Manual Number

By:

PARMA COMPANY

P.O. BOX 190
PARMA, IDAHO 83660
PHONE (208) 722-5116 FAX (208) 722-6012
E-Mail: www.parmacompany.com

Sugarbeet Harvesting Equipment - Tillage Equipment - Onion Equipment - Arena Groomer - Water and
Waste Pumps



NOTE: THE LENGTH OF THE ASSEMBLED
 DRIVELINE WILL VARY WITH THE TRUCK
 TRANSMISSION AND PTO TYPE.

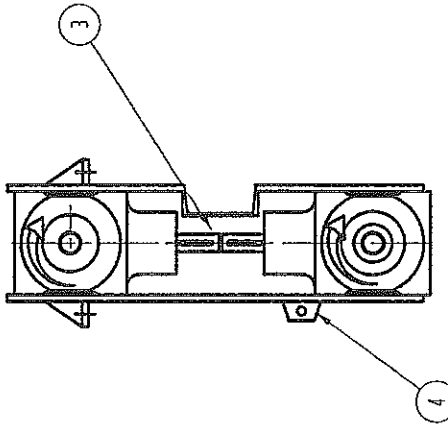
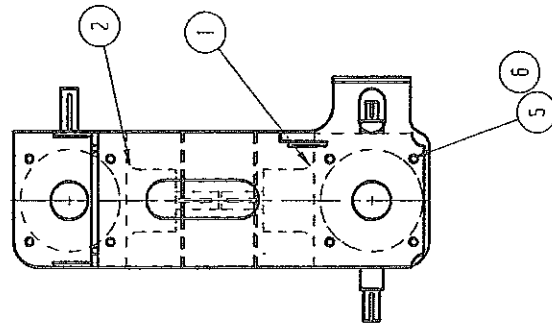
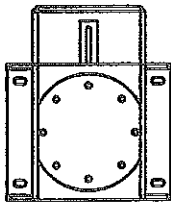
ITEM	QTY.	SIZE	PART NO.	DESCRIPTION
7	1	-	700459	WELD YOKE #N3-28-557
6	1	-	700456	TUBE #N28-30-62-72
5	1	-	700460	STUB SHAFT #N3-40-1561
4	1	-	700458	SLIP YOKE #N3-3-508KX
3	2	-	700457	U-BOLT KIT #1-0099
2	2	-	700462	CROSS & BEARING KIT #2-0054
1	2	-	700461	YOKE #3-4-343

P.O. BOX 190
 101 MAIN ST.
PARMA COMPANY
 PARMA, OHIO
 44886

MANUFACTURING TOLERANCES
(unless otherwise specified)
 FRACTIONS ± 1/16
 DECIMALS ± .010
 ANGLES ± 1°

DRAMA: RK 3/13/01 NEXT ASSEMBLY: -
 APPROVED: SHEET 1 OF 1
 DRAWING NO. B700473 REV. -
 SCALE 1/20

REV.	REVISIONS	BY	DATE
A	REDRAWN TO SHOW ILLUSTRATION & QUANT, DELETED #700463 DRIVELINE	RK	3/13/01

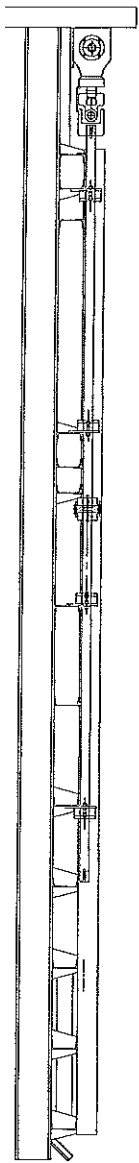


DIRKS # 321180

ITEM	QTY.	SIZE	PART NO.	DESCRIPTION
7	1	A	700297	ARM, CONTROL
6	16	-	-	WASHER, FLAT - 5/8 PLT
5	16	-	-	BOLT, 5/5 X 1 1/2 NC/PLT
4	1	C	700296	HOUSING, GEAR BOX
3	1	B	700295	COUPLER, SPLINED - 20T
2	1	-	700276	GEAR BOX 1 : 1
1	1	-	700294	GEAR BOX - 1.81 : 1

P.O. BOX 190 107 MAIN ST.		PARMA COMPANY PARMA, OHIO 43055	
DRAWING NO. 700293		REV. -	SCALE 1/8"
MANUFACTURING TOLERANCES DIMENSIONS ± 1/16 ANGLES ± 1°		DATE 11/03/00	REV. ASSY. -
DESIGNER IF		DATE 11/03/00	REV. 1
CHECKER IF		DATE 11/03/00	REV. 1

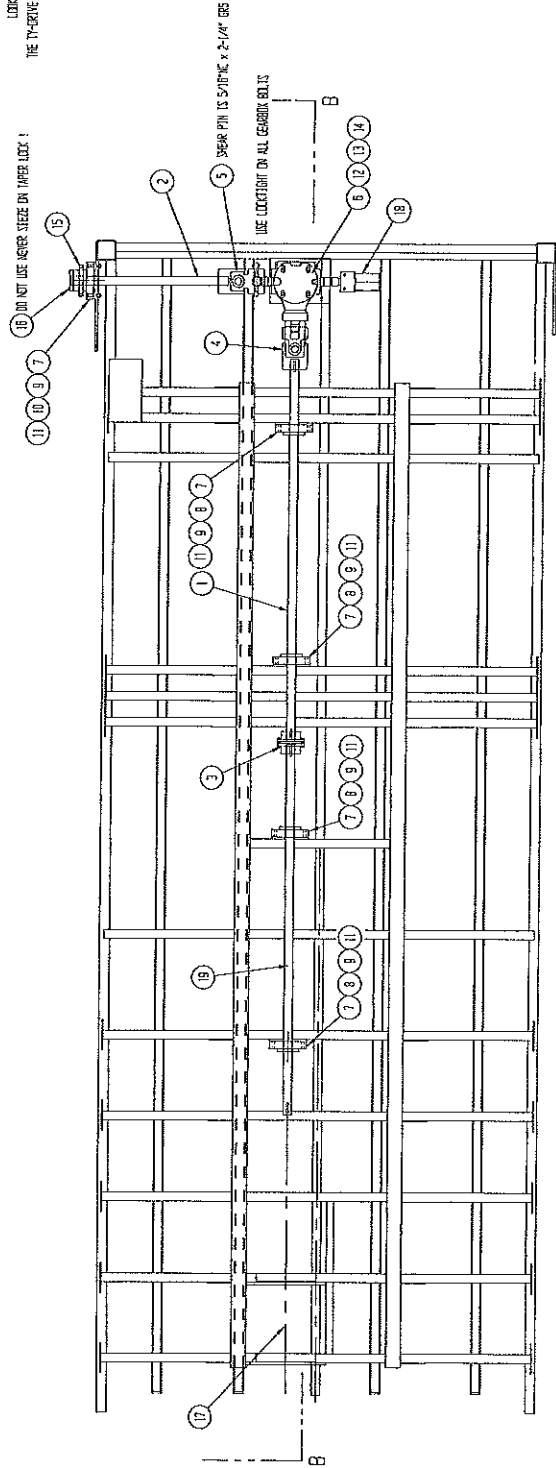
B	REILLUSTRATED ITEM #4 TO ORIGINAL DESIGN	RK	3/20/01
A	REILLUSTRATED ITEM #4	RK	3/5/01
REV.	REVISIONS	BY	DATE



SIDE VIEW, SECTION BB

LOCKING FROM THE INVERSE SIDE THE SHAFT MUST TURN CLOCKWISE.

LOCKING FROM THE FRONT TOWARDS THE BACK THE TY-DRIVE INPUT SHAFT MUST TURN COUNTER CLOCKWISE.



BOTTOM VIEW (LOOKING FROM THE GROUND UP)

NOTE:
 USE FLANGE BEARING - 2 BOLT (PART 208) LOCKING COLLAR ALWAYS AT OUT PUT DRIVE SPEEDOUT FLANGE.
 FLANGE BEARING - 2 BOLT (PART 208) LOCK COLLAR OR SWP 208 (NOT SOCKET) CAN BE INTERCHANGED UNDER FLANGE AND

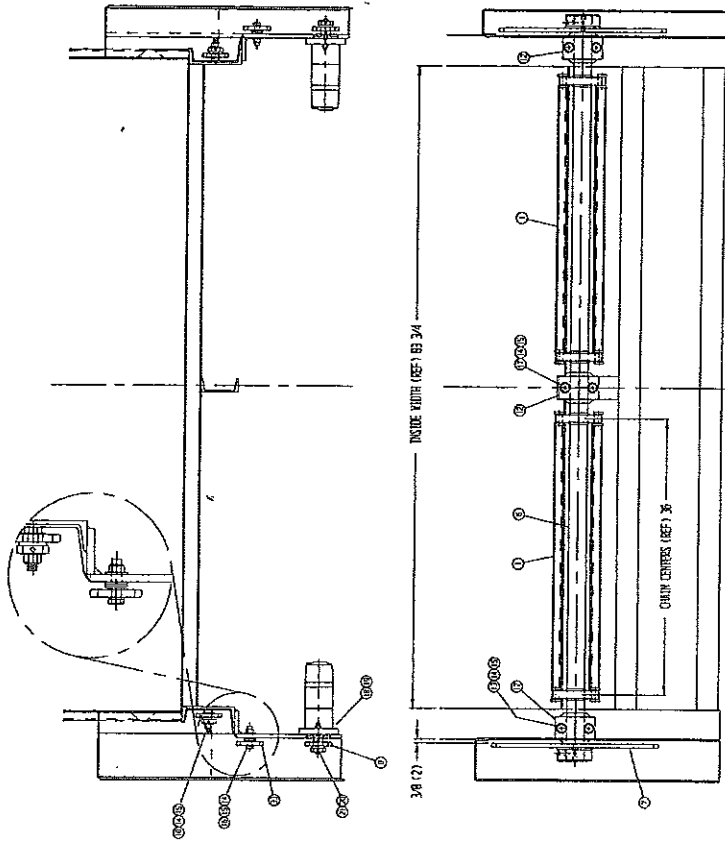
DRAWING NO. 07003088

ITEM NO.	QTY.	SIZE	PART NO.	DESCRIPTION
19	1	B	70052	SHAFT, FRONT MAIN DRIVE
18	1	-	70050	COVER BUSH, SHAFT
17	1	-	70043	DRIVE LINE, PFD
16	1	-	90210	BUSHING-TAPER 1/34 (DIN-21)
15	1	-	70035	SPACER, HOOD#4
14	4	-	-	WASHER - LOCKING PTD 5/8
13	4	-	-	WASHER - PLAT OUT PTD 5/8
12	4	-	-	BOLT, HE. CDS PTD 5/8 X 1 3/4
11	10	-	-	WASHER - PLAT OUT PTD 1/2
10	2	-	-	BOLT, HE. CDS PTD 1/2 X 2 1/2
9	10	-	-	NUT, W/LOCK HE. PTD 1/2
8	8	-	-	BOLT, HE. - CDS PTD 1/2 X 2
7	5	-	80105	BEARING, 2 BOLT FLANGE 1 3/4
6	1	-	70076	GEARBOX 1:1
5	1	-	70079	Yoke ASB, DRG. ING. CLUTCH BOLT
4	1	-	70078	Yoke ASB, U-JOINT GRD
3	1	A	70059	CHAIN COUPLING GR
2	1	A	70021	SHAFT, OUTPUT DRIVE
1	1	B	70051	SHAFT, FRONT MAIN DRIVE

ITEM NO.	QTY.	SIZE	PART NO.	DESCRIPTION
E	1	3/16" DIA	70021	CHAIN COUPLING GR
D	1	3/16" DIA	70021	SHAFT, OUTPUT DRIVE
C	1	1/2" DIA	70051	SHAFT, FRONT MAIN DRIVE
B	1	1/2" DIA	70051	SHAFT, FRONT MAIN DRIVE
A	1	1/2" DIA	70051	SHAFT, FRONT MAIN DRIVE

PARMA COMPANY
 MECHANICAL DRIVE ASH
 DRAWING NO. 07003088

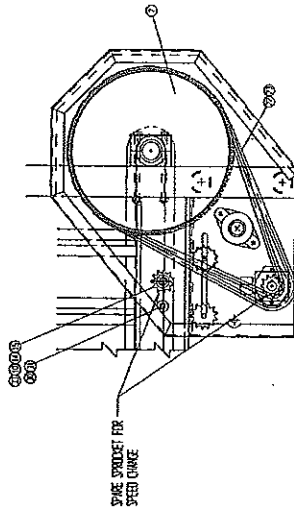
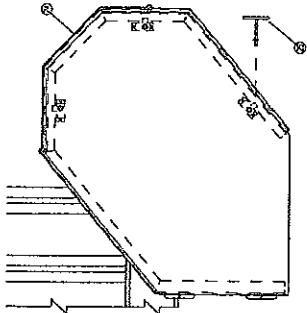
DIRS 1 20150



INSIDE WIDTH (REF) IS 3/4

CHAIN CENTERS (REF) IS

(CENTERS CUT AWAY)

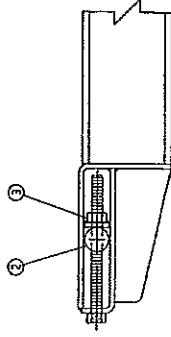
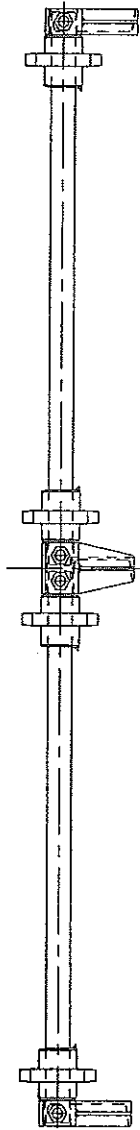
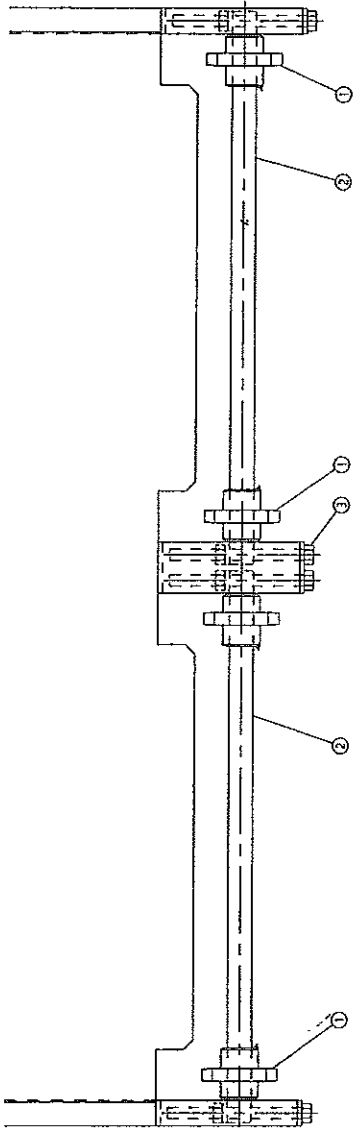


SPARE SPROCKET FOR SPEED CHANGE

C	REV. FOR SPROCKET BY SIZE ONE	UF	06/12/00
B	REVISION	RF	1/29/00
A	REV. FOR P/B	UF	11/29/00
REV.	REV.	REV.	REV.

QTY	REV.	PART NO.	DESCRIPTION
2	-	90051	ROLLER - R20 127
2	-	-	-
21	1	-	MT. NUTS X RUD 5/16
21	1	-	WASHER, FLAT CUT RUD 5/16
20	-	-	-
28	-	-	-
27	-	-	-
26	-	-	-
25	1	70056	LATCH KEY
24	1	70084	CHAIN SHT COVER
23	4	-	END LINK R20
22	2	-	CHAIN, ROLLER EVITED R20 X 1/2
21	2	-	WASHER - RUBER 26 X 1 1/2 IN
20	2	-	BOLT - RAG LIX - 3/8 X 3/4
19	4	-	NUT, SDRR - C NC RUD 1/2
18	4	-	BOLT, FLAT HEAD 1/2 X 2
17	2	-	BOLT, NC R20 5/8 X 6
16	2	-	HEX CAP SCREW 5/8 X 2 1/2
15	24	-	WASHER, FLAT - CUT RUD 5/8
14	10	-	NUT, NUTS X RUD 5/8
13	4	-	BOLT, NC R20 5/8 X 9
12	3	-	BRACKET, RUD DRIVE
11	-	-	-
10	2	-	SPROCKET, 60P-11 X 1 1/4
9	2	-	SPROCKET, 60P-13 X 5/8-11/16
8	2	-	SPROCKET, 60P-2 X 1 1/4
7	2	-	SPROCKET, RUD DRIVE - 60P
6	1	-	SWFT, RUD DRIVE
5	-	-	-
4	-	-	-
3	-	-	-
2	-	-	-
1	8	70013	CHAIN, RUD - SECTION - 10FT

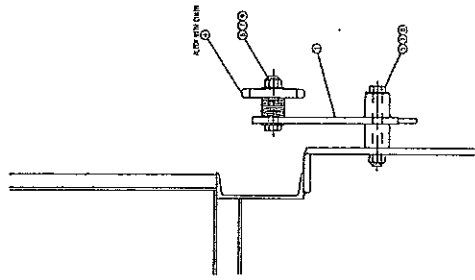
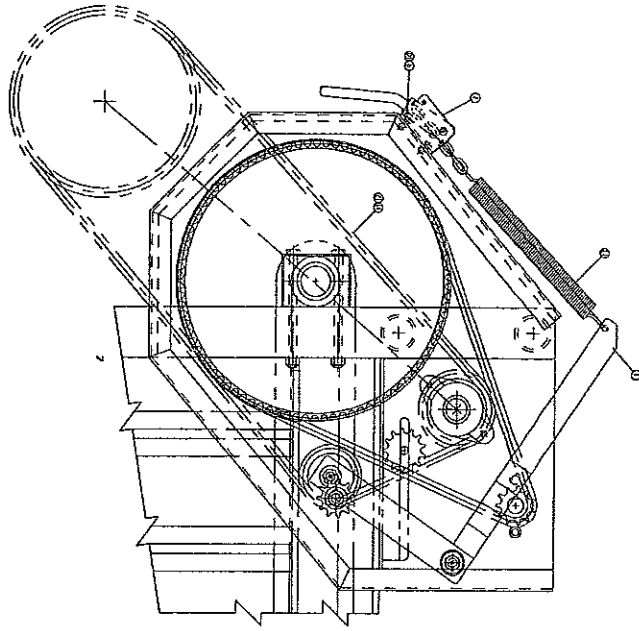
PARTS COMPANY		REV. DATE
FLOOR CHAIN DRIVE ASH		REV. DATE
REV.	REV.	REV.



DTRKS # 195940

3	4	B	700402	TENSIONER ASM, FRONT
2	2	B	700194	SHAFT, IDLER
1	4	-	700246	SPROCKET, POLYURETHANE 1 15/16"
ITEM	QTY.	SIZE	PART NO.	DESCRIPTION
P.O. BOX 100 101 MAIN ST.				
PARMA COMPANY PARMA, OHIO 44130				
TENSIONER ASM, FRONT				
MANUFACTURING TOLERANCES (UNLESS OTHERWISE SPECIFIED)		DATE: 11/10/00	BY: [Signature]	REV. ASSEMBLY: -
FRACTIONS ± 1/16		APPROVED: [Signature]	DATE: 11/10/00	SHEET 1 OF 1
DECIMALS ± .010		DRAWING NO. C700325		REV. -
ANGLES ± 1°		SCALE 1/8"		REV. 1/8"

A	CORRECT MISC TYPED'S	RK	1/31/01
REV.	REVISIONS	BY	DATE



DIRKS # 20428D

ITEM	QTY.	SIZE	PART NO.	DESCRIPTION
13	1	-	700273	SPR-EXT-3/16 X 1.050 X 14 3/8
12	1	-	700259	CON LINK #100
11	1	-	700258	CHAIN ROLLER RIVETED #100
10	4	-	-	NUT, NYLOCK NC PLTD 5/16
9	4	-	-	BOLT, NC GR5 PLTD 5/16 X 3/4
8	6	-	-	WASHER - FLAT CUT PLTD 3/4
7	2	-	-	NUT, NYLOCK NC - PLTD 3/4
6	1	-	-	BOLT, NC - GR5 PLTD 3/4 X 3 1/4
5	1	-	-	BOLT, NC - GR5 PLTD 3/4 X 6
4	1	A	700355	SPROCKET, #100 IDLER
3				
2	1	C	700354	TENSIONER LATCH ASM
1	1	B	700353	TENSIONER ARM ASM
ITEM	QTY.	SIZE	PART NO.	DESCRIPTION

P.O. BOX 197
100 MAIN ST.
PARMA, OHIO 44130

PARMA COMPANY

CHAIN AND TENSIONER ASSEMBLY

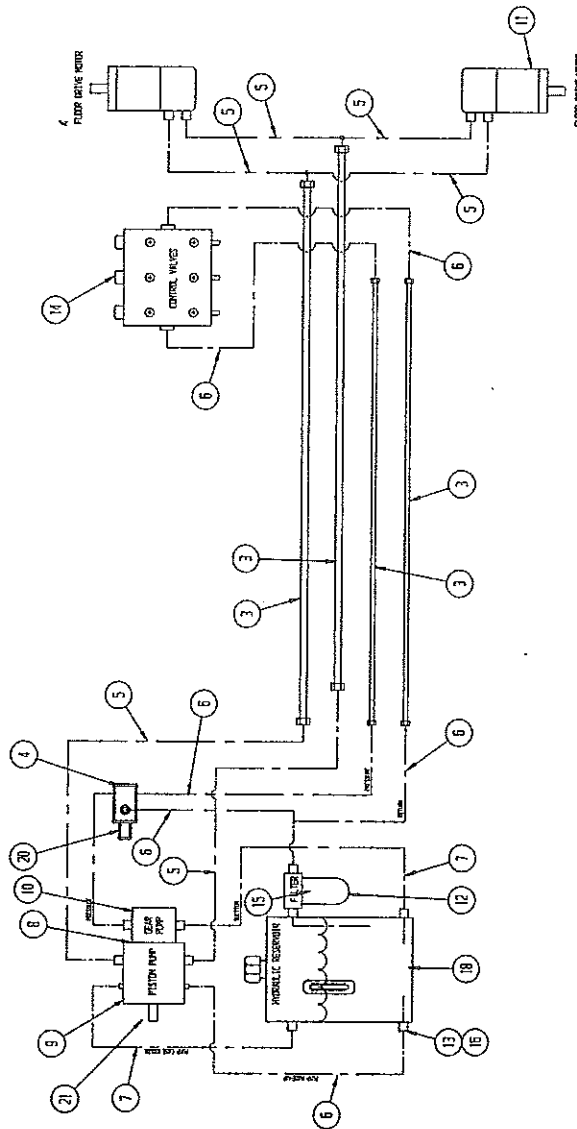
INDUSTRIAL RELIANCE
P.O. BOX 197
100 MAIN ST.
PARMA, OHIO 44130

DATE: 1/31/01
BY: RK
REVISIONS: 1

APPROVED: [Signature]
DATE: 1/31/01

DRAWING NO. C700352
REV. 1
SCALE 1/8"

NOT ILLUSTR.



NOT ILLUSTR.

F	ITEM #18 WAS 700291, ADDED #16	RK	8/7/01
E	ITEM #4 WAS 720560 CARTRIDGE	RK	7/12/01
D	ADDED #20, & #4 #21, DELETED #700220	RK	4/27/01
C	ADDED DWG SIZE TO ITEM #19	RK	3/27/01
B	ADDED VENDOR # TO ITEM #14	RK	1/31/01
A	ADDED ITEM #19	RK	1/18/01
REV.	REVISIONS	BY	DATE

21	1	-	700559	COUPLER, 5016 1" BORE
20	1	-	264887	CARTRIDGE, RELIEF VALVE
19	1	A	700514	CLEVIS
ITEM	QTY.	SIZE	PART NO.	DESCRIPTION

18	1	0	700555	RESERVOIR, HYDRAULIC
17	1	-	700277	SHIFT CABLE - 82"
16	1	-	-	REDUCER, 1 1/2 - 1 NPT
15	1	-	700226	ZINGA FILTER HEAD 3/4 NPT
14	1	-	700222	VALVE, PARKER #BV18SS012HX3
13	2	-	700232	BALL VALVE - 2 PORT
12	1	-	700225	ZINGA FILTER ELEMENT
11	2	-	311092	HYDR, MOTOR - 104-1228
10	1	-	700219	PUMP, EATON GEAR TYPE
9	1	-	700217	PUMP, EATON PISTON TYPE 1" KEVE
8	1	-	700218	O-RING - 1/16 X 3 1/4 OD
7	1	-	-	HOSE, HYDR - 1
6	1	-	-	HOSE, HYDR - 1/2
5	1	-	-	HOSE, HYDR - 3/4
4	1	-	700560	HOUSING, RELIEF VALVE
3	2	-	-	TUBE HYD, 3/4 X .083 WALL
2				
1	1	B	700323	ELECTRICAL CONTROLS ASM
ITEM	QTY.	SIZE	PART NO.	DESCRIPTION

P.O. BOX 190
107 MAIN ST.

PARMA COMPANY
PARMA, OHIO
43054

MANUFACTURING TOLERANCES
(UNLESS OTHERWISE SPECIFIED)

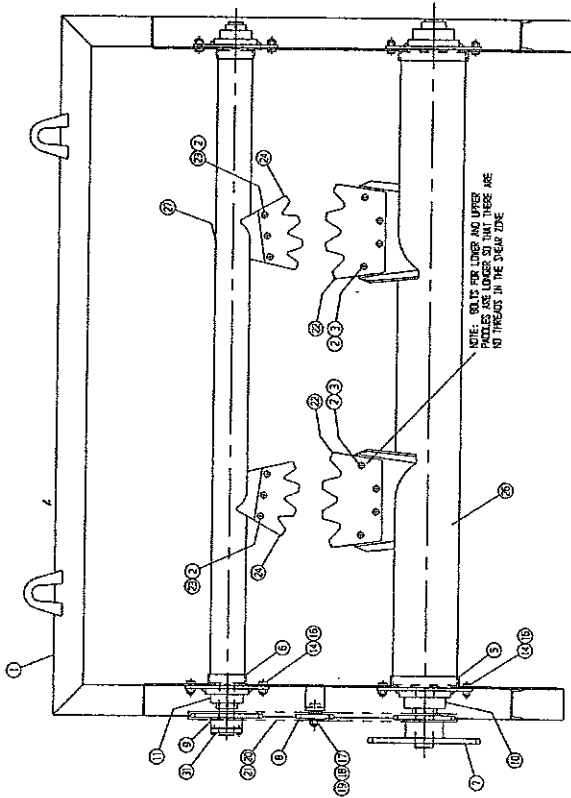
FRACTIONS ± 1/16
DECIMALS ± .010
ANGLES ± 1°

DRAWING: LF 11/20/00 NEXT ASSEMBLY: -
APPROVED: SHEET 1 OF 1

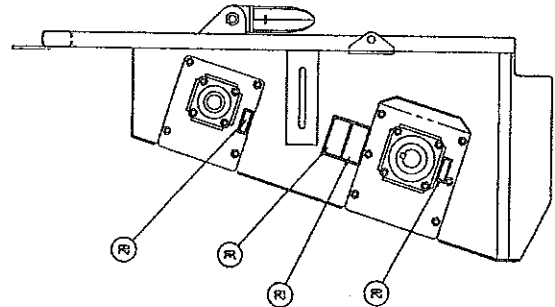
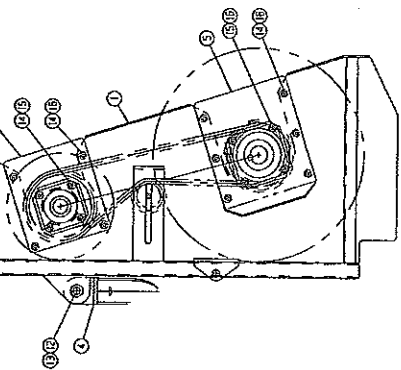
SCALE 1/4

REV. 1/4

DRAWING NO. B700170



NOTE: BOLTS FOR LOWER AND UPPER
PACKAGES ARE LONGER SO THAT THERE ARE
NO THREADS IN THE VIEW ZONE



DETAILED PLACEMENT FOR SIDE

ITEMS / QUANTITY

31	1	90016	BUSHING, IN-15/16
30	1	70054	BEAL, TYP PANS AND FEET
29	1	70053	BEAL, DO NOT ENTER OR ADJUST
28	2	70057	BEAL, GREASE CAN
27	0	70058	BEATER R.D., TOP
26	1	70059	BEATER R.D., BOTTOM
25	1	-	-
24	24	70010	PAWLE, BEATER - TP
23	2	-	BOLT, 1/2" X 3/4"
22	24	70021	PAWLE, BEATER - BOTTOM
21	1	90027	DRUM LINK, RD
20	1	90012	DRUM ROLLER RIVETED, RD
19	6	-	WASHER, FLAT DRUM 3/4"
18	1	-	NUT, WIDE, 1/2" X 3/4"
17	1	-	BOLT, 1/2" X 3/4" X 3"
16	20	-	BOLT, 1/2" X 3/4" X 1 1/2"
15	16	-	BOLT, 1/2" X 3/4" X 2"
14	35	-	NUT, WIDE, 1/2" X 3/4"
13	2	-	NUT, WIDE, 1/2" X 3/4"
12	2	-	BOLT, 1/2" X 3/4" X 1 1/2"
11	2	90021	BEARING, 4-BALL FG - 1 15/16
10	2	70025	BEARING, 4-BALL FG - 2 7/8
9	1	90070	SPURGE, 80028 X 1 15/16 X 1 1/2
8	1	90073	SPURGE, 80028 X 1 15/16 X 1 1/2
7	1	70050	SPURGE, DOUBLE
6	2	70026	PLATE, TOP BEARING
5	2	70021	PLATE, BOTTOM BEARING
4	2	70025	BRP-IN LANCE ASH
3	55	-	BOLT, 1/2" X 3/4" X 2"
2	158	-	NUT, WIDE, 1/2" X 3/4"
1	1	70024	SPREADER DRUMS, ASP
ITEM NO.	QTY	SIZE	DESCRIPTION

PARMA COMPANY	
MANURE SPREADER ASH	
DATE	04/12/01
BY	UF
REV	BT
DATE	04/10/01
BY	UF
REV	BT
DATE	1/17/01
BY	BT
REV	BT
DATE	07/03/12
BY	BT
REV	BT